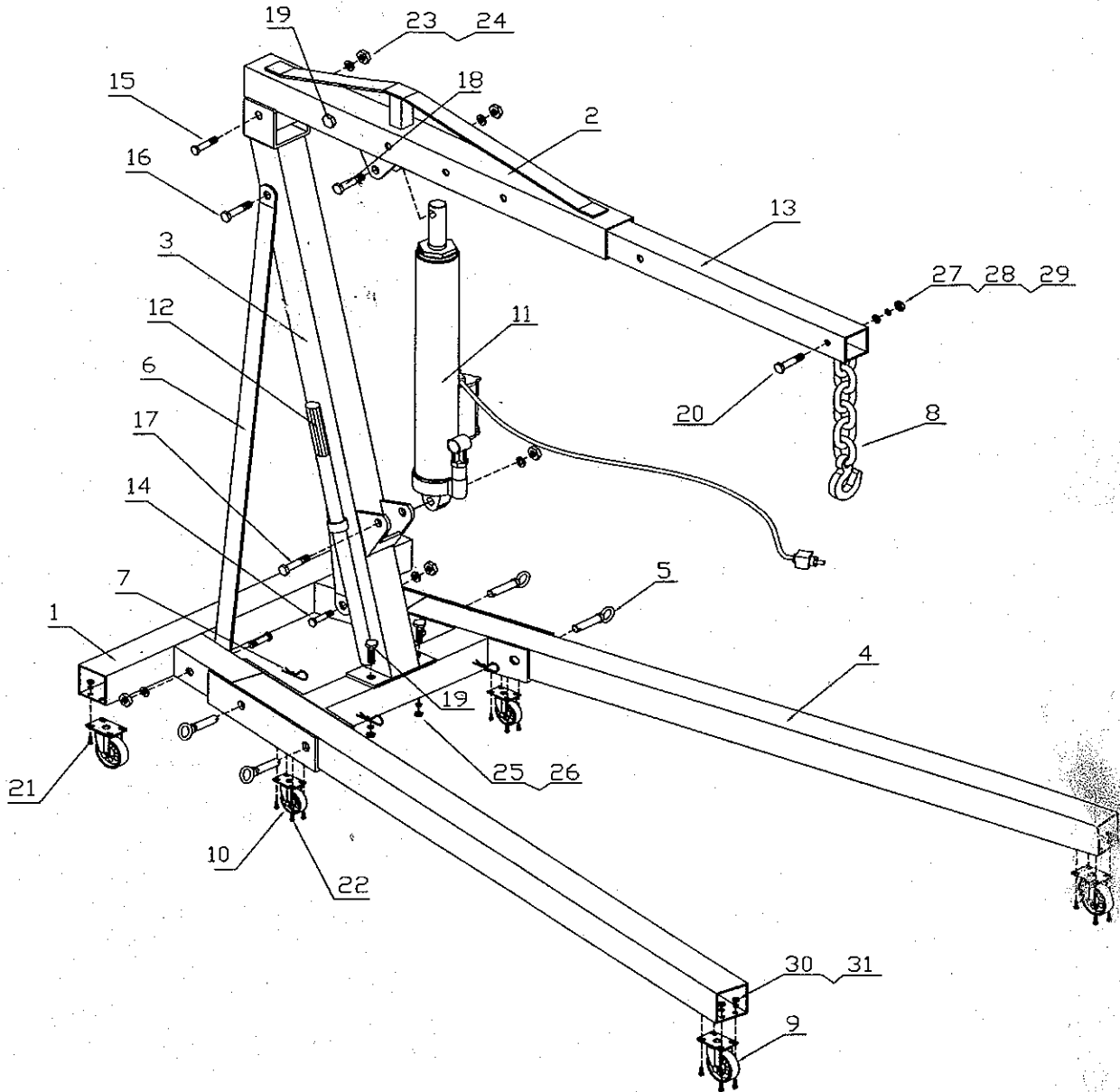


FOLDING AIR/HYDRAULIC SHOP CRANE

CAPACITY:4000LB



PART LIST

PART No	Description	Qty	PART No	Description	Qty	PART No	Description	Qty
01	Base	1	12	Handle	1	23	Nut M16	6
02	Boom	1	13	Boom Extension	1	24	Flat Washer ø16	6
03	Main Support Post	1	14	Bolt M16×100	2	25	Nut M14	3
04	Leg	2	15	Bolt M16×120	1	26	Flat Washer ø14	3
05	Lock Pin	4	16	Bolt M16×110	1	27	Nut M12	1
06	Support Strap	2	17	Bolt M16×90	1	28	Flat Washer ø12	1
07	Split "R" Pin	4	18	Bolt M16×80	1	29	Lock Washer ø12	1
08	Chain & Hook Assembly	1	19	Bolt M14×100	3	30	Nut M8	16
09	3-1/2" Swivel Castor	4	20	Bolt M12×80	1	31	Lock Washer ø8	24
10	3" Swivel Castor	2	21	Bolt M8×20	16			
11	Air Long Ram Jack	1	22	Bolt M8×12	8			