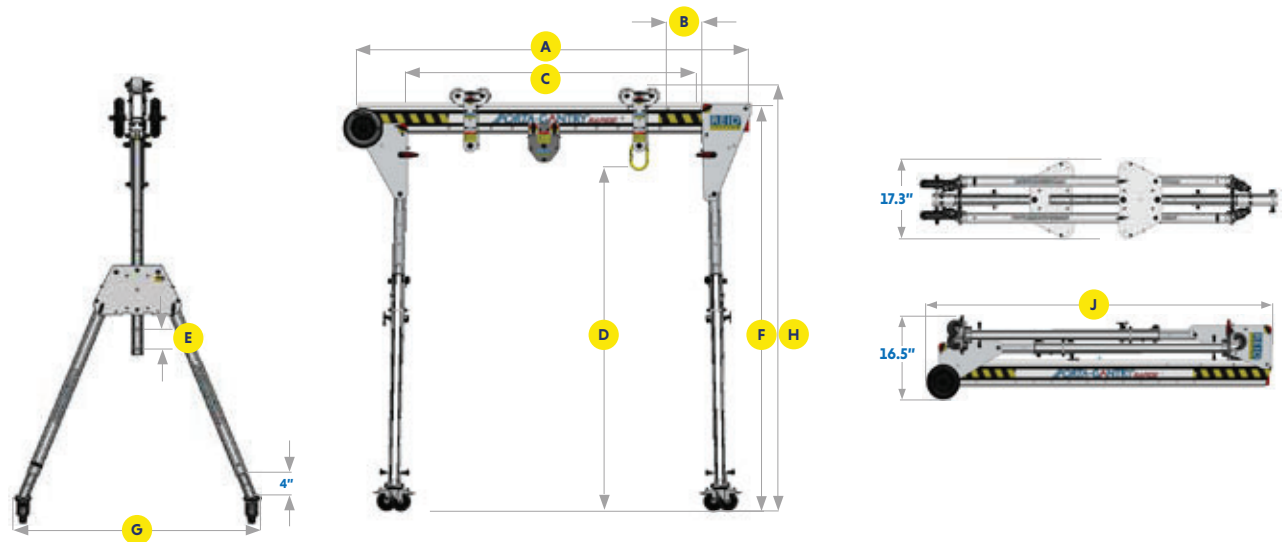


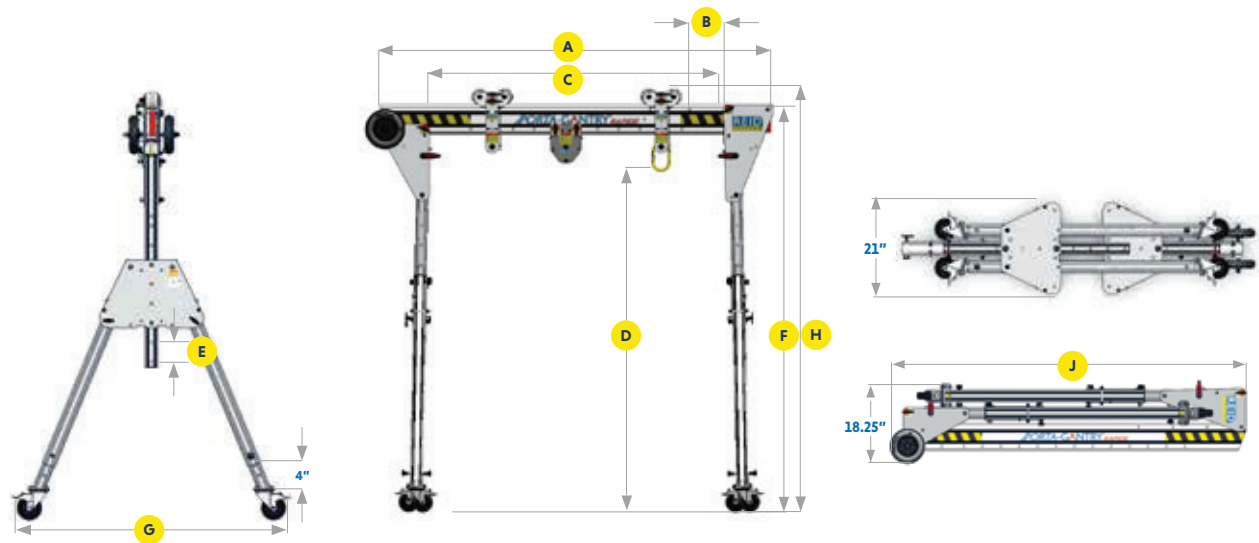
## PORTAGANTRY RAPIDE®

- A** Beam length
- B** Beam adjustment
- C** Clear operating span
- D** Height to lifting eye
- E** Height increment
- F** Height to top of beam
- G** Width
- H** Height to top of roller
- J** Folded dimensions



## PORTAGANTRY RAPIDE IT

- A** Beam length
- B** Beam adjustment
- C** Clear operating span
- D** Height to lifting eye
- E** Height increment
- F** Height to top of beam
- G** Width
- H** Height to top of roller
- J** Folded dimensions



Product Code	Dimensions												Capacity			Unit Weight		
	A Beam Length	B	CMin	CMax	DMin	DMax	E	FMin	FMax	G	HMin	HMax	J	Goods Capacity [lb]	Fall Arrest Capacity** No. of Person(s)	Personnel Positioning** [lb]	[lb]	
PGR	US-PGRS20J	6' 6¾"	2x8"	3' 7¼"	4' 11"	4' 9"	6' 8¾"	6x4"	5' 10"	7' 9½"	3' 9½"	6' 1¼"	8' ¾"	6' 10"	1100	1	550	73
	US-PGRS23J	7' 6½"	3 x 8"	3' 11¼"	5' 10¾"									7' 9¾"	880	1	440	77
	US-PGRM20J	6' 6¾"	2x8"	3' 7¼"	4' 11"	4' 9¼"	7' ¾"	7x4"	5' 10"	8' 1¾"	3' 11¾"	6' 1¼"	8' 5"	6' 10"	880	1	440	77
	US-PGRM23J	7' 6½"	3 x 8"	3' 11¼"	5' 10¾"									7' 9¾"				79

PGR1T	US-PGR1TS20	6' 6¾"	2x8"	3' 7½"	4' 11¼"	4' 8¼"	6' 4"	5x4"	5' 11¾"	7' 7½"	4' 2"	6' 3"	7' 10¾"	6' 9¾"	2200	2	1100	99						
	US-PGR1TS30	9' 10"	3 x 8"	6' 2½"	8' 2½"									10' 1¼"				117						
	US-PGR1TS40	13' 1½"	3 x 8"	6' 2½"	11' 6"									13' 4½"				128						
	US-PGR1TM20	6' 6¾"	2x8"	3' 7½"	4' 11¼"	5' 8½"	8' 0"	7x4"	6' 9¼"	9' ¾"	4' 10½"	7' ½"	9' 4"	7' 2½"				2200	2	1100	108			
	US-PGR1TM30	9' 10"	3 x 8"	6' 2½"	8' 2½"									10' 1¼"							119			
	US-PGR1TM40	13' 1¾"	3 x 8"	6' 2½"	11' 6"									13' 4½"							130			
	US-PGR1TT20*	6' 6¾"	2x8"	1' 11½"	3' 5¼"	6' 6"	9' 5½"	9x4"	7' 6½"	10' 6"	5' 6¾"	7' 9¾"	10' 9¾"	9' 3½"							2200	1	1100	117
	US-PGR1TT30*	9' 10"	3 x 8"	4' 7½"	6' 7½"									10' 1¼"										128
	US-PGR1TT40*	13' 1½"	3 x 8"	7' 10"	9' 9½"									13' 4½"										137

\*Trolley stops fitted to beam \*\*Ratings using ANSI standards. Contact REID for other standards.