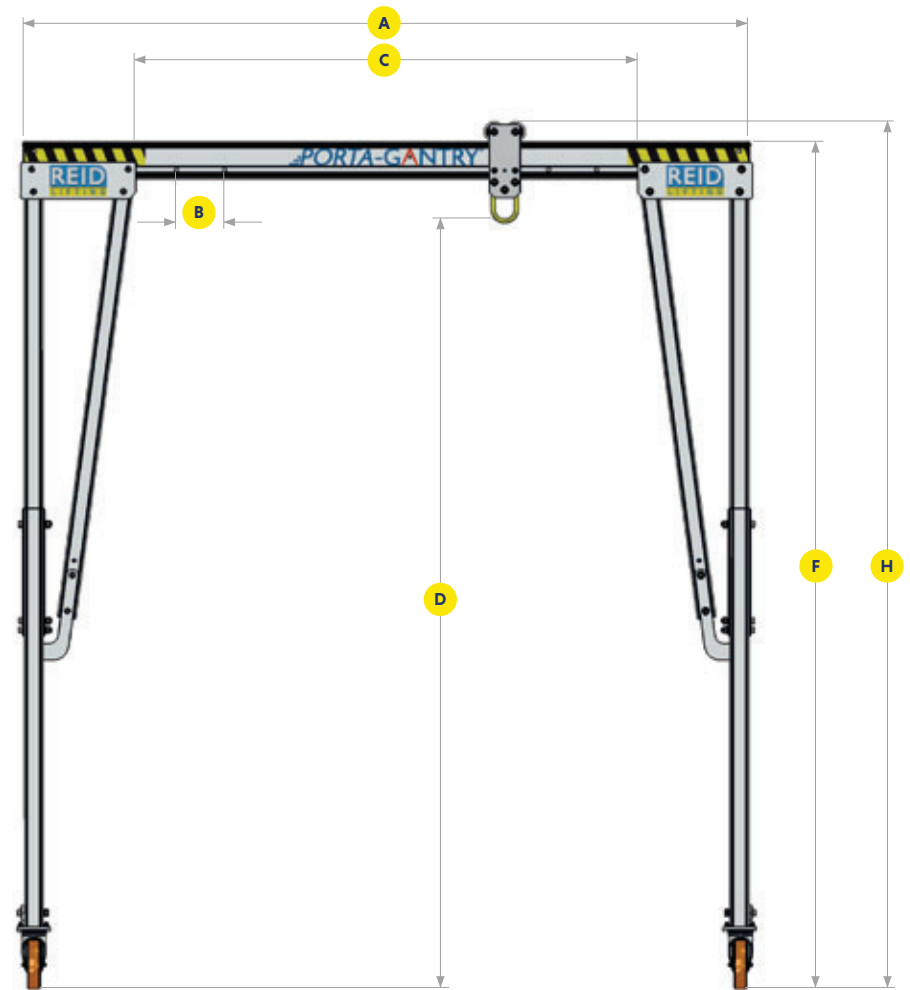
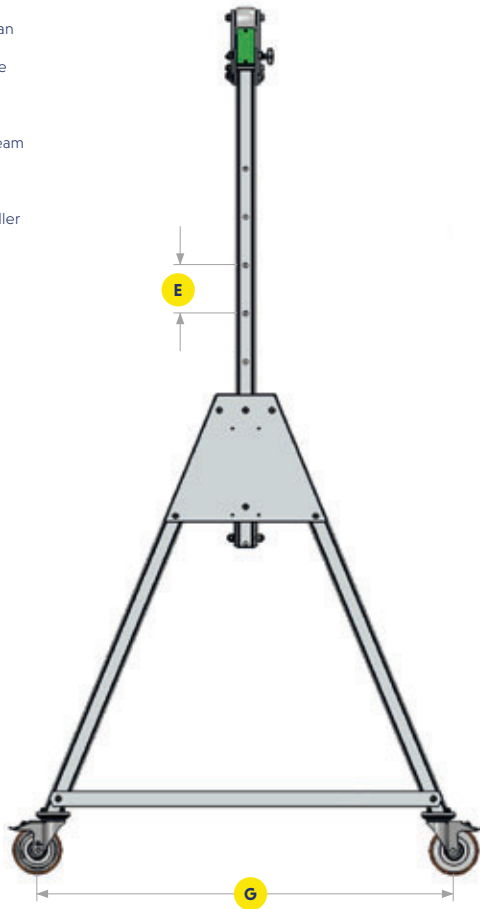


**PORTAGANTRY®**

- A** Beam length
- B** Beam adjustment
- C** Clear operating span
- D** Height to lifting eye
- E** Height increment
- F** Height to top of beam
- G** Width
- H** Height to top of roller



		Product Code	A Beam Length	B Beam Adjustment	C Clear Operating Span	Dmax Max height to lifting eye	Dmin Min height to lifting eye	E Height increment	F Max height to top of beam	G Width	Hmax Max height to top of roller	Hmin Min height to top of roller	Fall Arrest Capacity** No. of Person(s)	Personnel Lifting (lb)	Castor Diameter	Beam Profile	Weight (lb)
4400	Small	US-PGSS04400S-8A	8' 2½"	4 x 8"	5' 2¼"	7' 8¾"	5' 3¼"	5 x 6"	8' 9¼"	3' 11¾"	9' ½"	6' 7"	2	2200	6"	6" x 3"	196
		US-PGSS04400S-10A	9' 10"	4 x 8"	6' 9¾"	7' 8¾"	5' 3¼"	5 x 6"	8' 9¼"	3' 11¾"	9' ½"	6' 7"	2	2200	6"	6" x 3"	203
		US-PGSS04400S-13A	12' 10¼"	6 x 8"	9' 10"	7' 8¾"	5' 3¼"	5 x 6"	8' 9¼"	3' 11¾"	9' ½"	6' 7"	2	2200	6"	6" x 3"	218
		US-PGSS04400S-15A	15'	8 x 8"	11' ¾"	7' 8¾"	5' 3¼"	5 x 6"	8' 9¼"	3' 11¾"	9' ½"	6' 7"	2	2200	6"	6" x 3"	229
		US-PGSS04400S-18B	18' ½"	8 x 8"	15' ¼"	7' 8¾"	5' 3¼"	5 x 6"	8' 9¼"	3' 11¾"	9' ½"	6' 7"	2	2200	6"	6" x 3"	269
		US-PGSS04400S-27D	27' 6¾"	8 x 8"	24' 6½"	7' 8¾"	5' 3¼"	5 x 6"	8' 9¼"	3' 11¾"	9' ½"	6' 7"	2	2200	6"	10" x 3"	441
	Intermediate	US-PGSS04400I-8A	8' 2½"	4 x 8"	5' 2¼"	10' 5½"	7' 2¼"	5 x 8"	11' 5¾"	5' 8"	11' 9"	8' 5½"	2	2200	8"	6" x 3"	262
		US-PGSS04400I-10A	9' 10"	4 x 8"	6' 9¾"	10' 5½"	7' 2¼"	5 x 8"	11' 5¾"	5' 8"	11' 9"	8' 5½"	2	2200	8"	6" x 3"	269
		US-PGSS04400I-13A	12' 10¼"	6 x 8"	9' 10"	10' 5½"	7' 2¼"	5 x 8"	11' 5¾"	5' 8"	11' 9"	8' 5½"	2	2200	8"	6" x 3"	284
		US-PGSS04400I-15A	15'	8 x 8"	11' ¾"	10' 5½"	7' 2¼"	5 x 8"	11' 5¾"	5' 8"	11' 9"	8' 5½"	2	2200	8"	6" x 3"	295
		US-PGSS04400I-18B	18' ½"	8 x 8"	15' ¼"	10' 5½"	7' 2¼"	5 x 8"	11' 5¾"	5' 8"	11' 9"	8' 5½"	2	2200	8"	6" x 3"	335
		US-PGSS04400I-27D	27' 6¾"	8 x 8"	24' 6½"	10' 5½"	7' 2¼"	5 x 8"	11' 5¾"	5' 8"	11' 9"	8' 5½"	2	2200	8"	10" x 3"	507
	Tall	US-PGSS04400T-8A	8' 2½"	4 x 8"	5' 2¼"	13' 4½"	9' 5¼"	6 x 8"	14' 5¼"	6' 7¼"	14' 8½"	10' 9¼"	2	2200	8"	6" x 3"	289
		US-PGSS04400T-10A	9' 10"	4 x 8"	6' 9¾"	13' 4½"	9' 5¼"	6 x 8"	14' 5¼"	6' 7¼"	14' 8½"	10' 9¼"	2	2200	8"	6" x 3"	295
		US-PGSS04400T-13A	12' 10¼"	6 x 8"	9' 10"	13' 4½"	9' 5¼"	6 x 8"	14' 5¼"	6' 7¼"	14' 8½"	10' 9¼"	2	2200	8"	6" x 3"	311
		US-PGSS04400T-15A	15'	8 x 8"	11' ¾"	13' 4½"	9' 5¼"	6 x 8"	14' 5¼"	6' 7¼"	14' 8½"	10' 9¼"	2	2200	8"	6" x 3"	322
		US-PGSS04400T-18B	18' ½"	8 x 8"	15' ¼"	13' 4½"	9' 5¼"	6 x 8"	14' 5¼"	6' 7¼"	14' 8½"	10' 9¼"	2	2200	8"	6" x 3"	362
		US-PGSS04400T-27D	27' 6¾"	8 x 8"	24' 6½"	13' 4½"	9' 5¼"	6 x 8"	14' 5¼"	6' 7¼"	14' 8½"	10' 9¼"	2	2200	8"	10" x 3"	534
6600	Tall	US-PGSS06600T-8A	8' 2½"	4 x 8"	5' 2¼"	13' 4½"	9' 5¼"	6 x 8"	14' 5¼"	6' 7¼"	14' 8½"	10' 9¼"	2	3300	8"	6" x 3"	395
		US-PGSS06600T-10A	9' 10"	4 x 8"	6' 9¾"	13' 4½"	9' 5¼"	6 x 8"	14' 5¼"	6' 7¼"	14' 8½"	10' 9¼"	2	3300	8"	6" x 3"	401
		US-PGSS06600T-13B	12' 10¼"	6 x 8"	9' 10"	13' 4½"	9' 5¼"	6 x 8"	14' 5¼"	6' 7¼"	14' 8½"	10' 9¼"	3	3300	8"	6" x 3"	434
		US-PGSS06600T-15B	15'	8 x 8"	11' ¾"	13' 4½"	9' 5¼"	6 x 8"	14' 5¼"	6' 7¼"	14' 8½"	10' 9¼"	3	3300	8"	6" x 3"	448
		US-PGSS06600T-18D	18' ½"	8 x 8"	15' ¼"	13' 4½"	9' 5¼"	6 x 8"	14' 5¼"	6' 7¼"	14' 8½"	10' 9¼"	3	3300	8"	10" x 3"	540
		US-PGSS06600T-27D	27' 6¾"	8 x 8"	24' 6½"	13' 4½"	9' 5¼"	6 x 8"	14' 5¼"	6' 7¼"	14' 8½"	10' 9¼"	3	3300	8"	10" x 3"	639
11000	Tall	US-PGSS11000T-15D	15'	8 x 8"	11' ¾"	13' 3½"	9' 4¼"	6 x 8"	14' 8¾"	6' 7½"	15' 1½"	11' 2¼"	3	5500	8"	10" x 3"	659
		US-PGSS11000T-18D	18' ½"	8 x 8"	15' ¼"	13' 3½"	9' 4¼"	6 x 8"	14' 8¾"	6' 7½"	15' 1½"	11' 2¼"	3	5500	8"	10" x 3"	690

\*\*Ratings using ANSI standards. Contact REID for other standards.