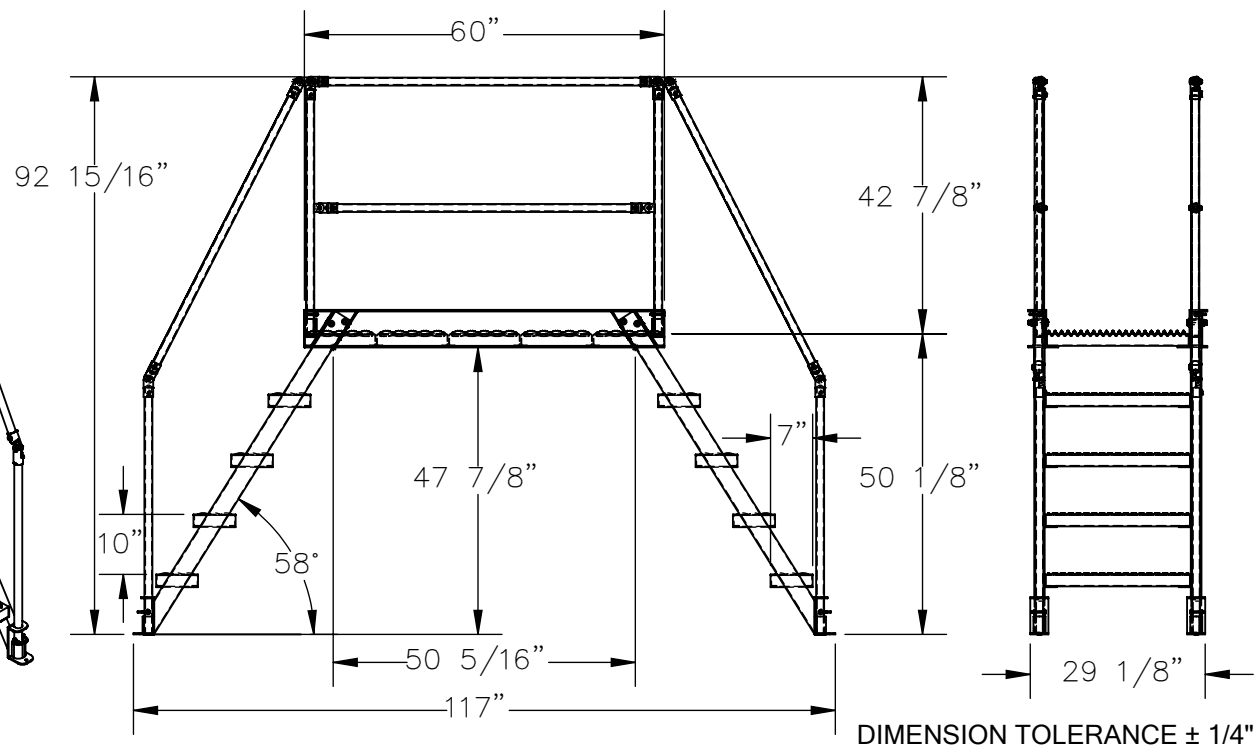
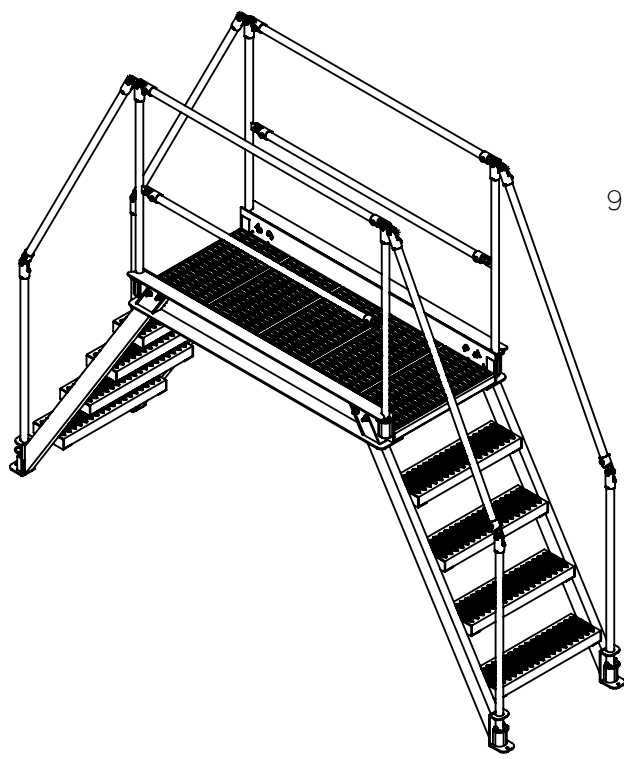


FIVE STEP, ALUMINUM, CROSS OVER - COL-AL-5-46-44

APPROX WEIGHT: 204.14 lbs.
 DOES NOT INCLUDE WEIGHT OF POWER OR PACKAGING!!!

*** ANY ADDITIONS, DELETIONS, OR OMISSIONS MUST BE CORRECTED ON THIS DRAWING AS THIS DRAWING WILL BE CONSIDERED ALL INCLUSIVE ***
 ALL GRAPHICS PROVIDED ARE FOR REFERENCE ONLY. IF CERTAIN DIMENSIONS ARE CRITICAL PLEASE VERIFY THOSE DIMENSIONS WITH YOUR SALESPERSON



DIMENSION TOLERANCE ± 1/4"

STANDARD FEATURES:
 MODEL NUMBER: COL-AL-5-46-44
 OVERALL SIZE
 29 1/8" W x 117" L x 92 15/16" H
 CLEARANCE SPAN:
 50 5/16" W x 47 7/8" H
 TOP PLATFORM HEIGHT: 50 1/8"
 STEP HEIGHT SPACING: 10"
 STEP DEPTH: 7"
 STEP & PLATFORM WIDTH: 29 1/8"
 CLIMB ANGLE: 58°
 OVERALL CAPACITY: 500 LBS.
 ALUMINUM CONSTRUCTION

SPECIAL FEATURES:
 NONE

APPROVAL

I, THE UNDERSIGNED, AGREE THAT THE PRODUCT AS REPRESENTED SATISFIES DESIGN AND DIMENSION REQUIREMENTS. I ALSO ACKNOWLEDGE MY DUTY TO CONFIRM PRODUCT AND INSTALLATION COMPLIANCE WITH ALL APPLICABLE FEDERAL, STATE AND LOCAL REGULATIONS AND STANDARDS.
UNITS REQUIRING APPROVAL DRAWINGS OR MODIFIED ARE NON-RETURNABLE
 As drawn As marked

Signed: _____ Date: _____
 Printed Name: _____
 LEAD TIME WILL START UPON RECEIPT OF SIGNED APPROVAL DRAWING

| | | |
|------------------------|-------------|------------|
| DISTRIBUTOR'S NAME: | | P.O.# |
| VESTIL MANUFACTURING | | X |
| DRAWN BY: T. HARKRADER | | W.O.# |
| DATE: 8/25/21 | SALES: X | |
| REFERENCE: X | SCALE: 1:32 | FILE NAME: |
| QUOTED LEAD TIME: X | QUOTE # X | 44-007-776 |