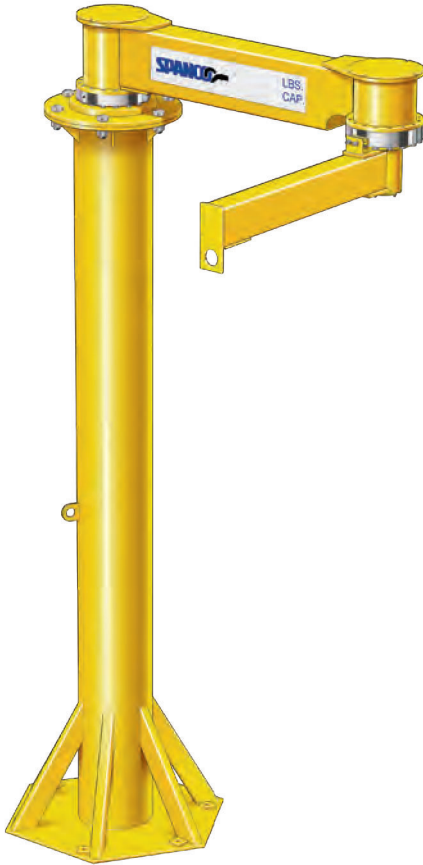


JIB CRANES ARTICULATING

400, 401, 402 SERIES

EASILY REACH MORE PLACES

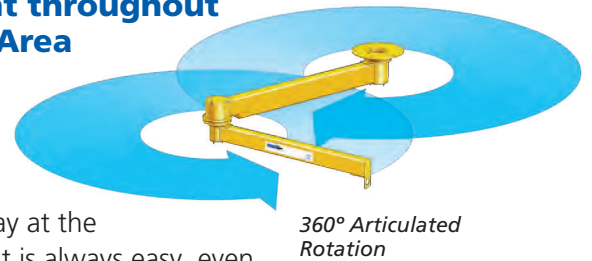


402 Series
Articulating Jib Crane
Freestanding

Spanco Articulating Jib Cranes can lift and precisely place loads around corners and columns, reaching into or under machinery and containers. They can even lift items through doorways (for example, into a paint booth) or deep into equipment under construction or repair. These jib cranes support nearly any type of manipulator, balancer, or hoist.

Effortless Movement throughout Its Entire Coverage Area

Traditional jibs have greater resistance when loads are on the inner half of the boom. But with our articulating cranes, loads stay at the end of the crane. Movement is always easy, even when positioning loads near the base of the crane's mast. So, workers maintain their speed and productivity, and all of the crane's coverage area can be fully utilized.



360° Articulated
Rotation

The Industry's Best Headroom

Spanco Articulating Jib Cranes offer more headroom above and below the boom than any other brand of articulating jib cranes. Their outstanding headroom permits installation in tight locations.

Totally Internal Air Piping

Spanco is the only manufacturer to offer internally piped air power for articulating jib cranes. Eliminate additional clutter and wear-and-tear without the use of cable/hose festooning.

This Spanco 500-Pound Freestanding Articulating Jib Crane includes a custom-engineered, inverted knuckle boom to provide additional headroom.



SPANCO ARTICULATING JIB CRANES

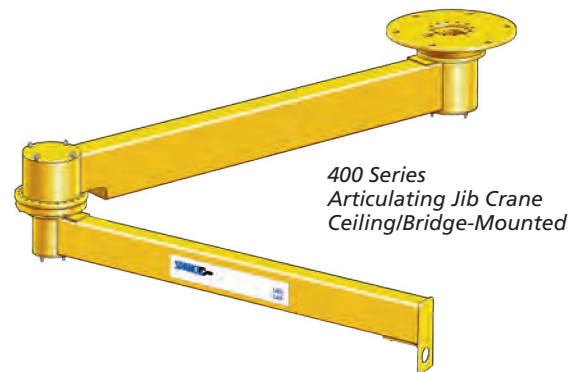
Articulating Jib Cranes	Boom Rotation	Capacities	Spans	Height Under Boom	Powered Rotation
400 Series Ceiling/Bridge Mounted	360° Both arms	Up to 2,000 lbs	Up to 16'	Up to 14' (Freestanding 402 Series)	N/A
401 Series Wall-Mounted	180° Inner arm 360° Outer arm				
402 Series Freestanding	360° Both arms				

ARTICULATING JIB CRANES IN THREE DESIGNS

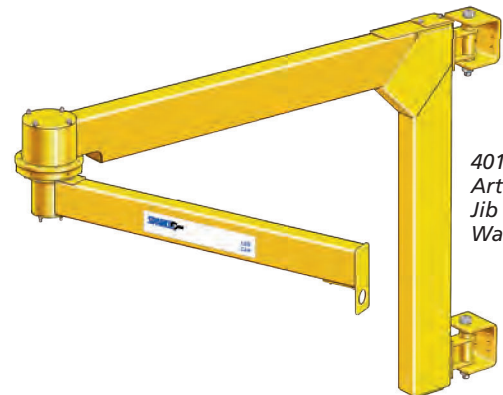
- Freestanding (foundation-mounted to reinforced concrete foundation)
- Ceiling-mounted or bridge-crane mounted to further extend the crane's coverage area
- Wall-mounted or column-mounted for individual work areas or to accommodate existing overhead cranes

OPTIONS FOR ARTICULATING JIB CRANES

- Electrification to any device supported on the end of the boom
- Compressed air power delivered via internal piping within the articulating boom
- Support for vacuum lifters



400 Series
Articulating Jib Crane
Ceiling/Bridge-Mounted



401 Series
Articulating Jib Crane
Wall-Mounted

This Spanco Articulating Jib Crane travels along an overhead bridge crane to allow one worker to lift sheetrock off multiple stacks spread over a large area. The 500-pound capacity jib crane is fitted with a 250-pound capacity vacuum lifter.

