

## Tie Rod Style Wall Bracket Jib Cranes

The model 311 tie rod style wall bracket jib crane is an economical jib crane solution designed for individual use in bays, along walls, in work cells, or as a supplement to overhead crane or gantry systems.

### Maneuverability

This design allows for a lighter beam weight, and when combined with bronze bushings and oil impregnated bronze thrust washers, it becomes the perfect solution for easy rotation and precise load positioning.

### Capacities & Spans

- Capacities up to 12 ton
- Standard Span lengths up to 35 feet

### Rotation

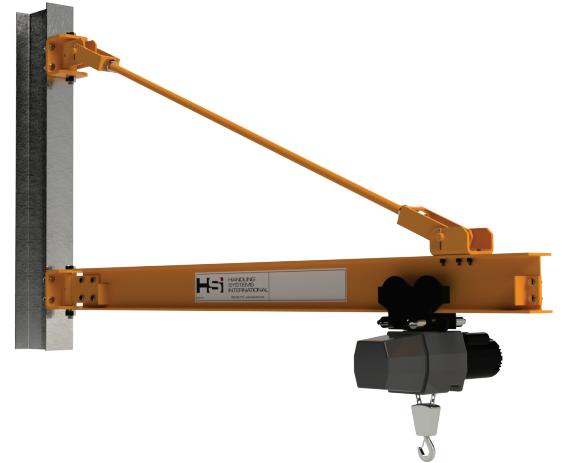
205+ degree rotation is standard

### Benefits Vs. Cantilever Style

- More economical solution
- Less beam deflection
- Smaller beam sizes
- Easier to rotate even when used at higher capacities
- Greater hook travel to move load closer to mounting point
- Easy to adjust during and after installation

### Options & Accessories

- Tight Wire Kit (Festooning/Tagline)
- Rotation Stops
- Motorized Rotations
- Outdoor Applications
- Hoist & Trolley Packages



### Easy to Install

- Single tie rod, right hand threaded at both ends for easy adjustment
- All connections are bolted, with removable bolt on trolley end stops
- Grease fittings included for easy field lubrication

### Special Applications

- Motorized Rotation Available
- Spark and Explosion Proof Options Available
- Stainless Steel & Foodgrade Options Available

### D.I.Y. Fitting Kits Available

