

8 7 6 5 4 3 2 1

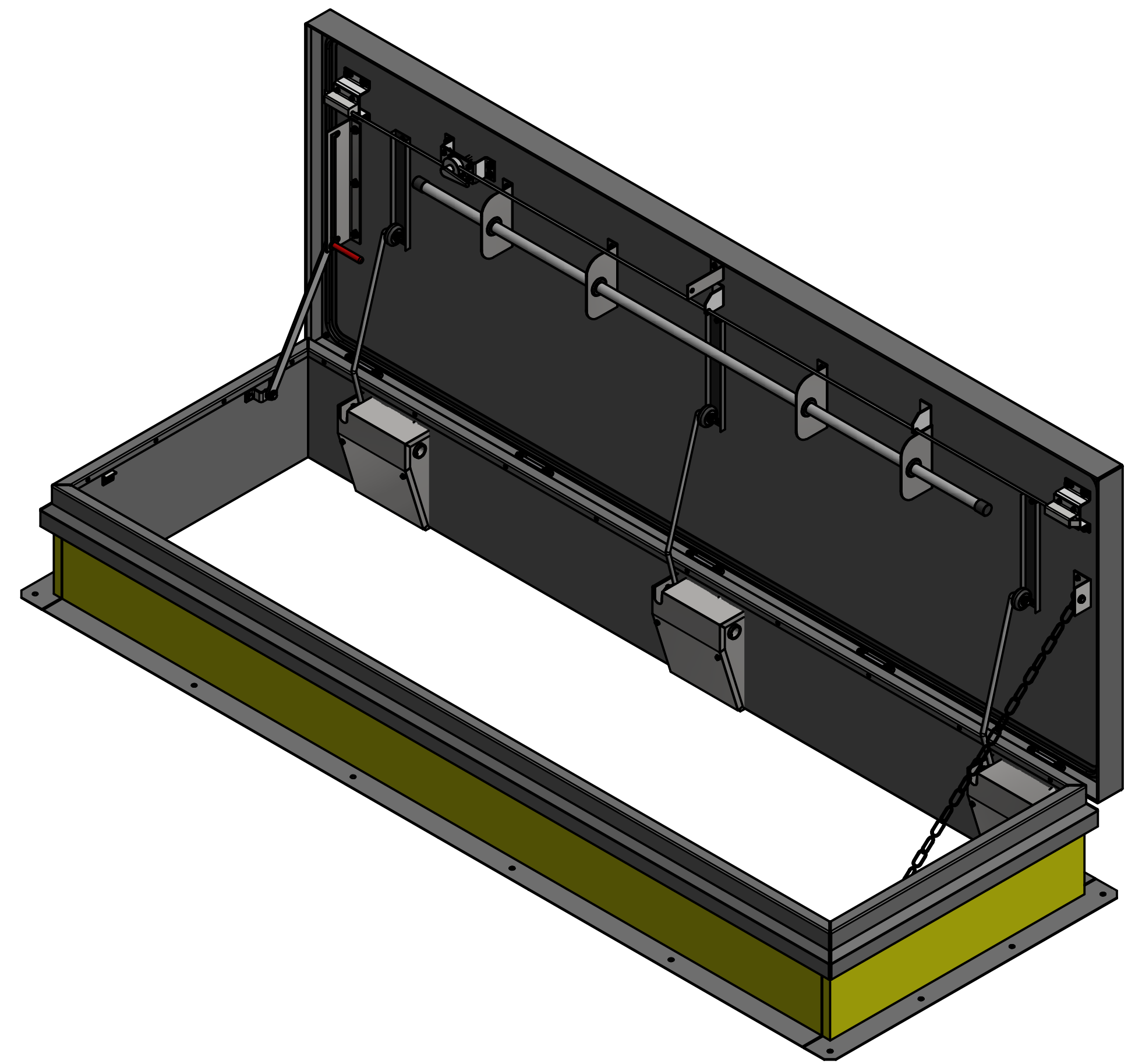
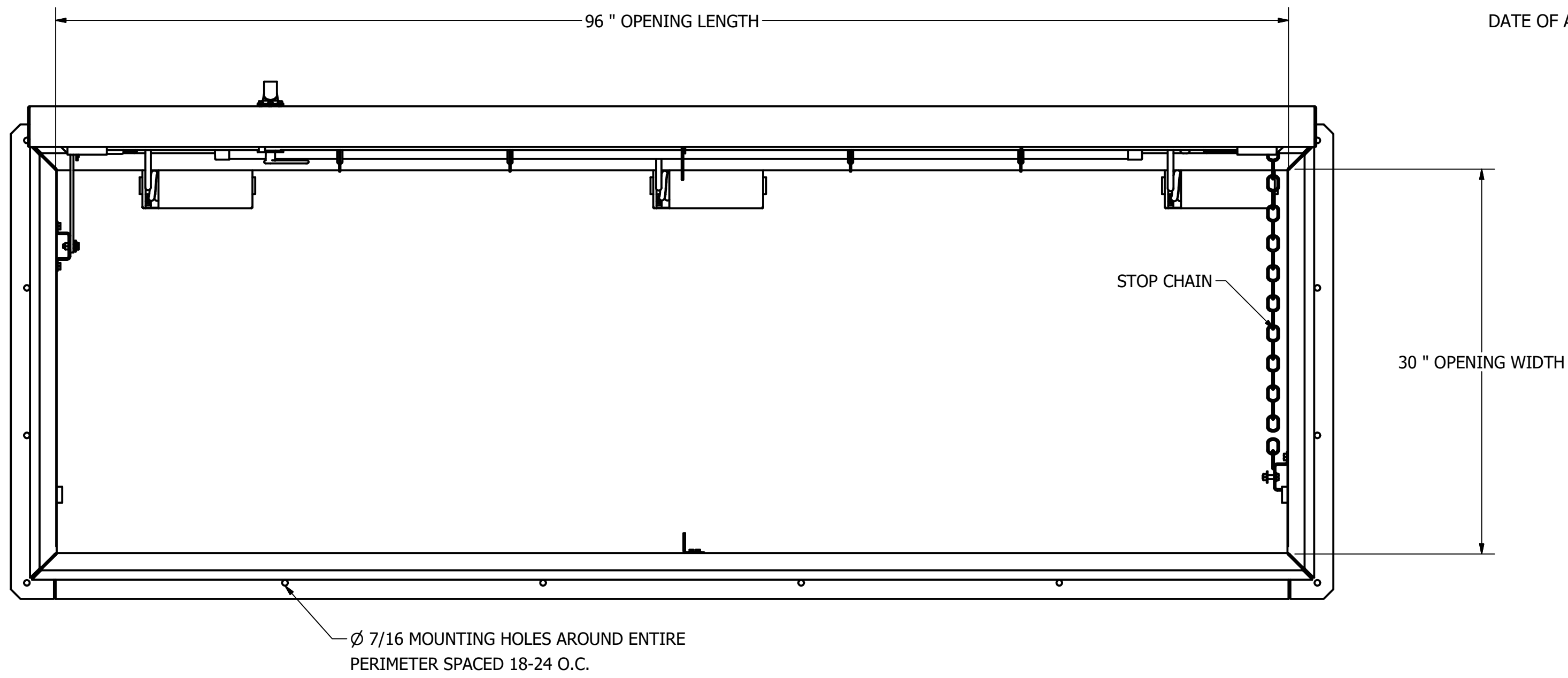
ORDER WILL NOT BE RELEASED FOR FABRICATION UNTIL SIGNED COPY IS RECEIVED.

VERIFICATION AND APPROVAL OF GENERAL ARRANGEMENT AND OVERALL DIMENSIONS FOR THIS DOCUMENT ARE REQUIRED BEFORE THE ORDER IS ENTERED FOR MANUFACTURING.

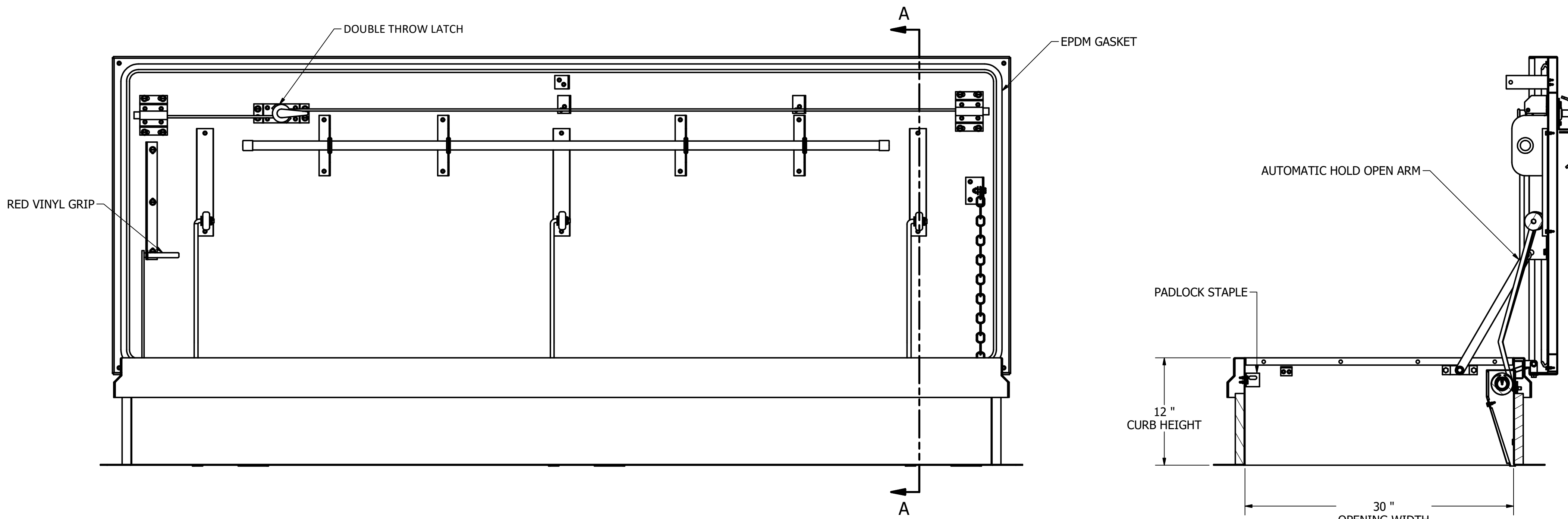
APPROVAL SIGNATURE _____

TITLE HELD _____

DATE OF APPROVAL _____



ISOMETRIC VIEW



SECTION A-A

NOTES:

- SIZE: 2'-6" X 8'-0"
- 1. CURB MATERIALS
 - a. 14 GA GALVANIZED CURB
- 2. CURB CAP MATERIALS
 - b. 14 GA GALVANIZED CURB CAP
- 3. CURB INSULATION THICKNESS AND MATERIALS
 - c. 1" RIGID FIBERBOARD CURB INSULATION
- 4. COVER MATERIALS
 - d. 14 GA GALVANIZED COVER
- 5. COVER LINER MATERIALS
 - e. 22 GA GALVANIZED COVER LINER
- 6. COVER INSULATION THICKNESS AND MATERIALS
 - f. 1" POLYSTYRENE COVER INSULATION
- 7. COVER RATED FOR 70PSF LIVE LOAD
- 8. COVER AND CURB ARE PAINTED WHITE
- 9. ZINC PLATED HARDWARE

DRAWN BC	4/25/2019	FIXFAST USA. TEL: 888 637 7872 www.fixfastusa.com 3921 Perry Blvd, Whitestown, IN 46075	
CHECKED CD		TITLE	
QA	TOLERANCE UNLESS SPECIFIED	KH3096 - 30in x 98in ROOF HATCH	
MFG	.XXX ± 0.005"	SIZE	D
APPROVED	.XX ± 0.01"	DWG NO	3501-512-9
	FRACT. ± 1/16"	SCALE	
	ANGLES ± 1°		REV A
			SHEET 1 OF 1

8 7 6 5 4 3 2 1