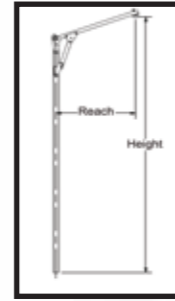


Analog Davits

Tuff Built Products Analog Davits are designed for a ultimate strength of 5000 Lbs (22.2kN)

Part #	Model Description	Reach	Height	Winch Mtg	Weight	Price
30095	Analog Series Davit, 48R- 168H	48"(122cm)	168"(427cm)	Anchor Point	93lbs(42.2kgs)	
50015	Analog Series Davit, 48R- 84H	48"(122cm)	168"(427cm)	Rear	105lbs(47.7kgs)	



Tuff Built has a variety of Analog series davits available, call for more information.

Pro-2 Series Bases

Replaced with 30525

PT# 30071

PT# 30072

Replaced with 30526

PT# 30073

Replaced with 30525

PT# 30093

Part #	Model	Weight	Price
30071	Pro-2 Base, Hitch Mount	62 lbs(28.kgs)	
30072	Pro-2 Base, "Bridge Barrier"	65 lbs(29.5kgs)	
30073	Pro-2 Base, Counterweight System	118 lbs(53.5kgs)	
30093	Pro-2 Base, Hitch Mount (30" mast max.)	54 lbs(24.5kgs)	

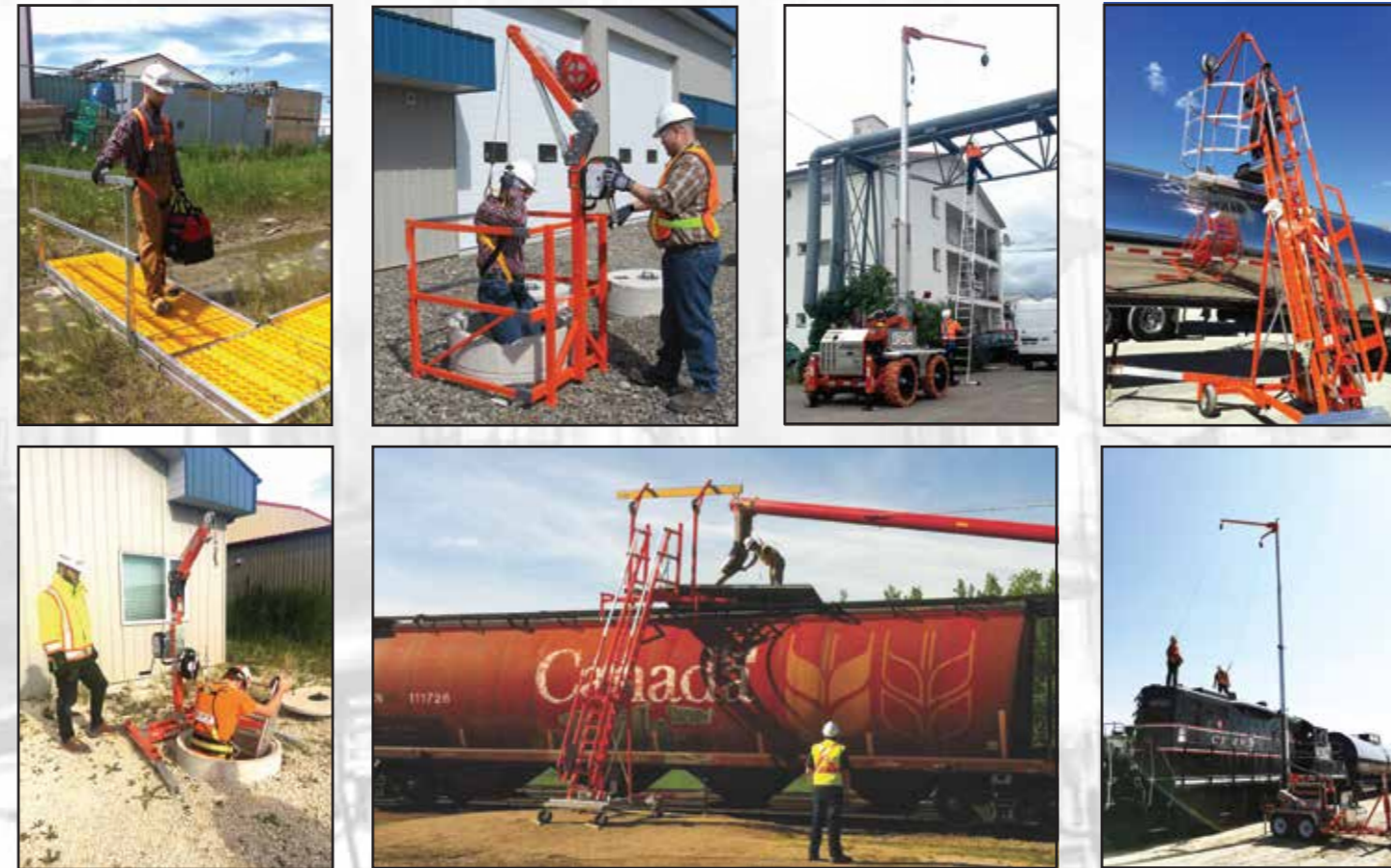
Permanent Bases



Finish	Core Mount	Flush Floor Mount (Existing Concrete)	Flush Floor Mount (Fresh Concrete)	Floor Mount	Deck Mount	Cap
CS-500 (Mild Steel)	30062	30021	30023	30031	30080	30019
Hot Dip Galvanized (Mild Steel)	30061	30018	30043	30048	30081	N/A
304 SS	30063	30022	30024	30030	30082	30069
316 SS	30064	30038	30039	30047	30083	30068

Other Product Categories:

1. Winches & Accessories
2. Self Retracting Lifelines & Accessories
3. Tripods & Accessories
4. Hoists, Davits & Accessories
5. Portable Bases
6. Permanent Bases
7. Pole Hoists & Horizontal Entry Systems
8. Beam Clamps & Anchor Points
9. Mobile Stair Systems with Fall Protection
10. A-Frames & Quad-Frames
11. Mobile Horizontal Rail Systems
12. Portable Anchor Points & Restricted Space Davit Systems
13. Handrailing Systems & Accessories
14. Horizontal Rail & Trolley Systems
15. Rescue Systems & Accessories
16. Portable Fall Arrest Anchor Posts
17. Tuff-Step Access Systems & Accessories
18. Exosphere Customizable Portable Fall Protection Anchor Systems
19. Exosphere Highway Trailer Fall Protection Anchor System
20. Exosphere All Terrain 4x4 Fall Protection Anchor System
21. Custom Fabrication Engineering



Stay safe and be free



Hoists, Davits and Accessories



- Features
- Lightweight
 - Easy, fast setup time
 - Energy absorbing design

Category 4



Mailing Address:

122 Paquin Road
Winnipeg, Manitoba, Canada
R2J 3V4



Toll Free: 1-877-422-6053
Tel: 1-204-222-4025
Fax: 1-204-222-4080
www.tuffbuiltproducts.com

Tuff Built's Pro-Series Davits are available in a wide variety of heights and reaches, with features ranging from basic position jobs to fully rotational and adjustable davit arms for multiple applications. The Pro-Series davits feature "Tuff-Klik" pin-less adjustment, which eliminates lost or damaged locking pins.

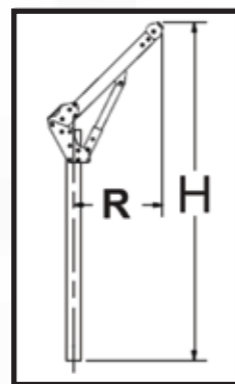
Pro-1 Series Davits

The Pro-1 Series Davits are designed to be small and lightweight, while at the same time being strong, reliable, and providing economical packages. The Pro-1 Series Davits also FOLD UP for easy moving and storage.

Part #	Model	Reach	Height	Winch/SRL Mount	Weight	Price
30015	Pro-1 Davit	19" (48cm)	73" (185cm)	Top	18.5lb (8.4kgs)	
30016	Pro-1 Plus Davit w/Pulley's	19" (48cm)	73" (185cm)	Rear	17lb (7.7kgs)	
30094	Pro-1 Davit w/Anchor Point	22" (56cm)	72" (183cm)	-	17lb (7.7kgs)	
30097	Pro-1 Mast Extension	-	30" (76cm)	-	9.3lb (4.2kgs)	

PRO-1 SERIES DAVITS HAS BEEN DISCONTINUED

**Pro-1 Series Davits use "Tuff-Klik Structure Bracket #5" Pt#60140 for Device Mounting



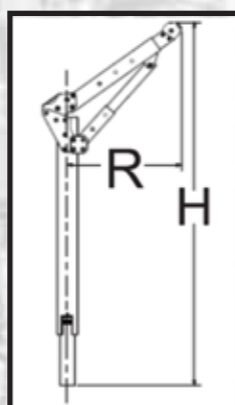
Pro-2 Series Davits

The Pro-2 Series Davits are designed to be small and lightweight, while at the same time being strong, reliable, and providing economical packages. The Pro-1 Series Davits also FOLD UP for easy moving and storage.

Other manufacturer brackets available. Please call us for more information.

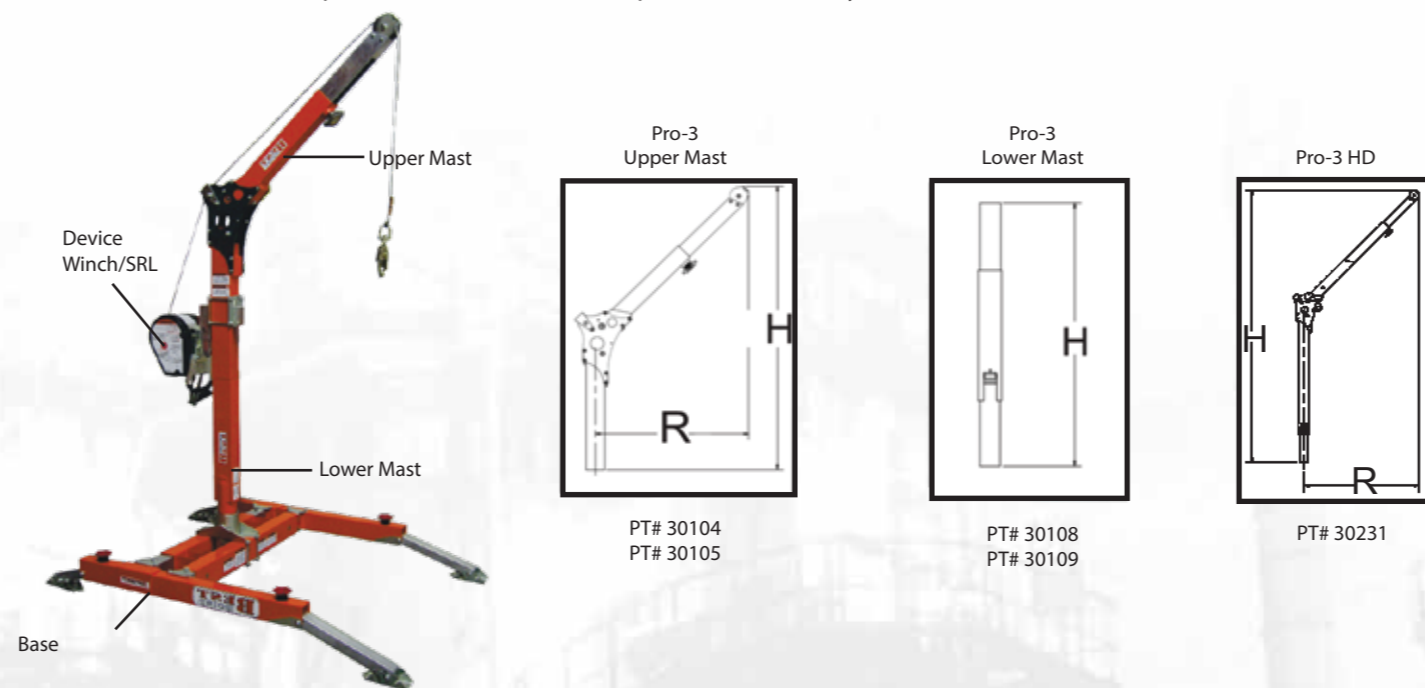
Part #	Model Description	Reach	Height	Winch/SRL Mount	Weight	Price
30055	Pro-2 Davit, 22R-74H(1 piece)	22" (56cm)	74" (188cm)	Rear	32lb (14.5kgs)	
30056	Pro-2 Davit, 22R-137H(2 piece)	22" (56cm)	137" (328cm)	Rear	56lb (25.4kgs)	
30116	Pro-2 Davit, 22R-97H(1 piece)	22" (56cm)	97" (247cm)	Rear	35lb (15.8kgs)	
30122	Anchor Point for Pro-2 Davits	-	-	-	1.4lb (0.7kgs)	
30174	Pro-2 Davit, 22R-117H(2 piece)	22" (56cm)	117" (297cm)	Rear	55lb (24.9kgs)	

** Pro-2 Series use "Tuff-Klik Structure Bracket #7" Pt#60142 for Device Mounting



Pro-3 Series Davits

Tuff Built Product's Pro-3 Series davits have a unique modular design that allows the davit to be light weight, yet high in strength. Designed with an integrated, easy to set fall brake system and the ability to mount mechanical devices front and rear, the Pro-3 Series davits provide the customer with peace of mind for years to come.



Other manufacturer brackets available. Please call us for more information.

Part #	Model Description	Reach	Height	Winch/SRL Mount	Weight	Price
30104	Pro-3 Davit, 28R-54H Upper	19.50" (50cm)	46" (117cm) to 55.75" (142cm)	Rear/Front	21lb (9.5kgs)	
30105	Pro-3 Davit, 28R-66H Upper		58" (147cm) to 66.75" (170cm)	Rear/Front	25lb (11.4kgs)	
30106	Pro-3 Davit, 28R-84H		76.5" (194cm) to 85.5" (217cm)	Rear/Front	31lb (14.1kgs)	
30107	Pro-3 Davit, 28R-108H		99.75" (253cm) to 108.5" (275cm)	Rear/Front	32lb (14.5kgs)	
30108	Pro-3 Davit, 40" Lower Mast	-	40" (102cm)	-	12lb (5.4kgs)	
30109	Pro-3 Davit, 52" Lower Mast	-	52" (132cm)	-	16lb (7.3kgs)	
30231	Pro-3 HD Davit, 42R-100H	33" (84cm) 42" (107cm)	91" (231cm) to 100" (254cm)	Rear/Front	50lb (22.7kgs)	
30178	Anchor Point for Pro-3 Davits	-	-	-	0.45lb (0.20kgs)	
30175	Single Re-Direct Pulley	-	-	-	1.12lb (0.51kgs)	

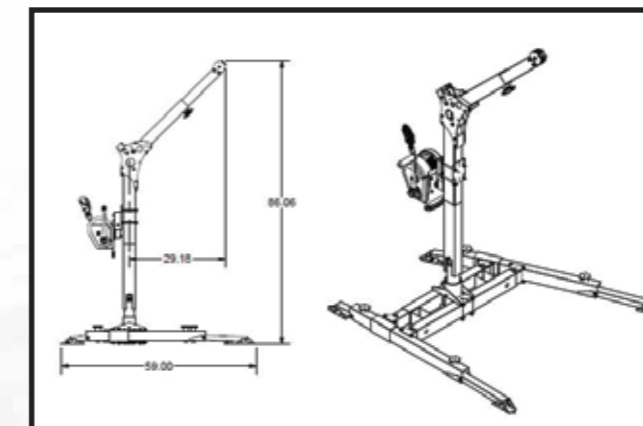
**Pro-3 Standard Davits use "Tuff-Klik Structure Bracket #6" Pt#60141 for Device Mounting

**Pro-3 HD Davits use "Tuff-Klik Structure Bracket #7" Pt#60142 for Device Mounting

Pro-3 Series Packages

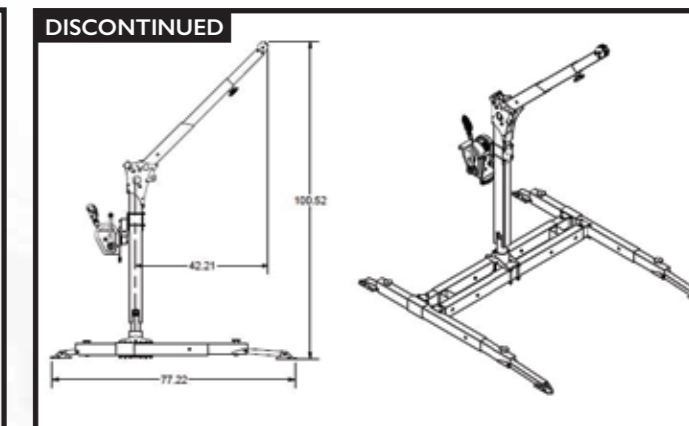
Tuff Built has specialized Pro-3 Hoist system packages, these are the best selling complete systems we recommend when looking for turnkey solutions.

Standard Pro-3



PT# 20035;
Pro-3 Hoist System 28" Offset (Max)

Heavy Duty Pro-3



PT# 20080;
Pro-3 HD Hoist System 42" Offset (Max)

Package Part#	Package Contains	Reach	Height	Upper Davit	Lower Mast	Base	Winch	Structure Bracket	Weight	Price
20035	Pro-3 Hoist System, Davit 28R-84H (Upper & Lower Mast) w/Portable Base (6pc), Winch & Winch Bracket	28" (71cm)	84" (213cm)	30104	30108	30070	60217	60141	129.0lbs (58.5kgs)	
20036	Pro-3 Hoist System, Davit 28R-84H (1pc Mast) w/Portable Base (5pc), Winch & Winch Bracket	28" (71cm)	84" (213cm)	30106	-	30070	60217	60141	129.0lbs (58.5kgs)	
20037	Pro-3 Hoist System, Davit 28R-108H (Upper & Lower Mast) w/Portable Base (6pc), Winch & Winch Bracket	28" (71cm)	108" (274cm)	30105	30109	30070	60217	60141	135.0lbs (61.3kgs)	
20038	Pro-3 Hoist System, Davit 28R-108H (1pc Mast) w/Portable Base (5pc), Winch & Winch Bracket	28" (71cm)	108" (274cm)	30107	-	30070	60217	60141	129.0lbs (58.5kgs)	
20080	Pro-3 HD Hoist System, Davit 42R-100H(1pc Mast) w/Portable Base (5pc), Winch & Winch Bracket	42" (107cm)	100" (254cm)	30231	-	30115	60217	60142	170.0lbs (77.1kgs)	
20092	Pro-3 Hoist System, Davit 28R-54H (Upper & Lower Mast) w/Portable Base (3pc)	28" (71cm)	84" (213cm)	30104	30108	30070	-	-	98.0lbs (44.5kgs)	
20113	Pro-3 Hoist System, Davit 28R-84H (Upper & Lower Mast) w/Portable Base (6pc)	28" (71cm)	84" (213cm)	30104	30108	30070	-	-	89.0lbs (40.5kgs)	
20136	Pro-3 HD Hoist System, Davit 42R-100H(1pc Mast) w/Portable Base (5pc)	42" (107cm)	100" (254cm)	30231	-	30115	-	-	130.0lbs (59kgs)	

