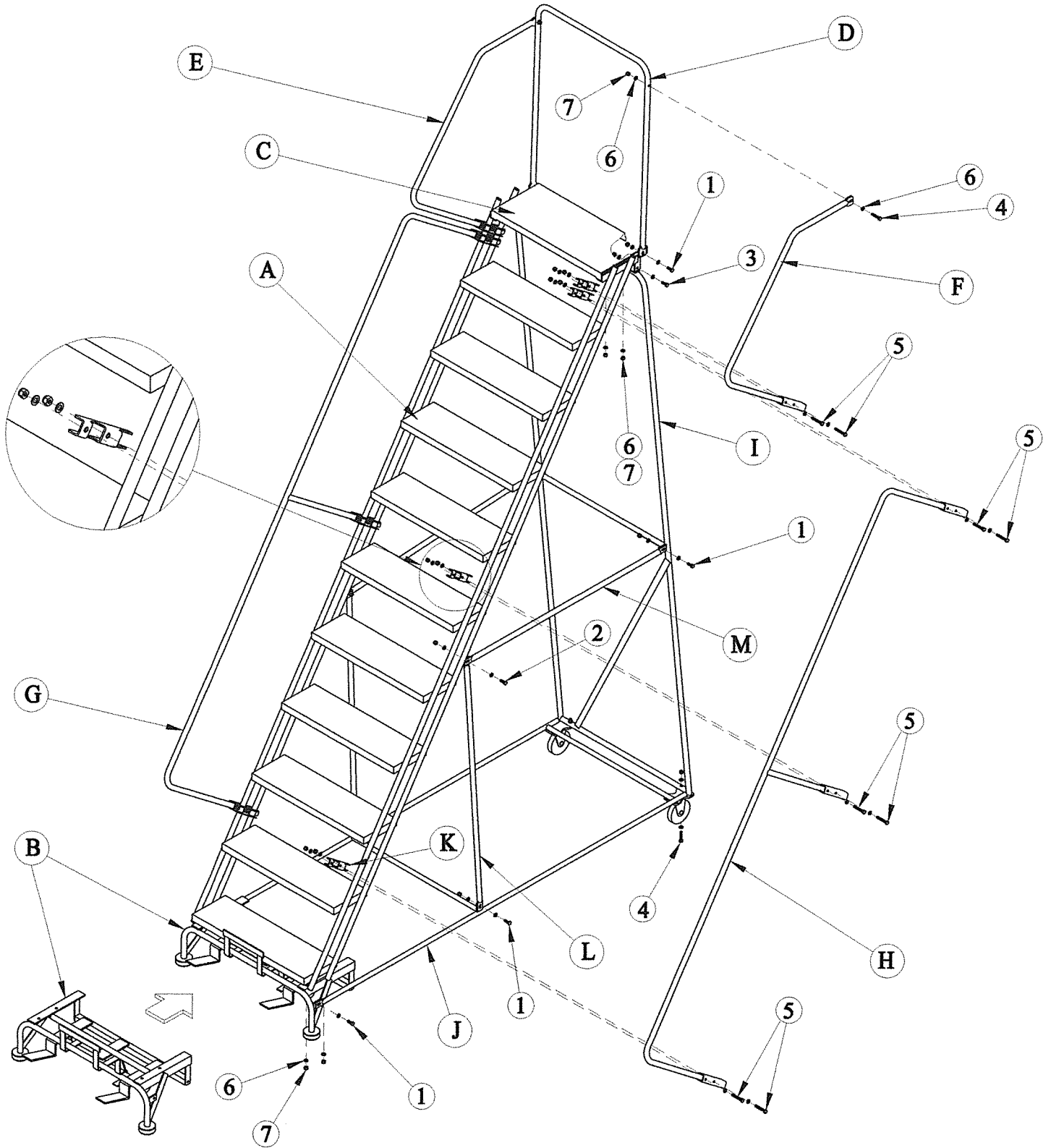


FS113214 COMPLETE



PART #	DESCRIPTION	QUANTITY
A	STAIR SECTION	1
B	LOCKSTEP	1
C	TOP STEP	1
D	REAR GUARDRAIL	1
E	LEFT UPPER RAIL	1
F	RIGHT UPPER RAIL	1
G	LEFT LOWER RAIL	1
H	RIGHT LOWER RAIL	1
I	VERTICAL WELDMENT	1
J	BASE WELDMENT	1
K	HANDRAIL BRACKET	8
L	VERTICAL BRACE	2
M	HORIZONTAL BRACE	2
1,2	5/16 X 1" BOLT	12
3	5/16 X 1 3/4" BOLT	4
4	5/16 X 2" BOLT	16
5	5/16 USS FLAT WASHER	
6	5/16 NYLON LOCKNUT	36

*Washers included in kit & drawing but not mandatory for assembly

11-12 STEP LADDER

ASSEMBLY INSTRUCTIONS

STEP 1 ASSEMBLE TOP STEP

- Place Stair Section (A) on its' back and attach Top Step (C) using four washers (6) and locknuts (7).

STEP 2 ASSEMBLE HANDRAIL CONFIGURATION

- Bolt Rear Guardrail (D) to the Top Step (C) using M8 x 20 bolts (1), washer (6) and locknuts (7).
- Connect Top Handrails (E) & (F) to Rear Guardrail using M8 x 40 bolts (4), washers (6) and locknuts (7).
Note : Handrail stiffener should be positioned on the outside of Stair Section.
- Attach Handrail Bracket (K) to the Top Handrail using M8 x 55 bolts (5), washers (6) and locknuts (7).
Note : Handrail Brackets should be positioned on the inside of Stair Section. Confirm Rear Guardrail (D) is perpendicular to the Top Step (C), and tighten the bolts.
- Mount Lower Handrails (G) & (H) using Handrail Brackets (K) and M8 x 55 bolts (5) and locknuts (7).
Note : Top of Lower Handrail should butt against Top Handrail.
- Tighten all hardware.

STEP 3 ATTACH VERTICAL WELDMENT

- Turn the assembly over onto the newly assembled Handrails (place protective covering on rough floors to avoid scratching paint).
- Place Vertical Weldment (I) onto back of Stair Section (A) and align brackets on top of Vertical Weldment with Tabs protruding from bottom of Top Step (C).
- Use M8 x 30 bolts (3) with washers (6) and locknuts (7) to fasten Vertical Weldment (I) to Stair Section (A).
- Do not overtighten bolts.

STEP 4 ATTACH LOCKSTEP

- Attach Lockstep (B) to the bottom step using four washers (6) and locknuts (7). Fully tighten.

STEP 5 ATTACH BASE WELDMENT

- Align Base Weldment (J) with the Tabs on the Front Legs of ladder. Note : The casters point up for this alignment.
- Use two M8 x 20 bolts (1) with washers (6), and locknuts (7) to fasten the Base Weldment (J) to the Front Legs.

STEP 6 ATTACH BASE WELDMENT TO VERTICAL WELDMENT

- Unfold Base Weldment (J) and Vertical (I) and align together.
- Use two M8 x 40 bolts (5) with washers (6) and locknuts (7) to assemble the two parts. The bolt is inserted from the bottom of the caster through the hole in the Vertical Weldment (I). Repeat this step on the other side.
DO NOT OVERTIGHTEN!

STEP 7 INSTALL BRACES

- Stand ladder up. Install Vertical Braces (L) and Horizontal Braces (M) using M8 x 20 bolts (1) and M8 x 25 bolts (2) with washers (6) and locknuts (7).

STEP 8 FINAL INSPECTION

- Check to see that ladder sits level on floor. After confirming that ladder sits level, tighten all hardware.