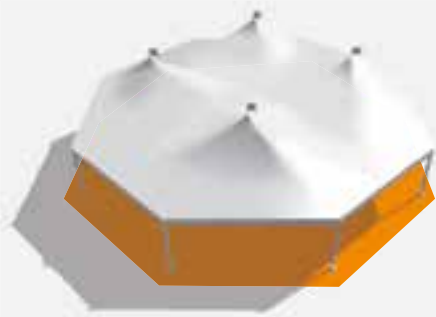
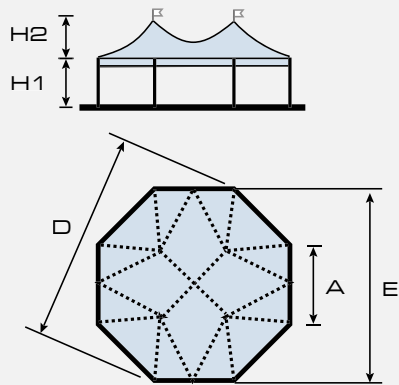




Meeting-in

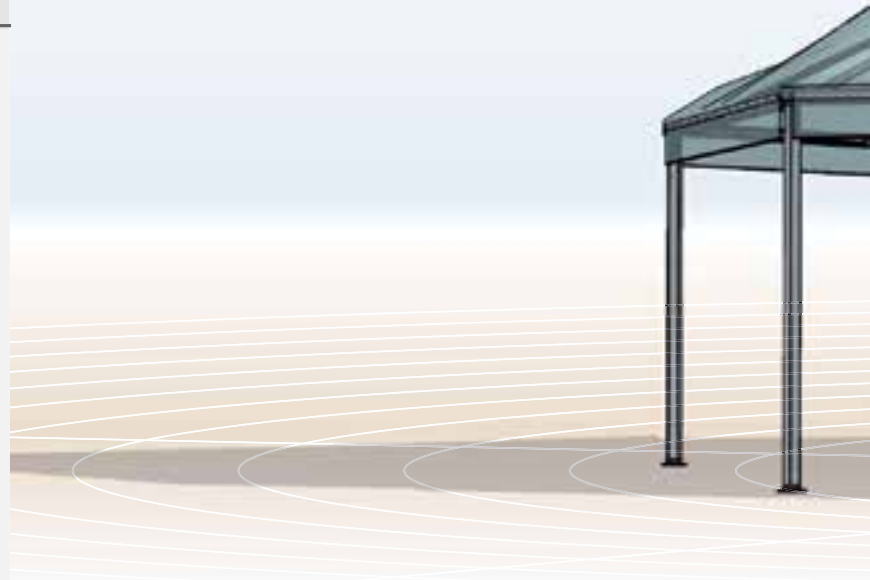
# DIMENSIONS

## Meeting-in

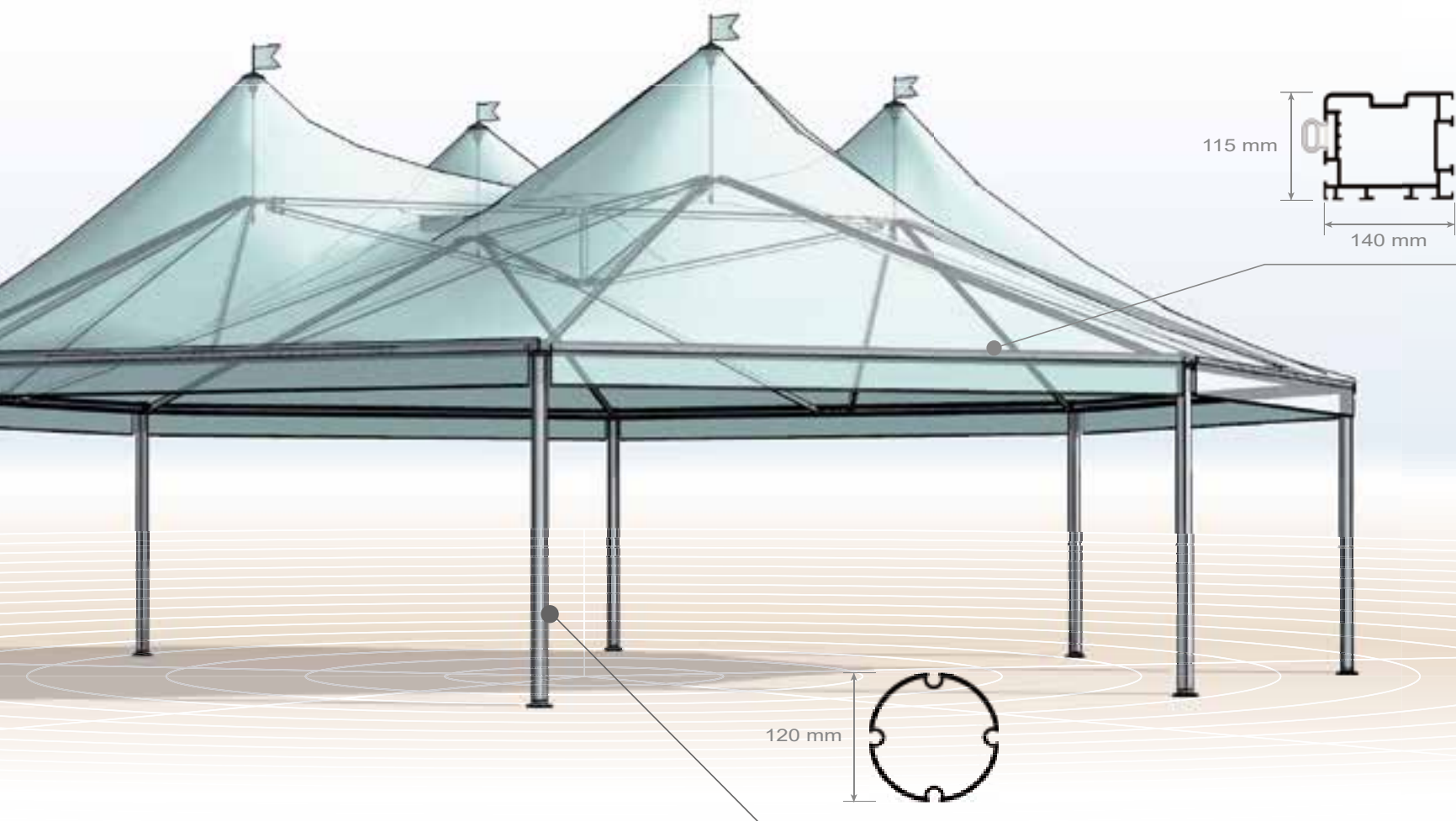


A (cm)	H1 (cm)	H2 (cm)	AREA (m <sup>2</sup> )	D (cm)	E (cm)
500	*	260	120,0	1305	1205
600	*	310	174,0	1570	1450

\* = The tent is supplied with static calculations for a max eave height of 300 cm.

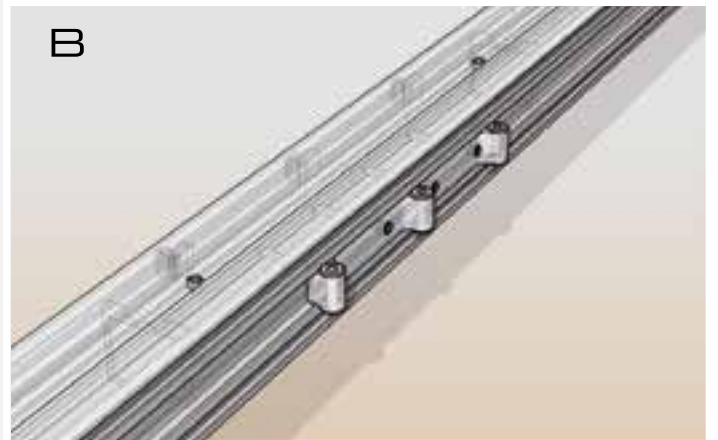
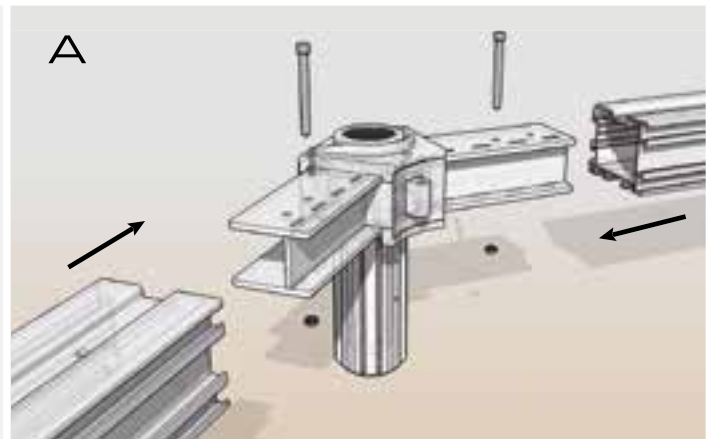


# TECHNICAL DETAILS

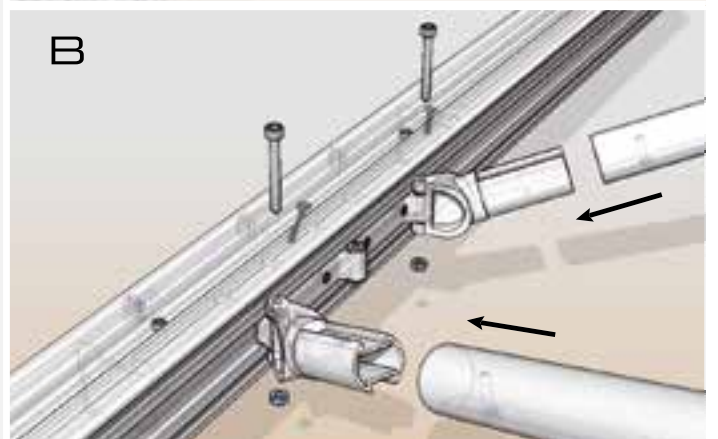
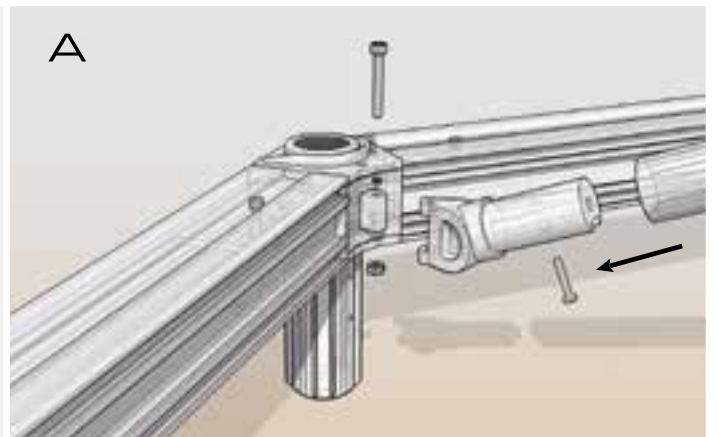
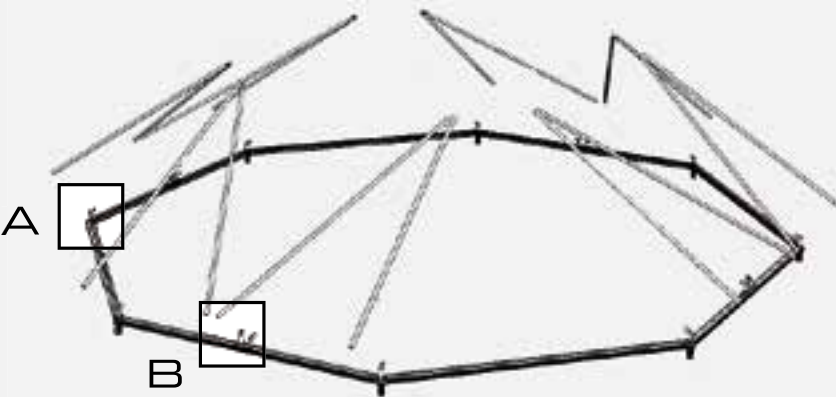


# ASSEMBLY

1

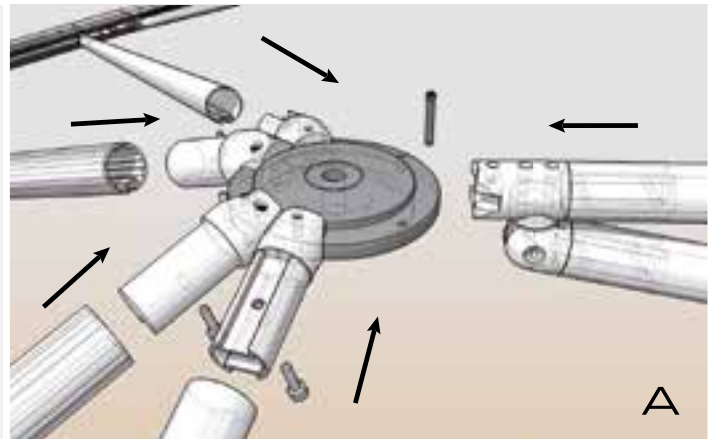
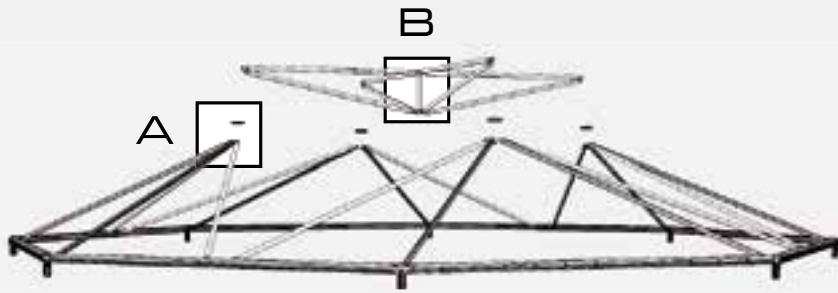


2

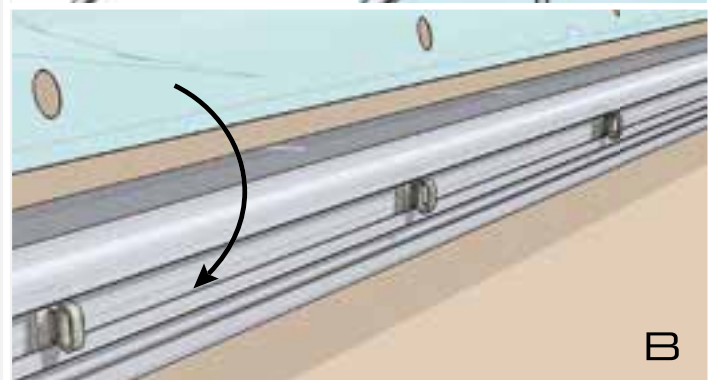
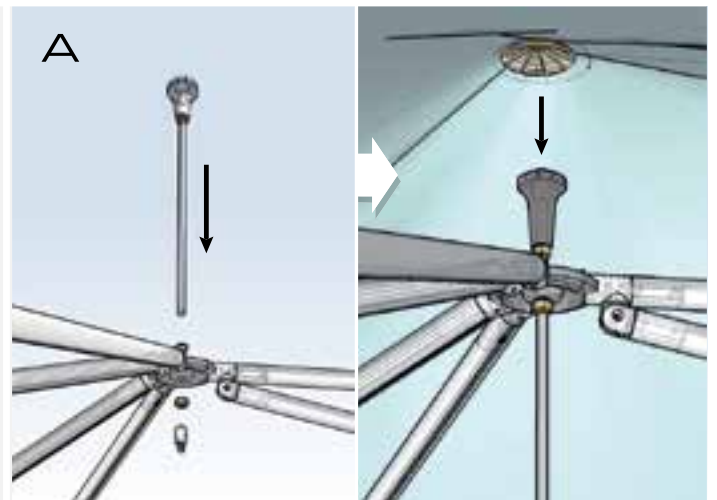
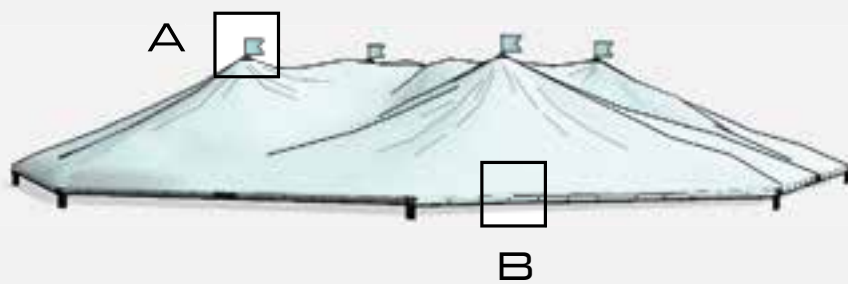


# ASSEMBLY

3

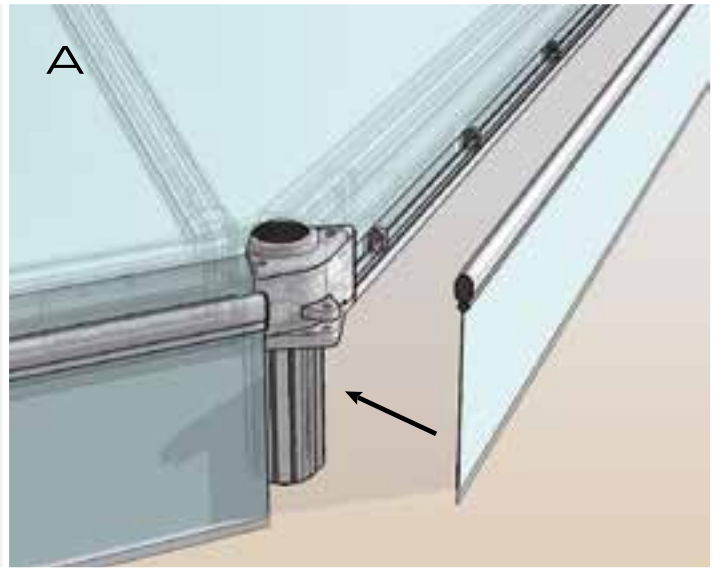
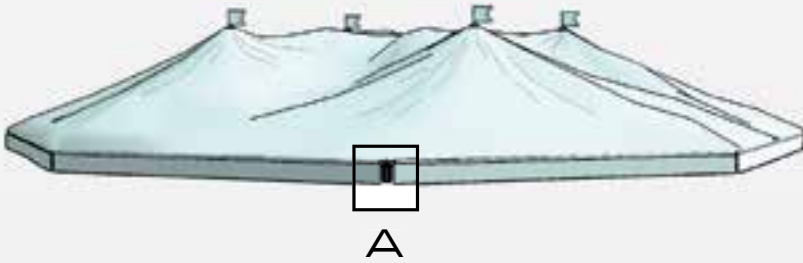


4

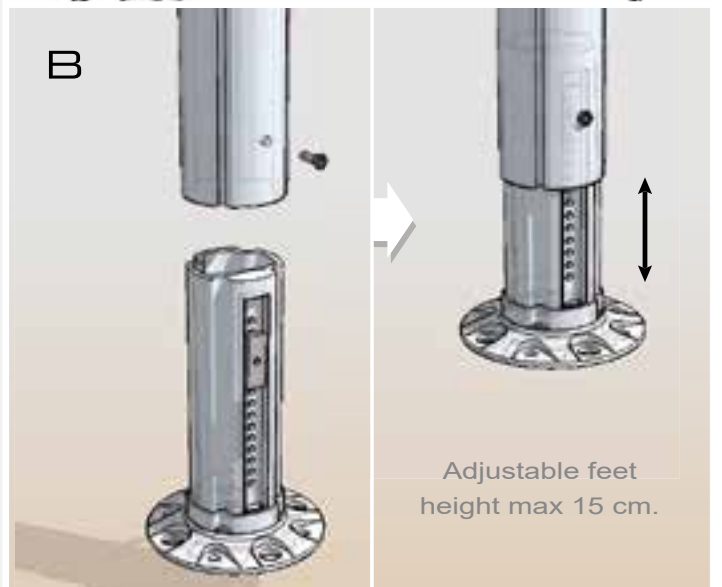
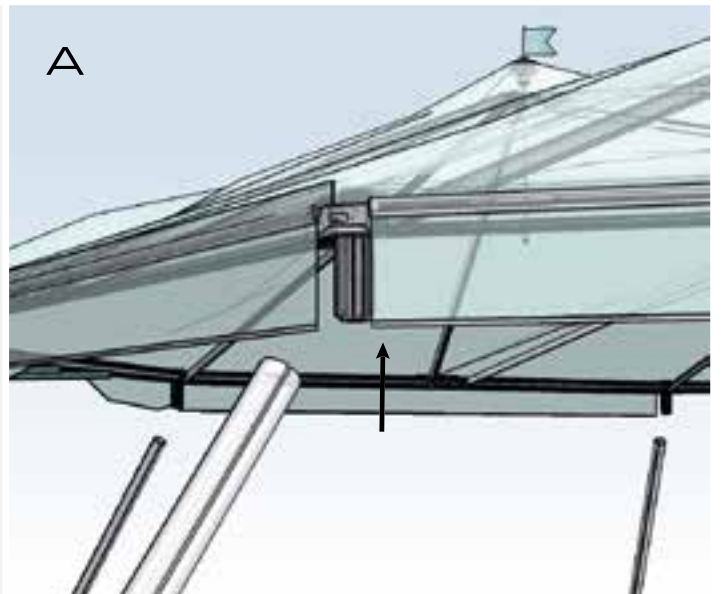
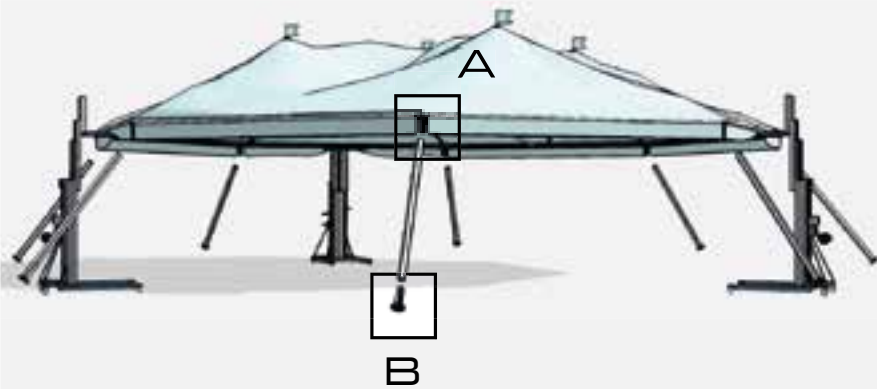


# ASSEMBLY

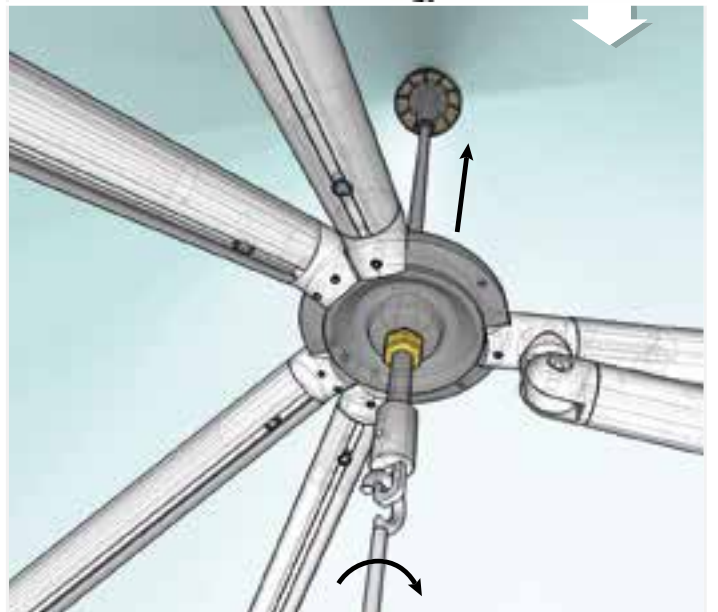
5



6

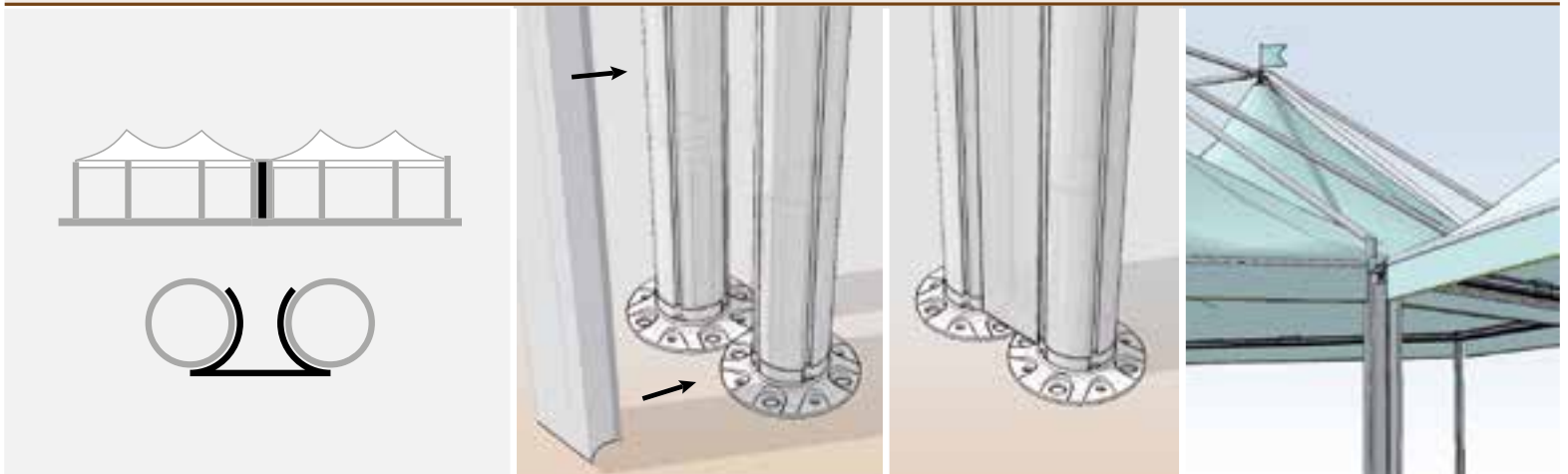


7

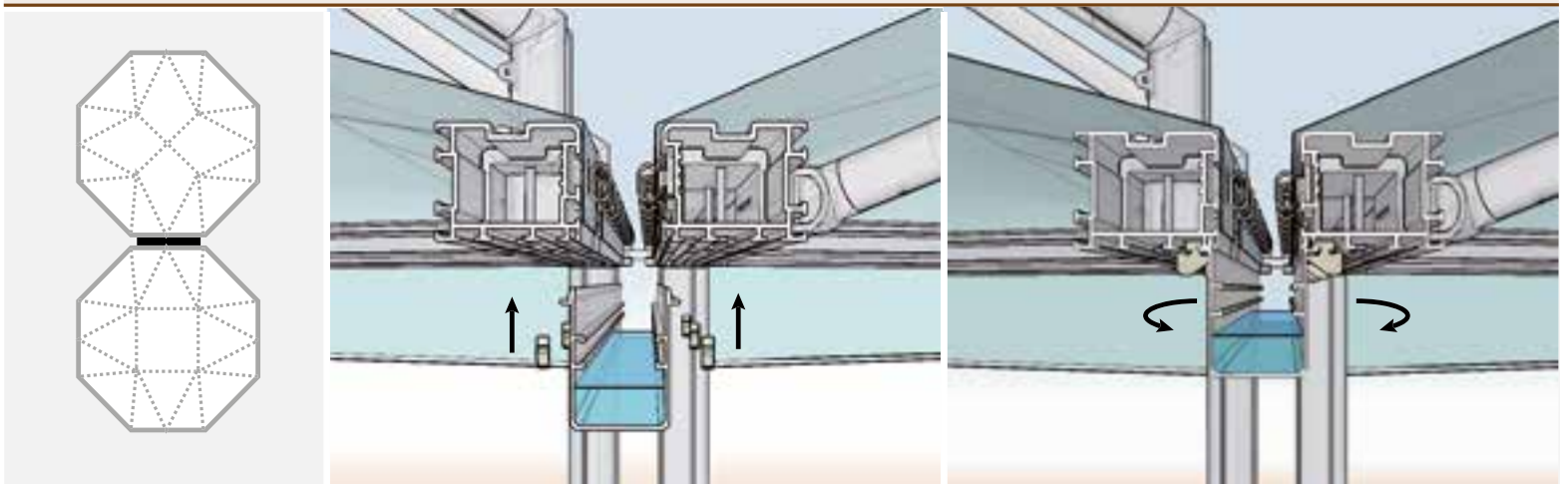


# OPTIONS - FRAME

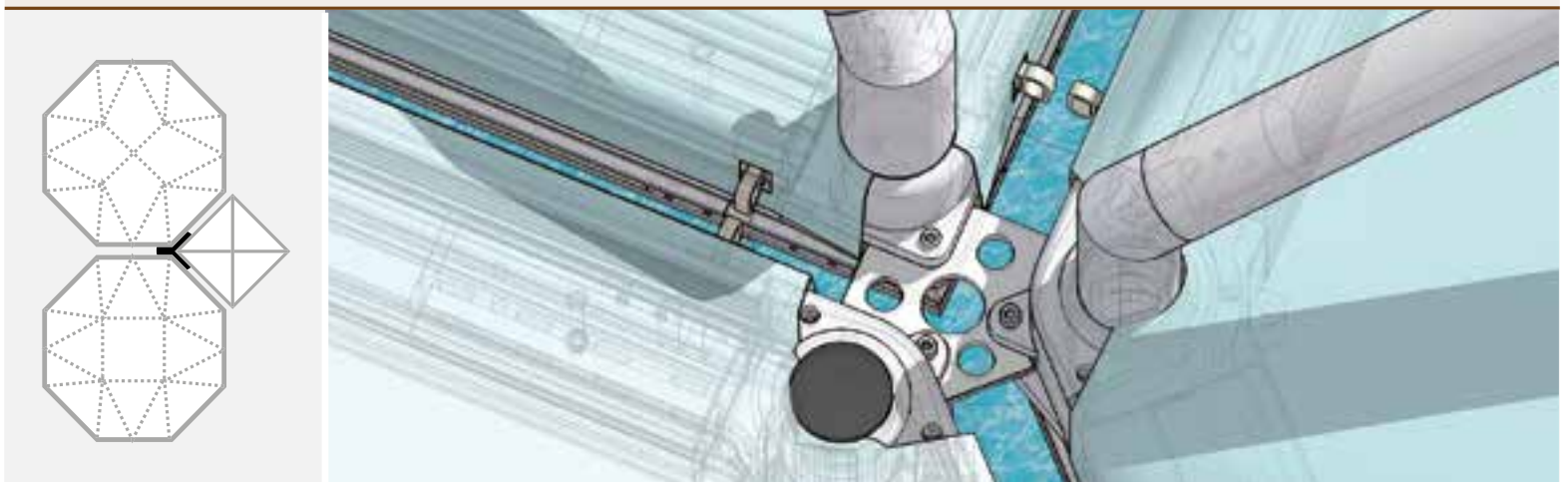
## JUNCTION FILLER



## KIT FOR MODULES' CONNECTION



## CENTRAL JOINT









Giulio Barbieri S.r.l.

[www.giuliobarbieri.it](http://www.giuliobarbieri.it)

Via Ferrara, 41

44028 Poggio Renatico (FE) - Italy

[info@giuliobarbieri.it](mailto:info@giuliobarbieri.it)

Tel. (+39) 0532 821511

Fax (+39) 0532 821555

