



Leader 

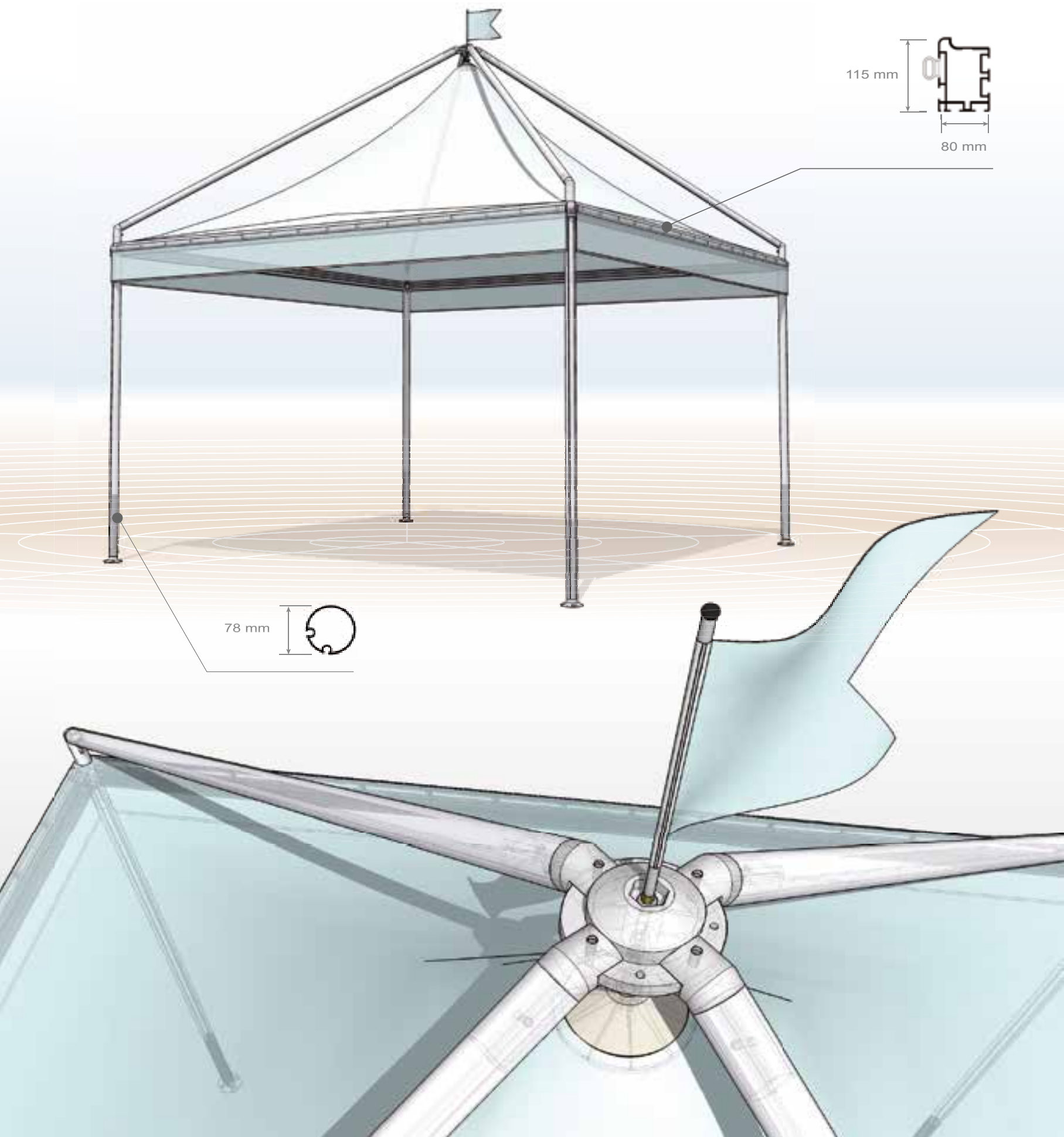
DIMENSIONS

Leader 4									Leader 6					Leader 8						
 3D view of a square tent with a red base. 2D side view shows height H1 to the eave and H2 to the peak. 2D top view shows a square with side length A and B.			 3D view of a rectangular tent with a red base. 2D side view shows height H1 to the eave and H2 to the peak. 2D top view shows a rectangle with width A and length B.			 3D view of a hexagonal tent with a red base. 2D side view shows height H1 to the eave and H2 to the peak. 2D top view shows a hexagon with width A and height E.					 3D view of an octagonal tent with a red base. 2D side view shows height H1 to the eave and H2 to the peak. 2D top view shows an octagon with width A and height E.									
A=B (cm)	H1 (cm)	H2 (cm)	AREA (m ²)	A (cm)	B (cm)	H1 (cm)	H2 (cm)	AREA (m ²)	A (cm)	H1 (cm)	H2 (cm)	D (cm)	E (cm)	AREA (m ²)	A (cm)	H1 (cm)	H2 (cm)	D (cm)	E (cm)	AREA (m ²)
300	*	150	9,00	300	400	*	170	12,00	300	*	200	600	520	23,40	300	*	250	785	725	43,50
400	*	190	16,00	300	500	*	195	15,00	400	*	255	800	690	41,50	400	*	330	1045	965	77,50
500	*	230	25,00	300	600	*	220	18,00	500	*	305	1000	865	65,00						
600	*	270	36,00	400	500	*	210	20,00												
				400	600	*	235	24,00												
				500	600	*	250	30,00												

Leader MULTI													
 3D view of two square tents side-by-side on a red base. 2D side view shows height H1 to the eave and H2 to the peak. 2D top view shows a rectangle with width B = 2 x A and height A.				 3D view of three square tents side-by-side on a red base. 2D side view shows height H1 to the eave and H2 to the peak. 2D top view shows a rectangle with width B = 3 x A and height A.				 3D view of four square tents in a 2x2 grid on a red base. 2D side view shows height H1 to the eave and H2 to the peak. 2D top view shows a square with side length B.					
A (cm)	B (cm)	H1 (cm)	H2 (cm)	AREA (m ²)	A (cm)	B (cm)	H1 (cm)	H2 (cm)	AREA (m ²)	A=B (cm)	H1 (cm)	H2 (cm)	AREA (m ²)
300	600	*	150	18,00	300	900	*	150	27,00	700	*	170	49,00
400	800	*	190	32,00	400	1200	*	190	48,00				
500	1000	*	230	50,00	500	1500	*	230	75,00				
600	1200	*	270	72,00	600	1800	*	270	108,00				

* = The tent is supplied with static calculations for a max eave height of 300 cm.

TECHNICAL DETAILS

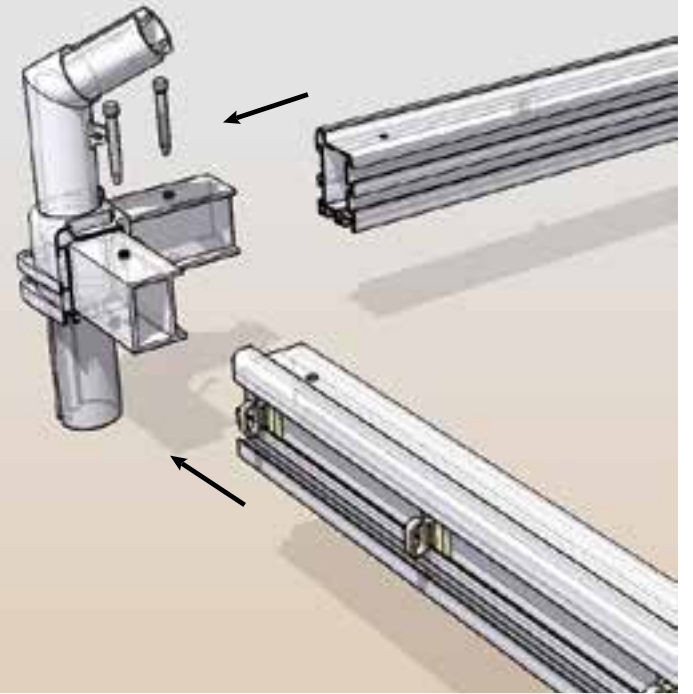


ASSEMBLY

1



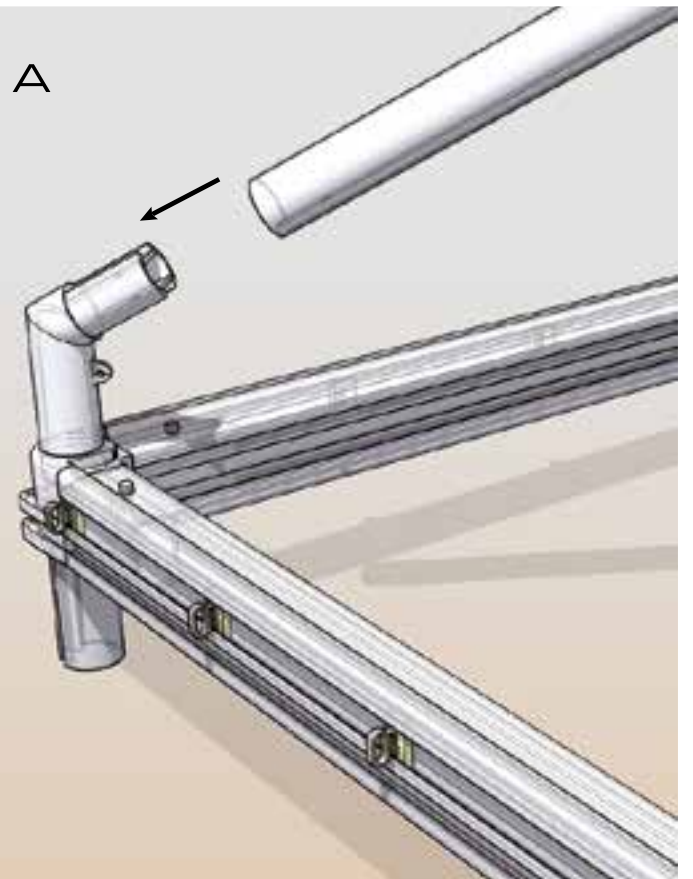
A



2

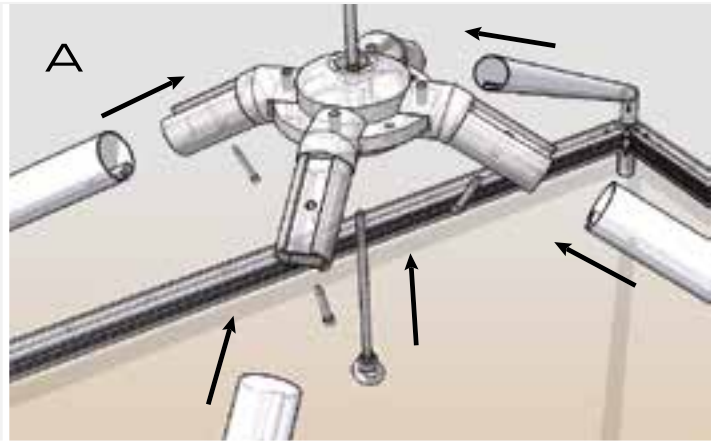
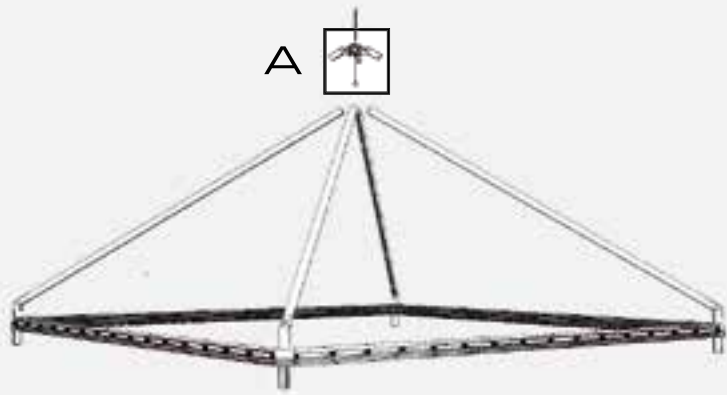


A

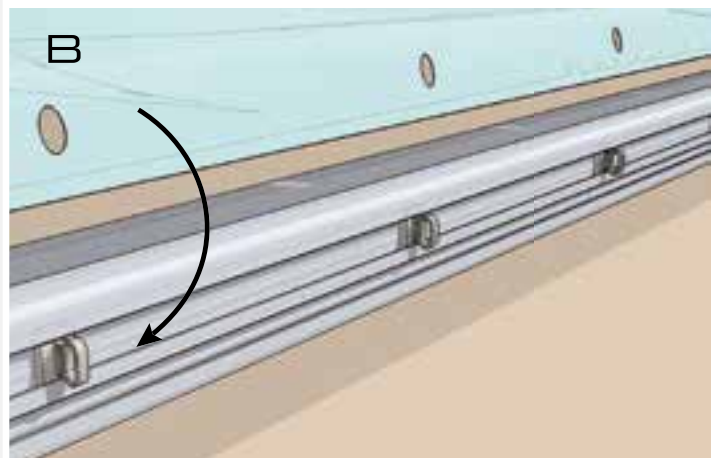
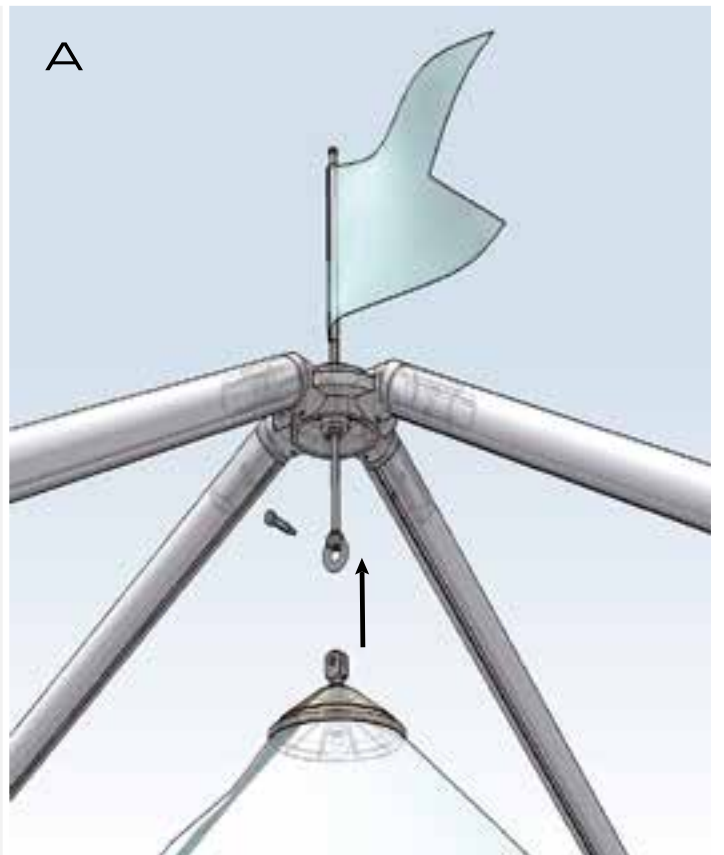
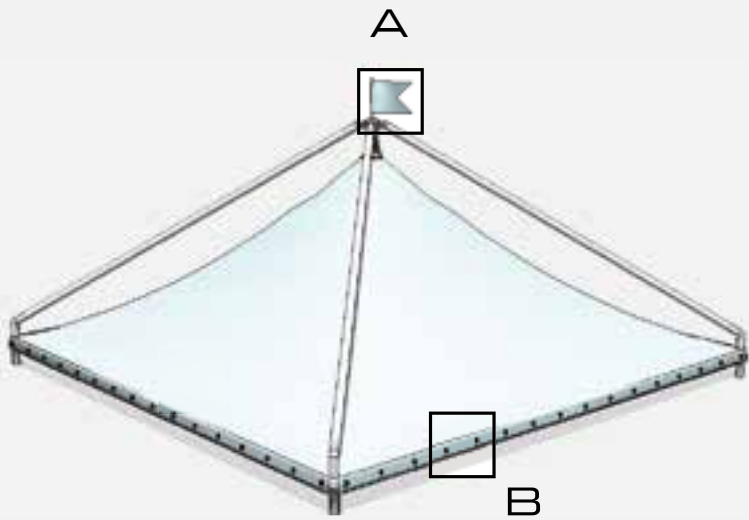


ASSEMBLY

3

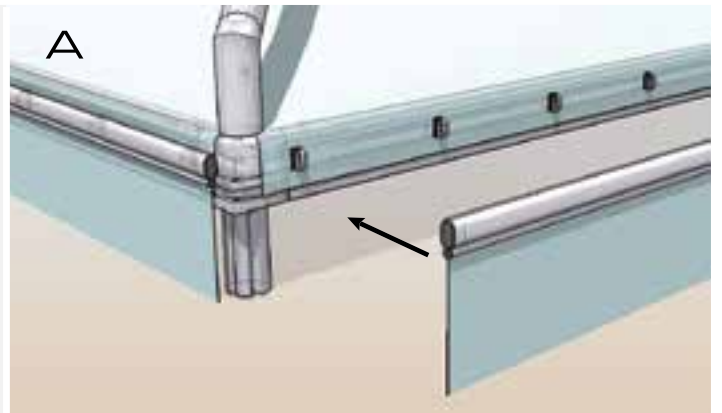
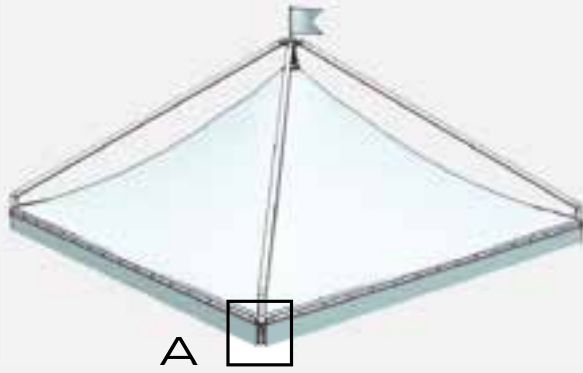


4

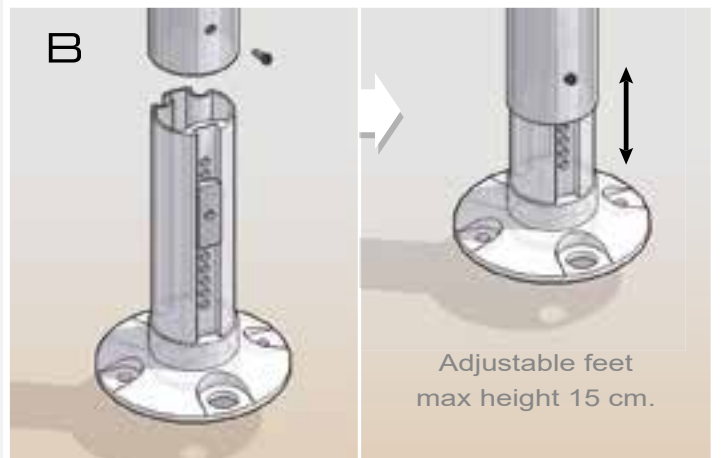
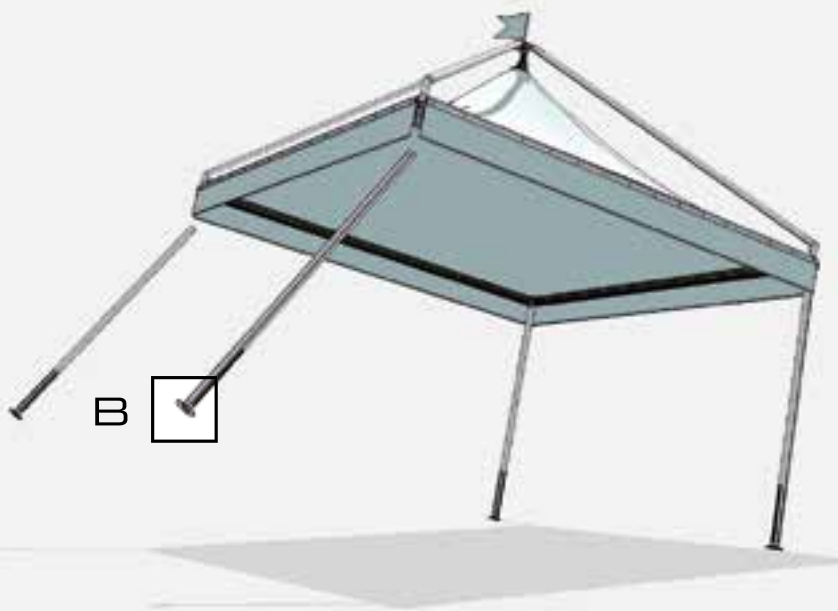
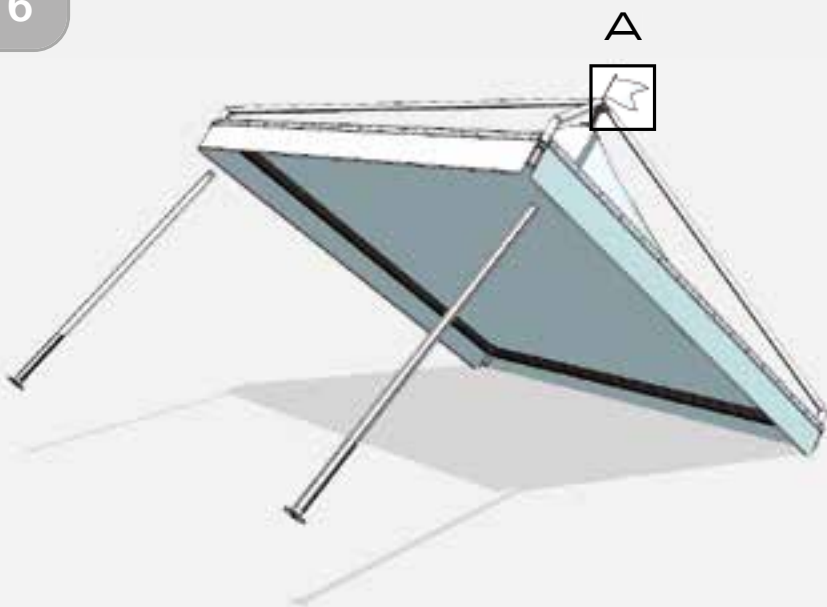


ASSEMBLY

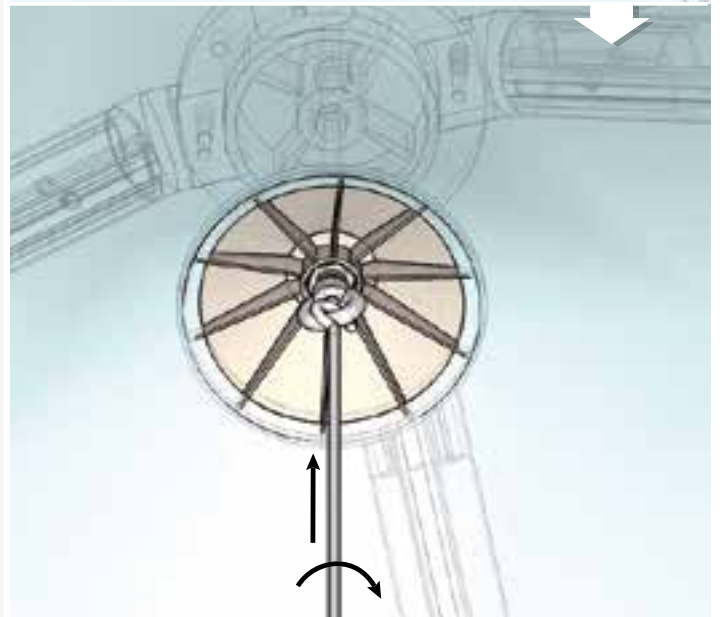
5



6

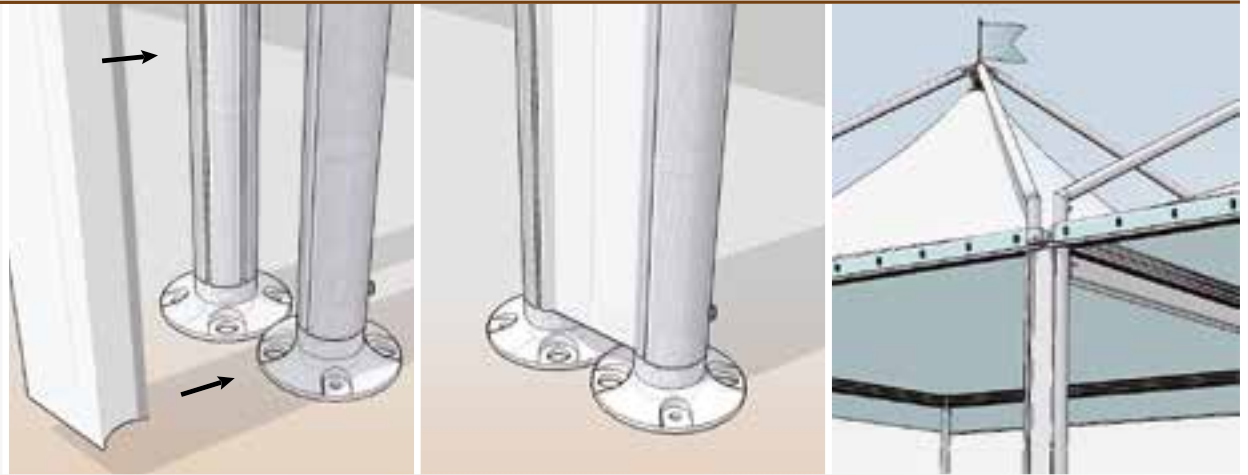
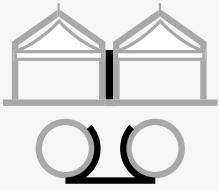


7

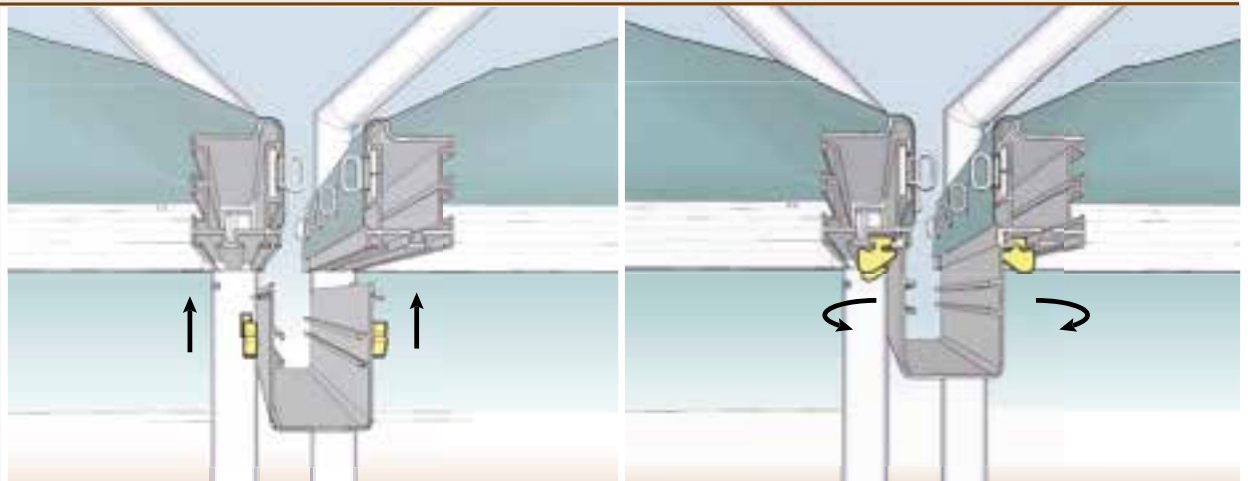
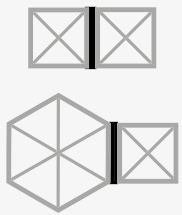


OPTIONS - FRAME

JUNCTION FILLER



KIT FOR MODULES' CONNECTION



CENTRAL JOINT







Giulio Barbieri S.r.l.

www.giuliobarbieri.it

Via Ferrara, 41

44028 Poggio Renatico (FE) - Italy

info@giuliobarbieri.it

Tel. (+39) 0532 821511

Fax (+39) 0532 821555

