

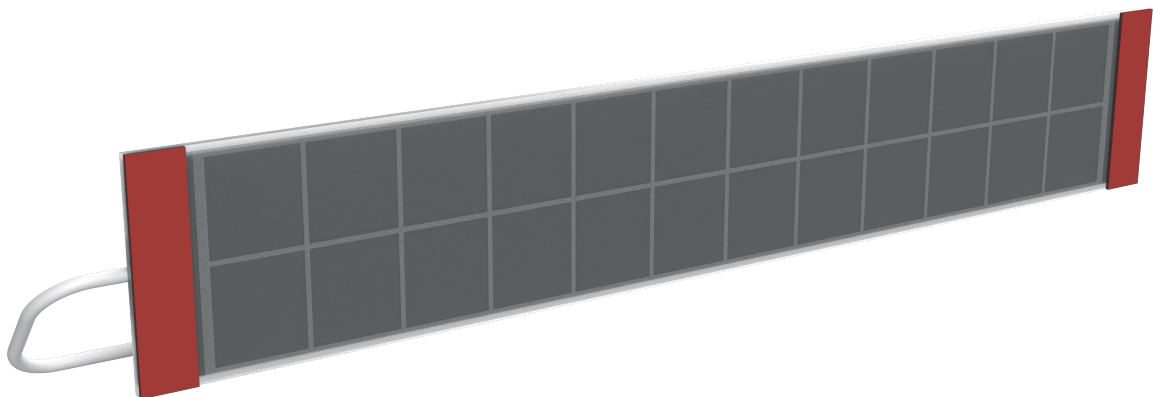
Li-ion Solar Panel
PRODUCT SPECIFICATIONS

Harnessing solar energy to power motorized blinds

PRODUCT MAIN FUNCTIONALITIES

Convenience & Compatibility
with our rechargeable motorized blinds

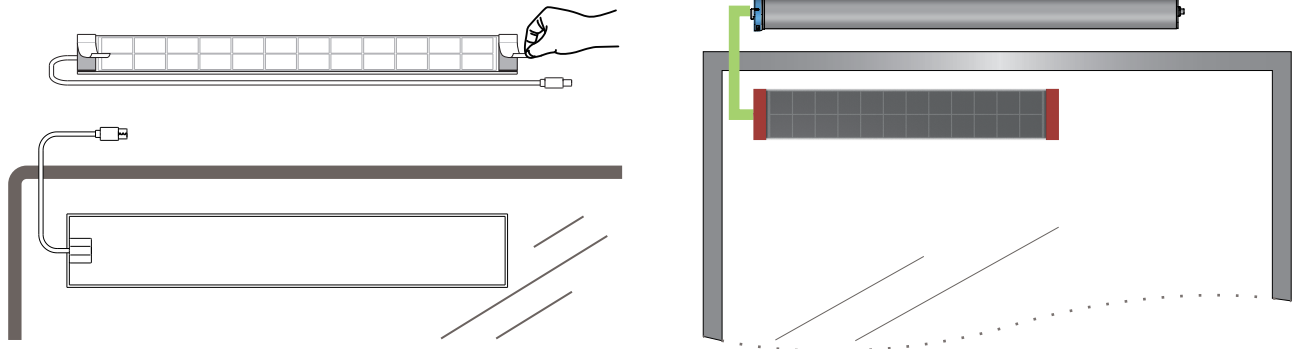
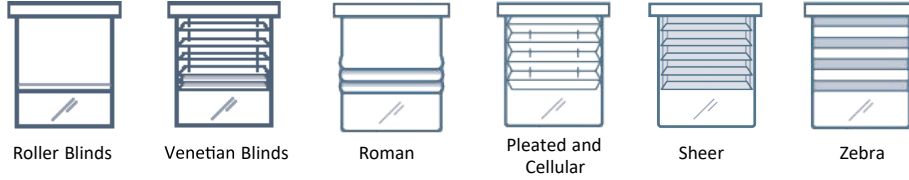
Minimised Maintenance
For maximum efficiency
For quicker installation



Smart motor Solar Panel

PRODUCT SPECIFICATIONS

COMPATIBLE END PRODUCTS
For interior applications only.

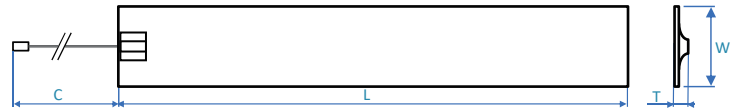


TECHNICAL SPECIFICATIONS

Item Number	WD001
Protection Factor Nominal	IP 20 - For indoor use only
Output Voltage) ±0,5 VDC @2000 Lux
Cable	AWG24
Certifications	RCM Certified
Temperature Range – Working:	-20°C to +60°C

DIMENSIONS

Length (mm)	L	360mm (14.17in)
Width (mm)	W	60mm (2.36in)
Thickness (mm)	T	8.6mm (0.34in)
Cable Length (mm)	C	500mm (19.69in)



WINDOW APPLICATION TABLES & GUIDELINES

Window Type				
		SINGLE OR DOUBLE PANE OK	LIGHT TRANSMISSION 65% OR GREATER	WINDOW TINTING

Moving Window				
		FIXED WINDOW	DOUBLE HUNG	SLIDING

Concern	Clean Install	Caution: Avoid Panel Collision	Caution: Avoid Panel Collision	Caution: Panel Movement Will tug or tear Harness
Suggestions		Limit Screw in track	Limit Screw in Track	Cable tie near corner

Avoid		
		AWNINGS OR DEEP ROOF EAVES

Avoid		
		VEGETATION BLOCKING LIGHT