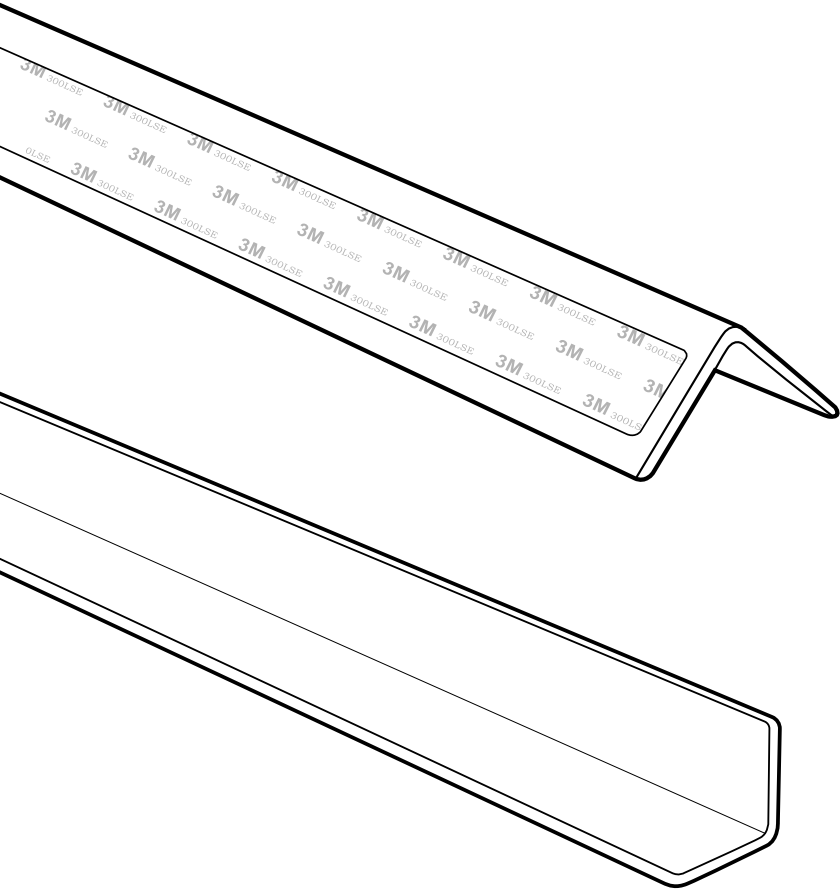


PVC LIGHT BLOCKERS

Block Sunlight Along
Two Sides of Blackout Shades Blinds 2 Pcs



Light Blockers for Shades

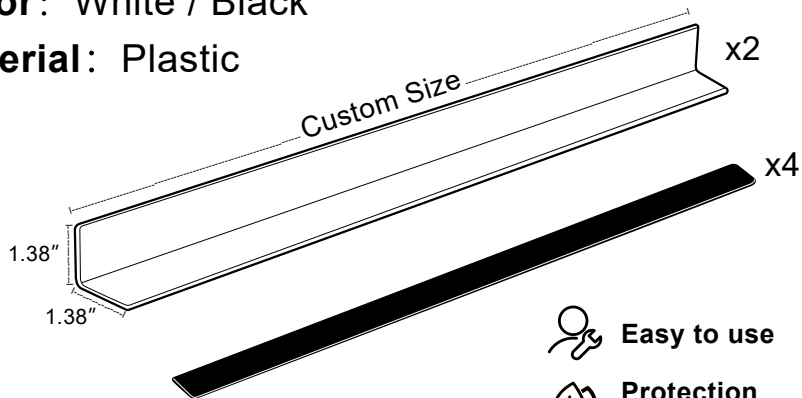
Width x Depth: 1.38"x 1.38"

Height: Custom Size

Quantity: 2 Pcs

Color: White / Black

Material: Plastic



Easy to use



**Protection
Environmental**

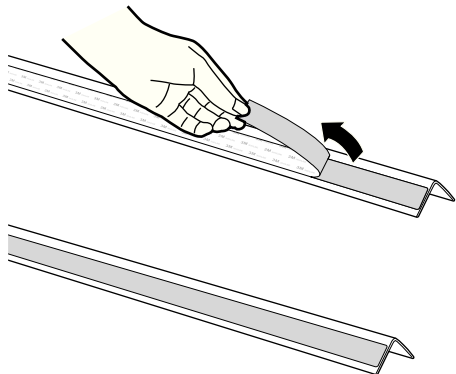


Protect privacy

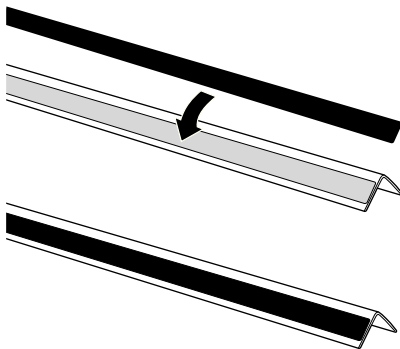
- Green environmental protection materials environmental friendly.
- Resist fading , ensuring your tracks will look great for a long time.
- Blocks 100% of light, Block the sunlight leakage from two sides of shades, make your room darker now and get the sleep you need.
- Suitable for blinds, cellular, roller, roman and more.mount the tracks as close as possible to the shade as to get the best effect and block the most light.
- Flexible Way of Use: Comes with a 3M tape attached, two installation ways. Just remove the sticker surface and attach it to window frame OR for easy and free removal, stick the magnetic strips free sent in the package with the sticker on the light blockers. Choose the installation way you prefer flexibly.

EASY ASSEMBLY

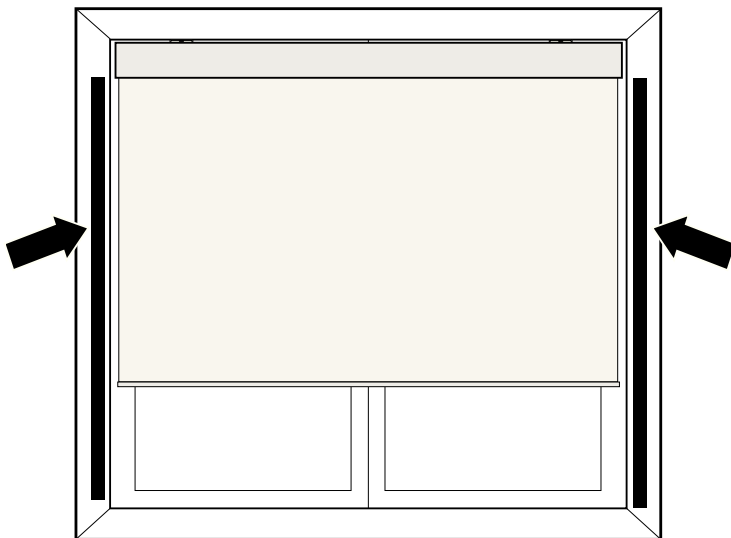
1. Ripped of the red 3M stickers of the 2 light blockers



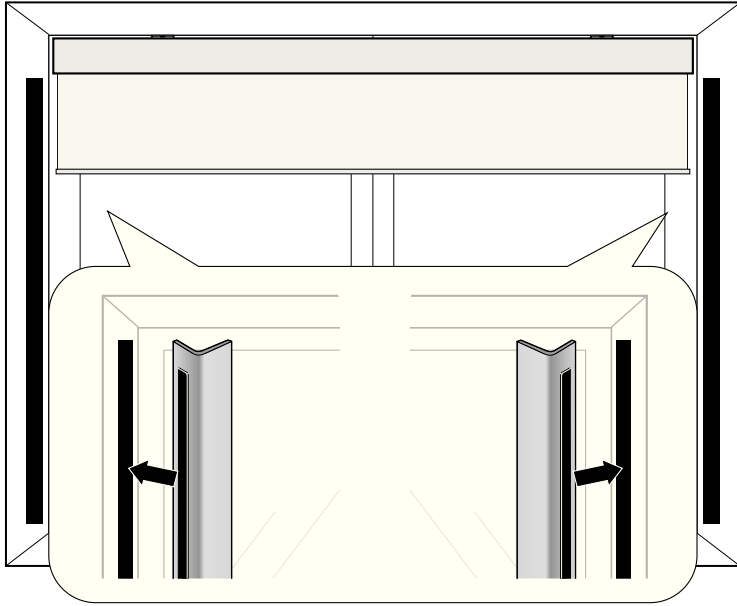
2. Stick the 2 Magnetic strip on the light blockers



3. Stick the 2 Magnetic strip on each side of the window inside frame



4. Align the magnetic strip on Strip on the window frame



5. Install the Roller blinds

