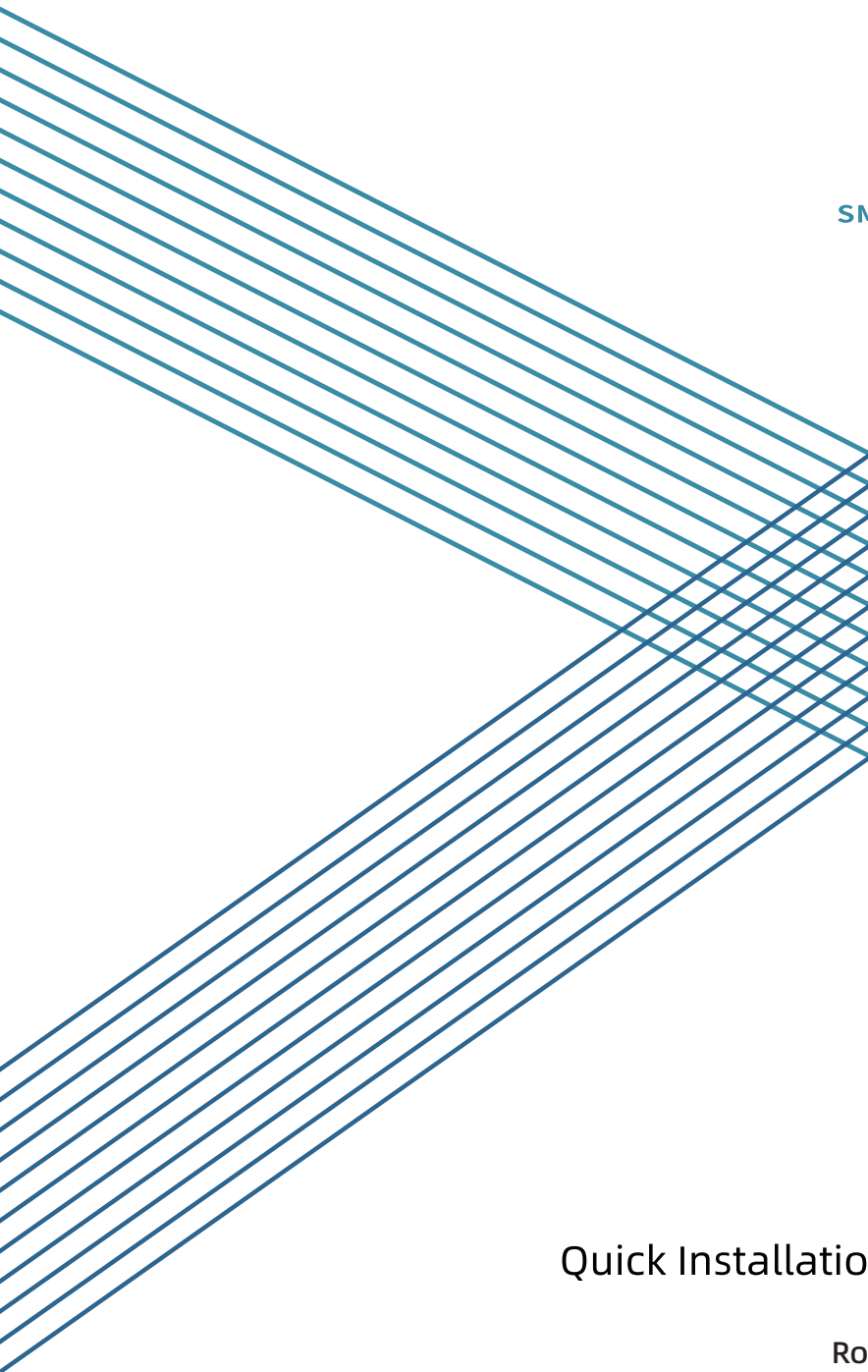


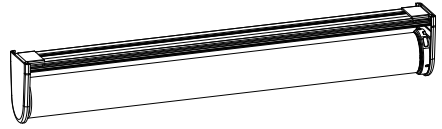
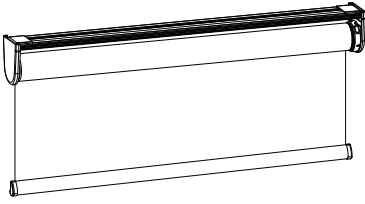


SMARTWINGS

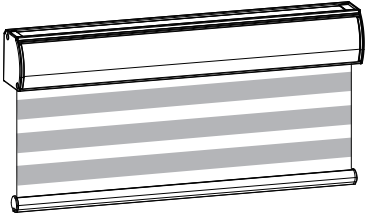


Quick Installation Guide

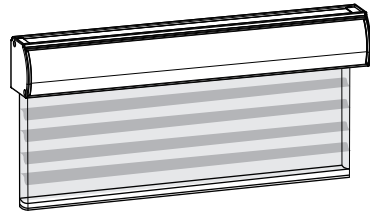
Roller Shade
Zebra Shade



Deco Bar



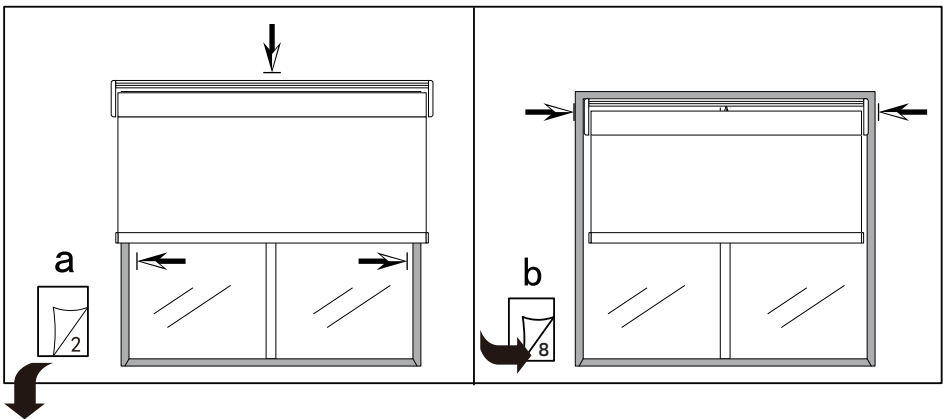
Square



Fabric Insert Cassette

a Outside Mount

b Inside Mount

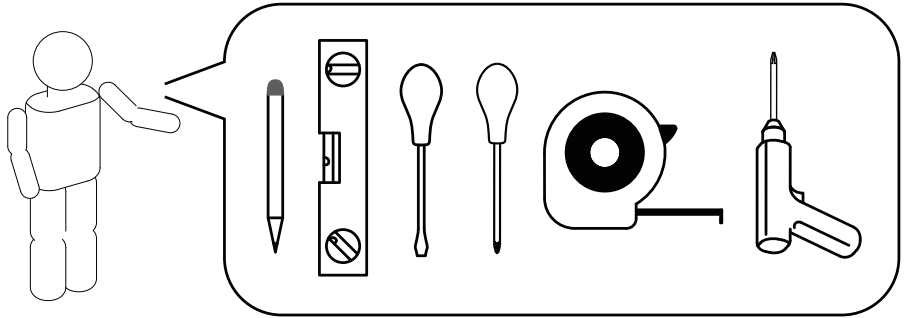


The following operations are taken the shade with deco bar as example.

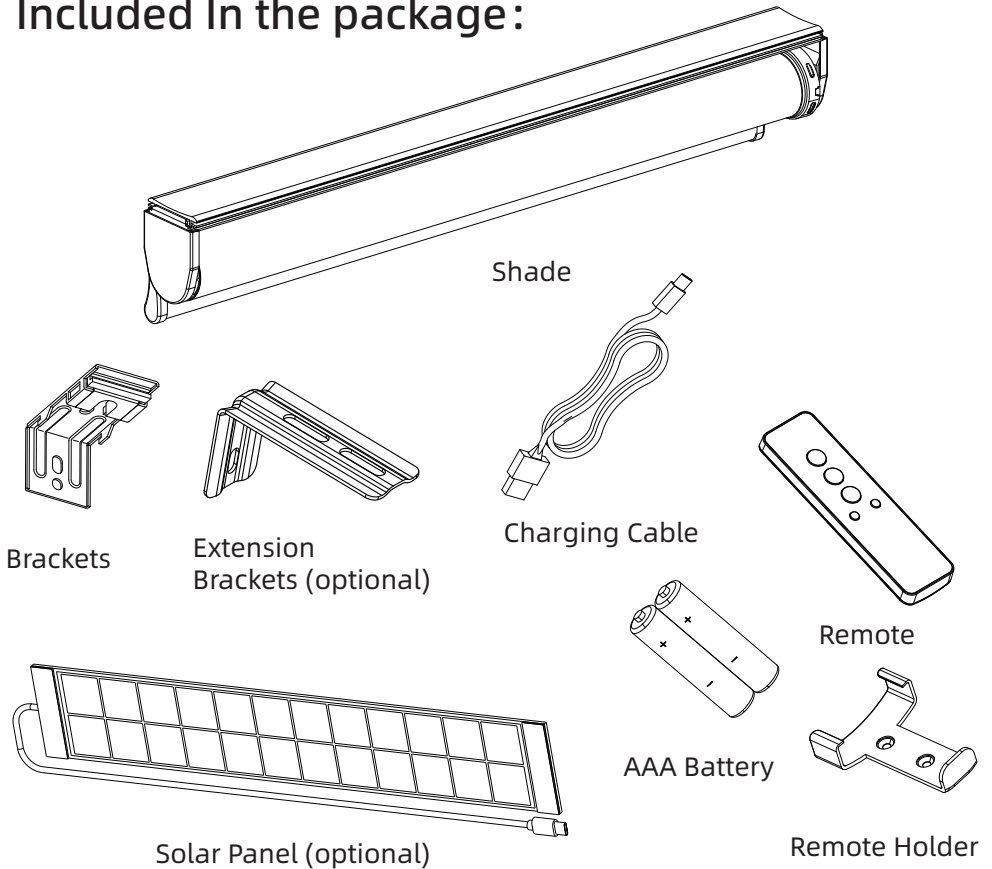
TABLE OF CONTENTS

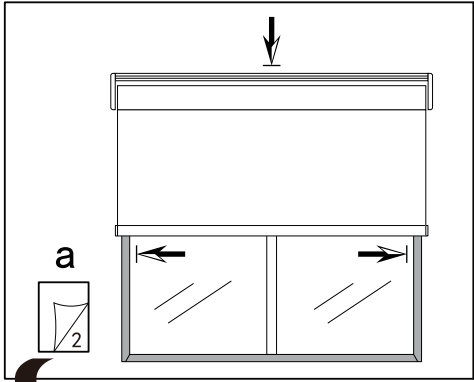
1. Preparation.....	1
2. Outside Mount.....	2
3. Inside Mount.....	8
4. Cassette with Fabric Insert.....	12
5. Square Valanec.....	13
6. How to Charge the Shade.....	14
7. How to Install the Remote Holder.....	16

Required Tools for Installation :



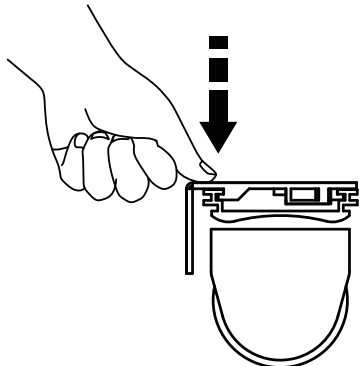
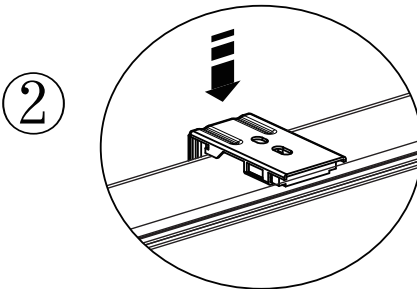
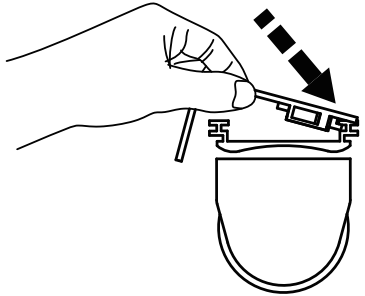
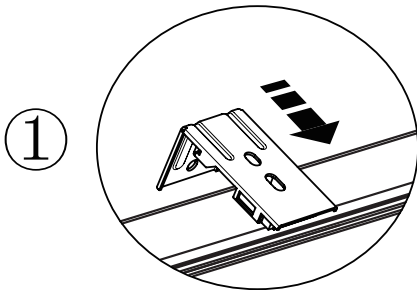
Included In the package:



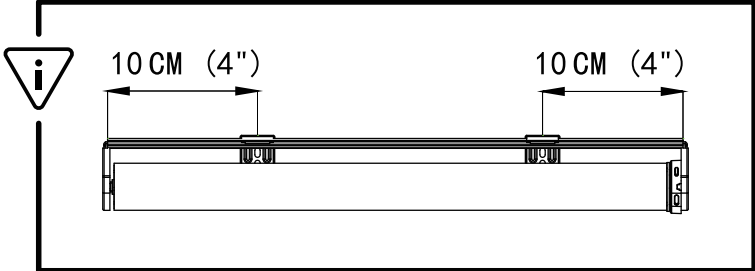
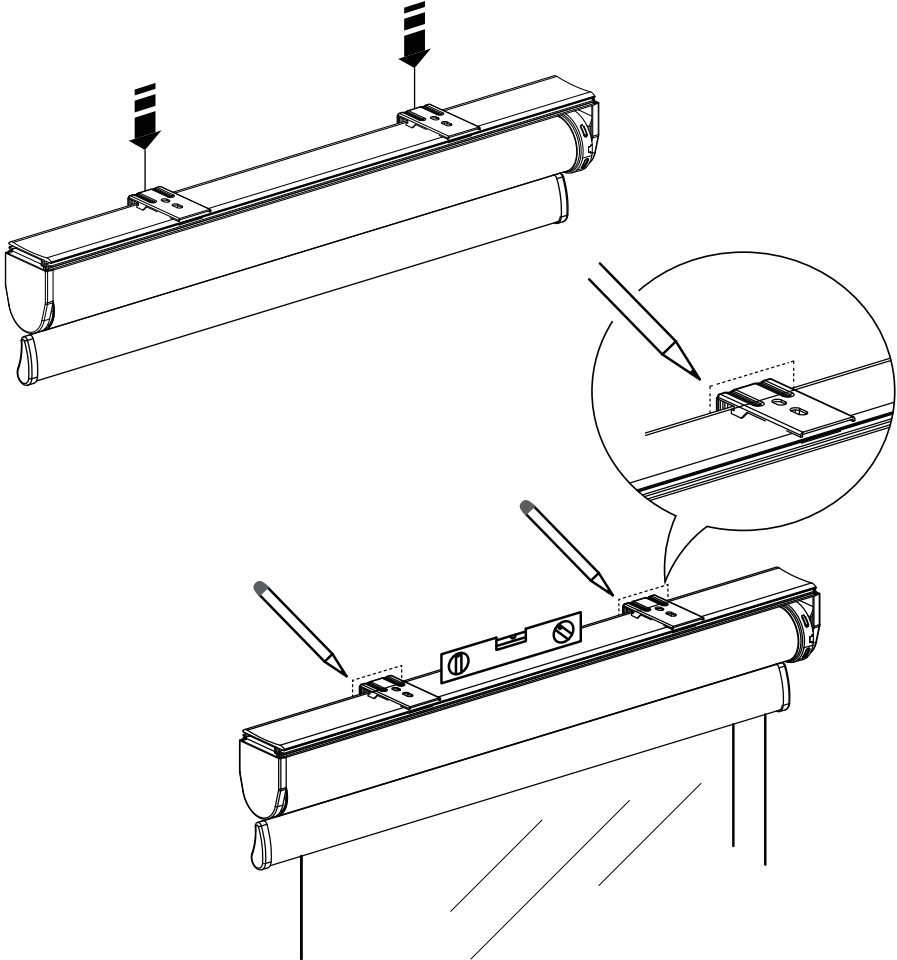


Outside Mount

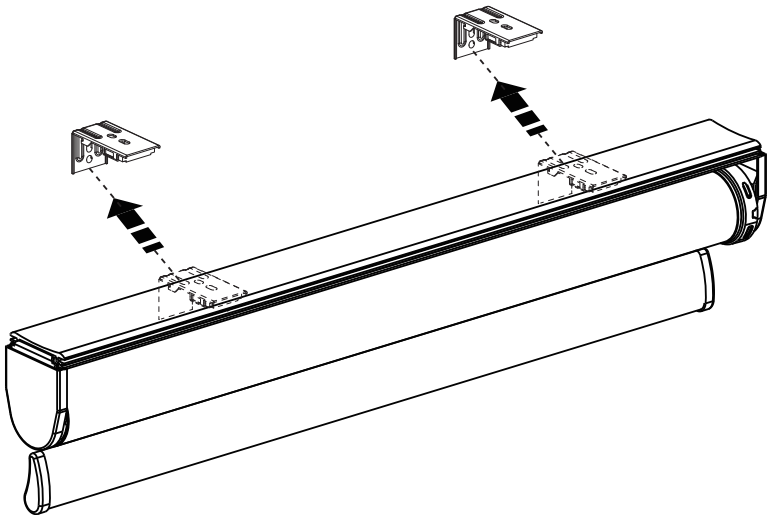
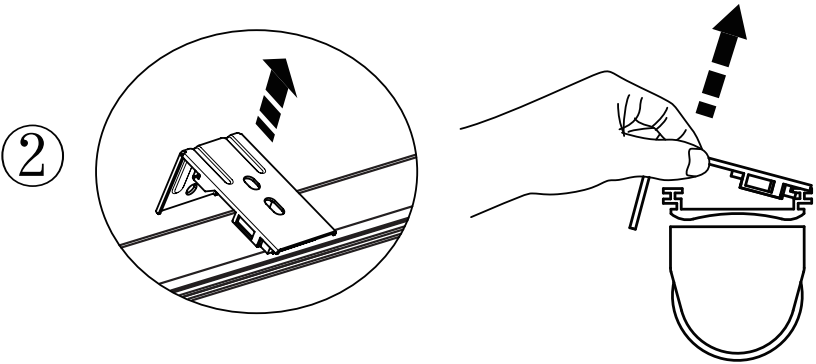
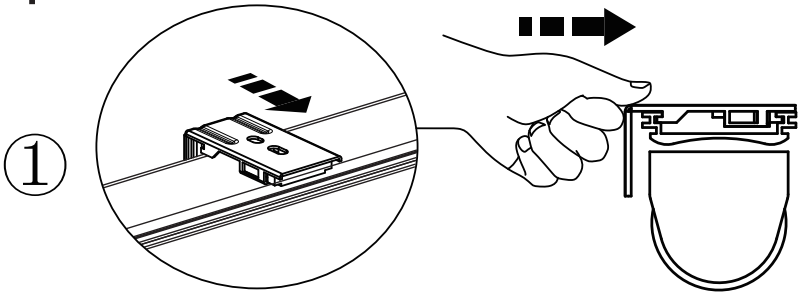
Step a-1



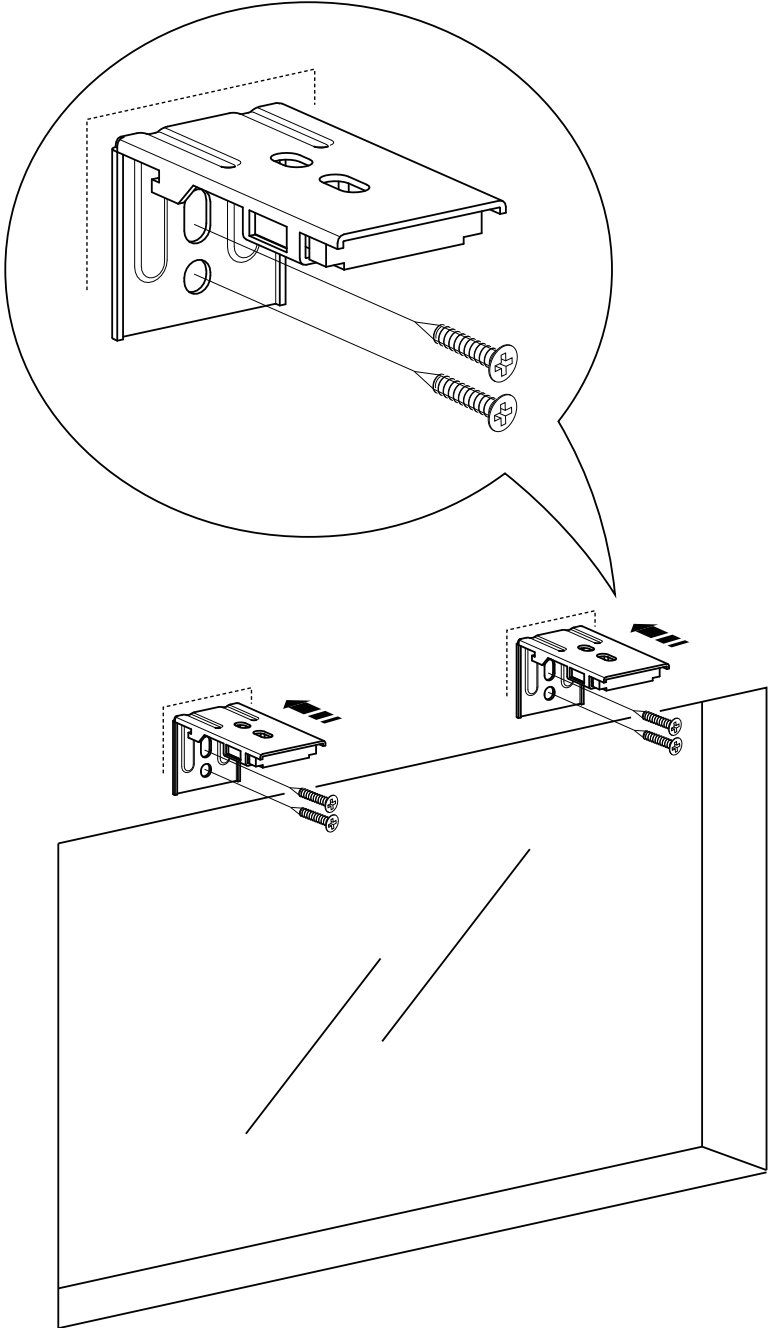
Step a-2



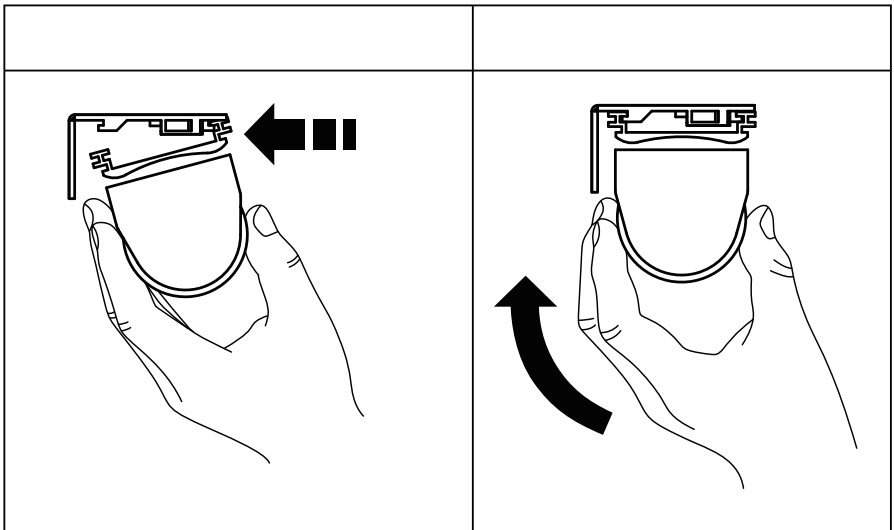
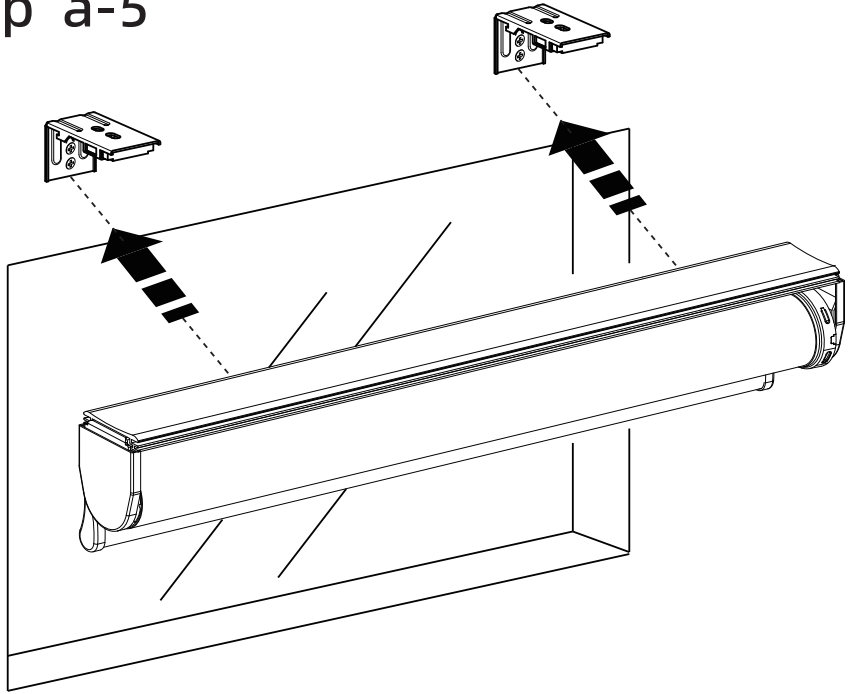
Step a-3



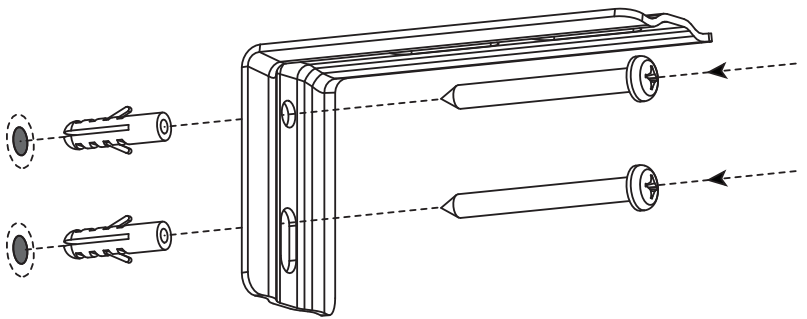
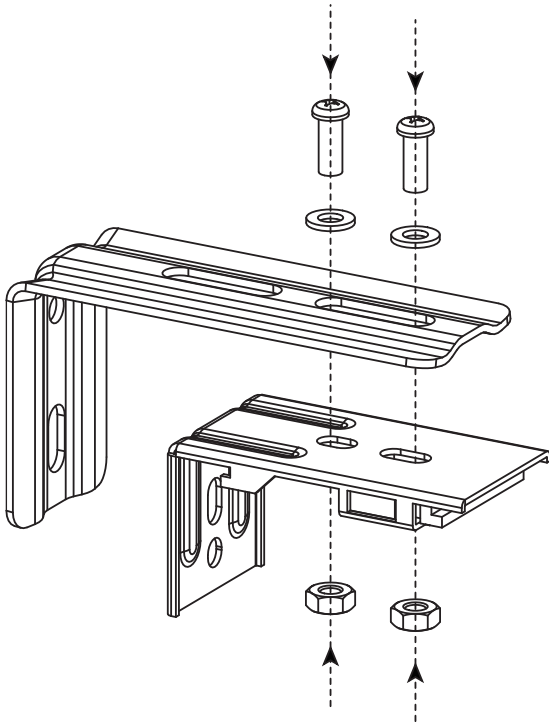
Step a-4

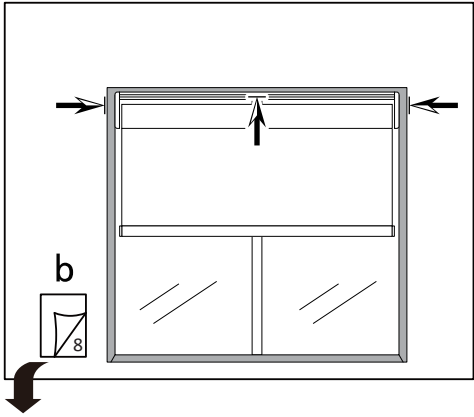


Step a-5



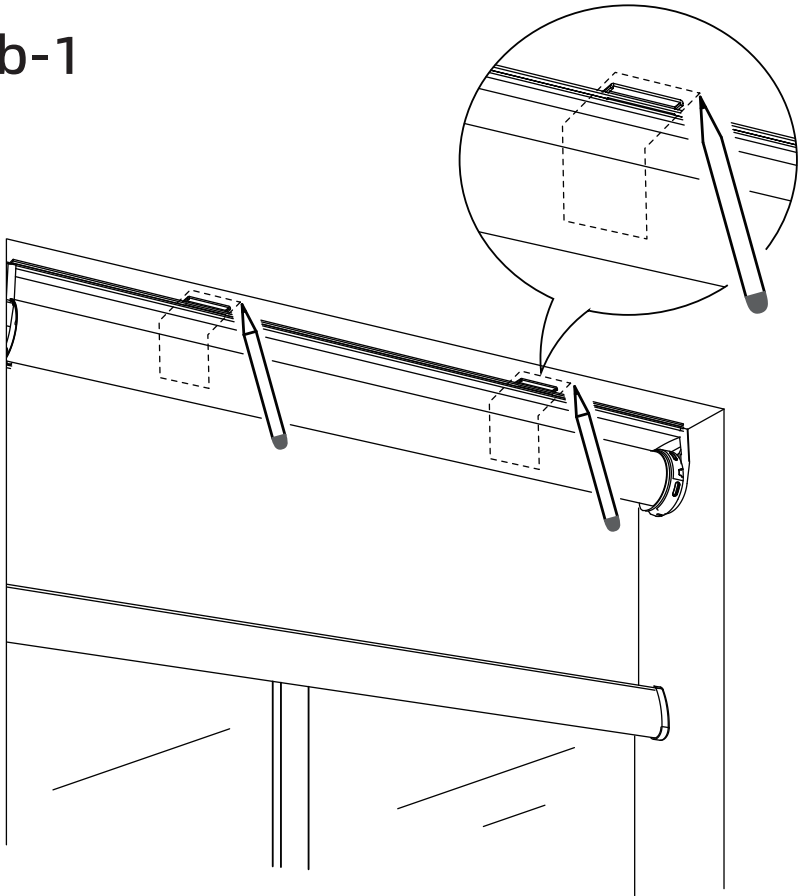
Step a-6



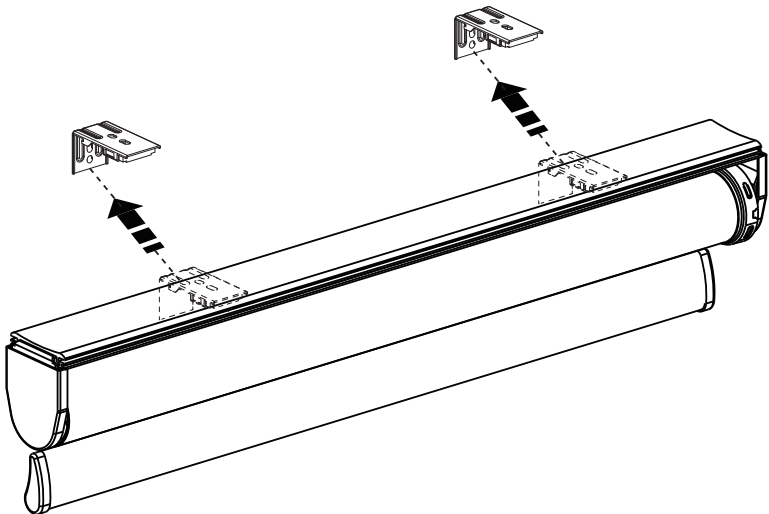
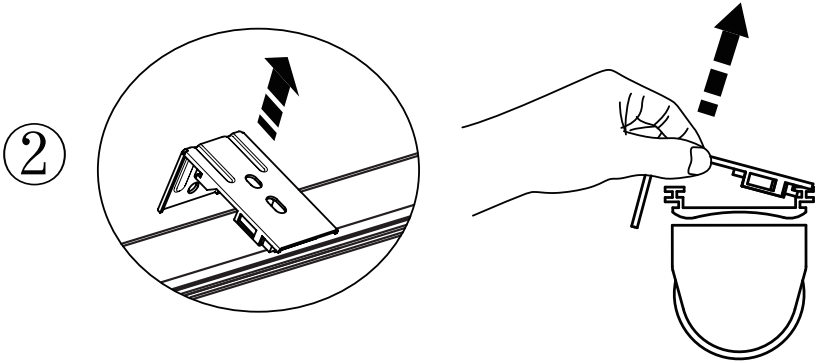
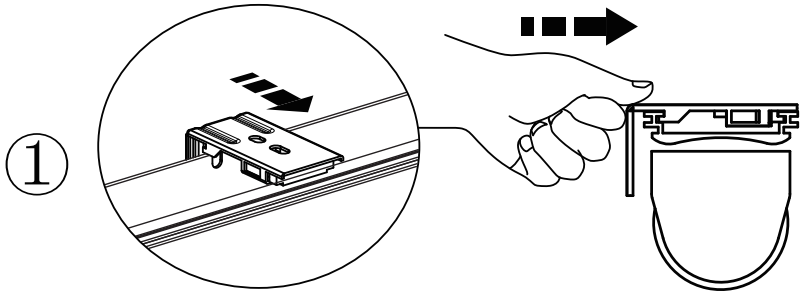


Inside Mount

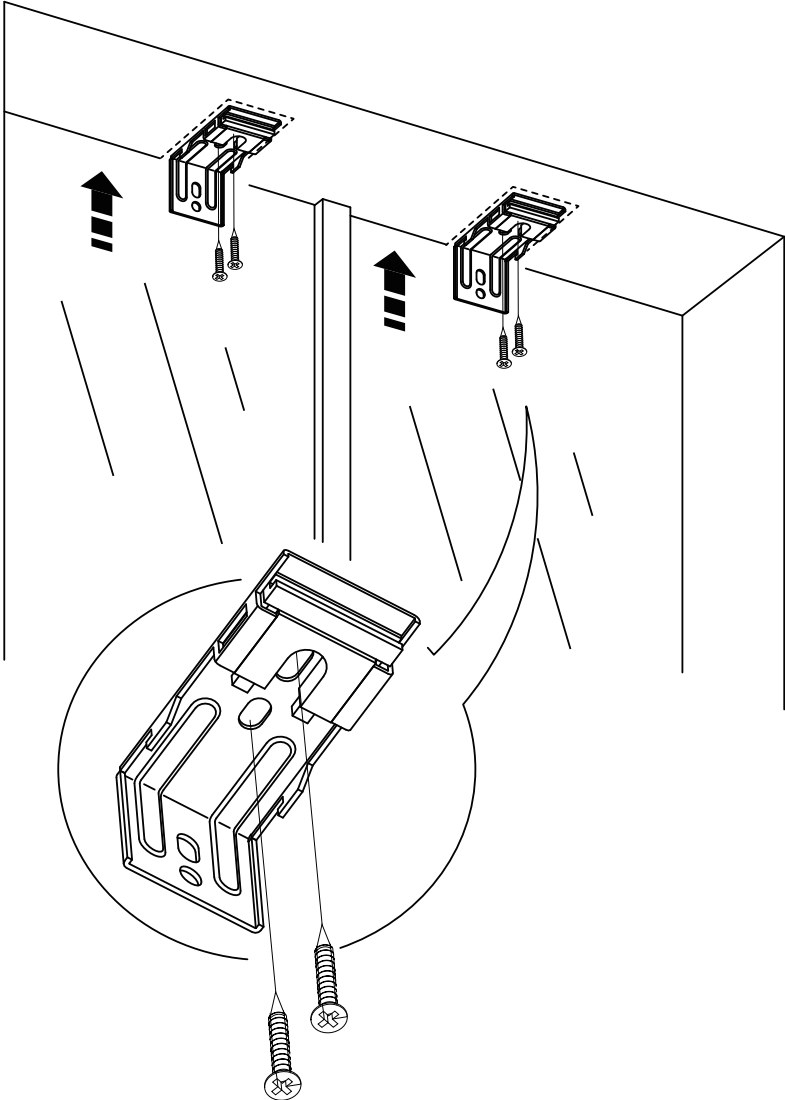
Step b-1



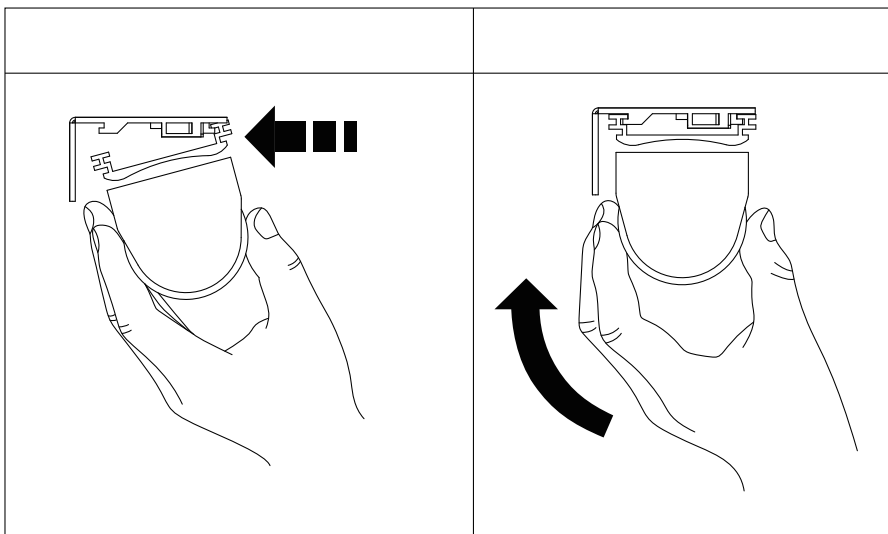
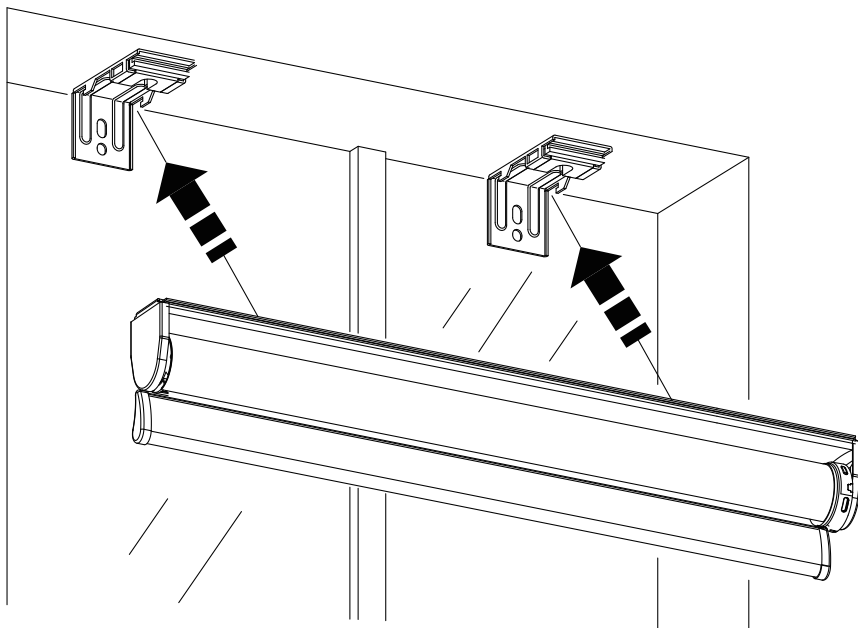
Step b-2



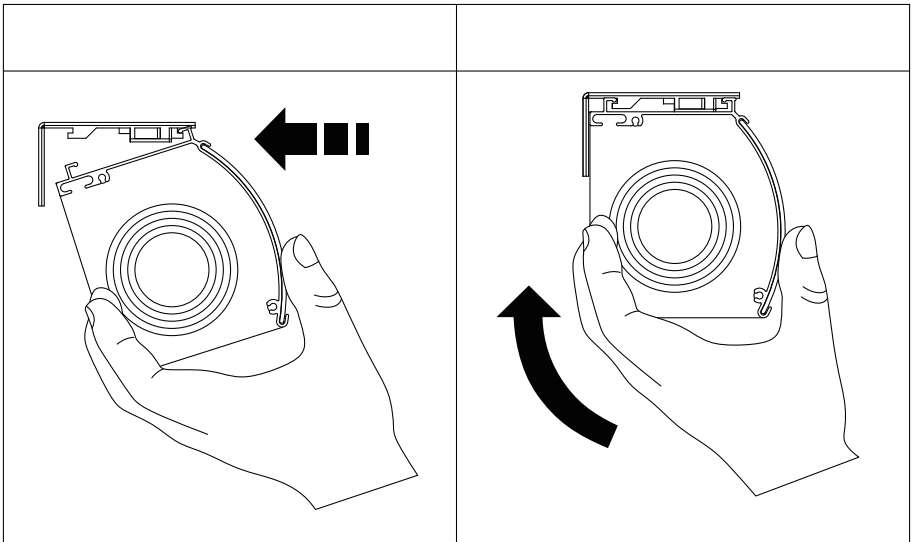
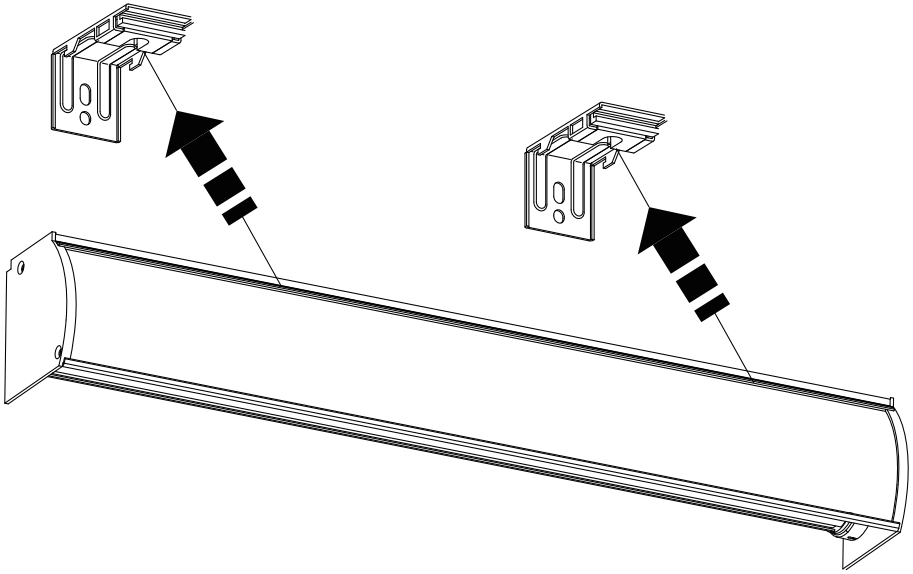
Step b-3



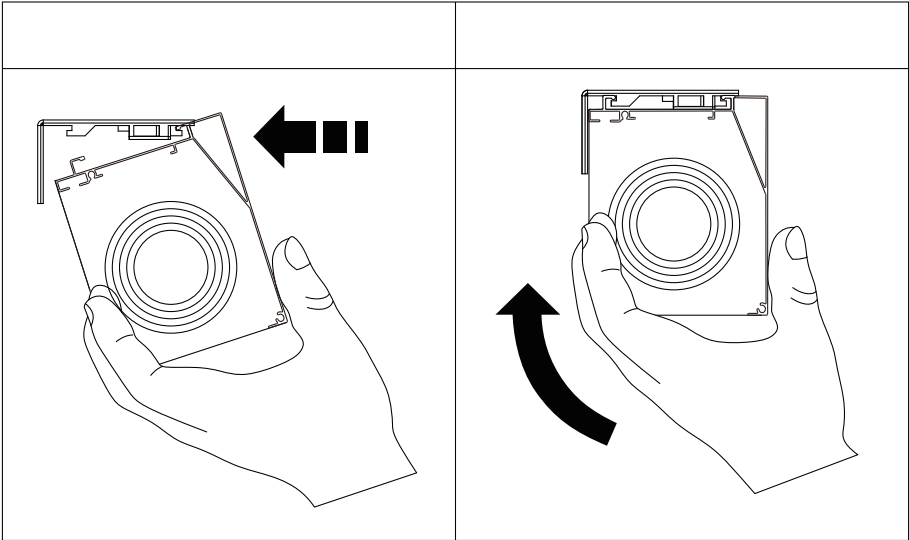
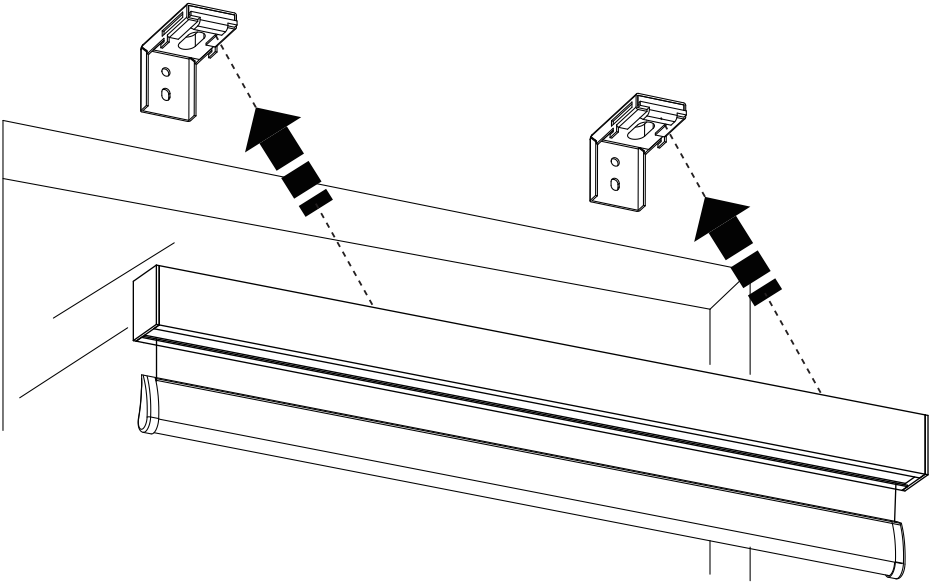
Step b-4



Cassette with Fabric Insert

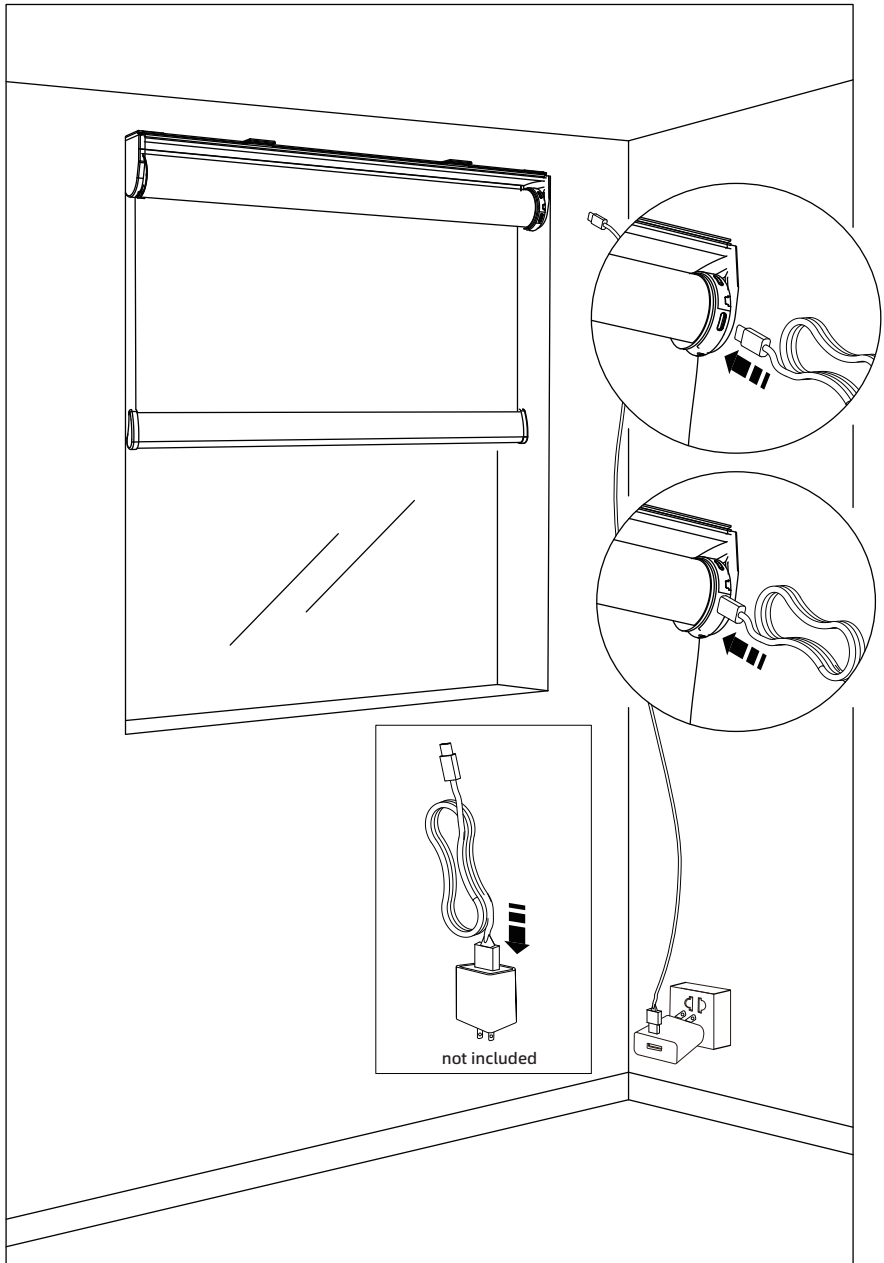


Square Valance

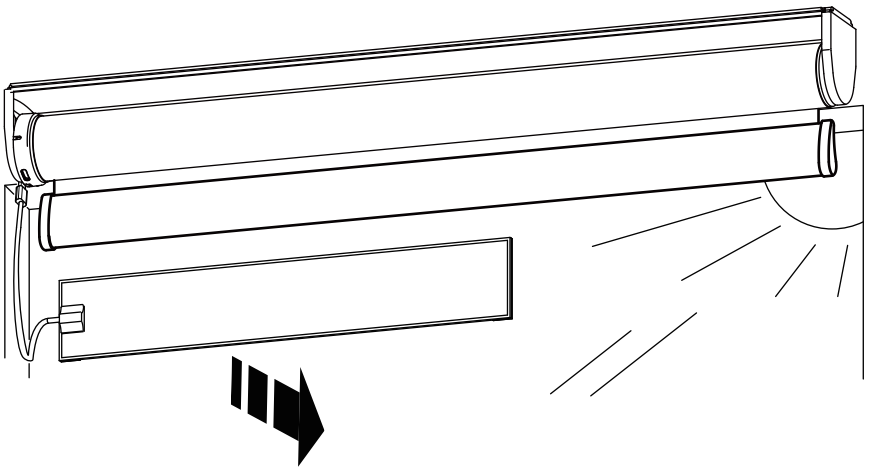
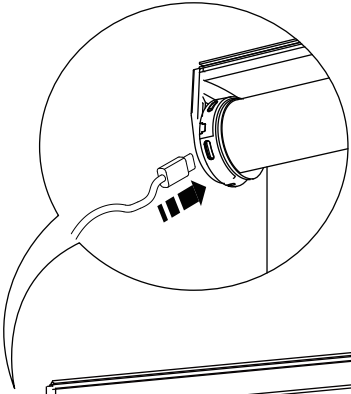
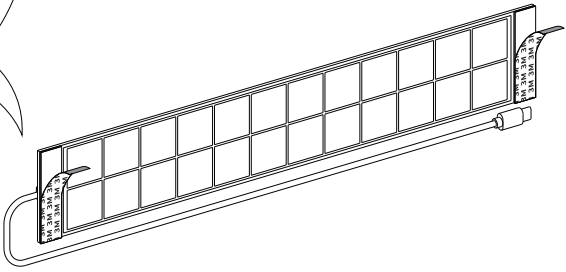
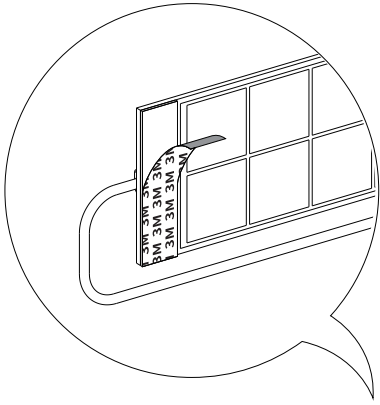


How to Charge the Shade

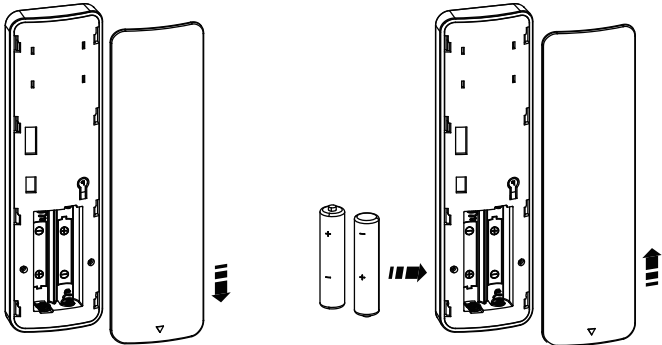
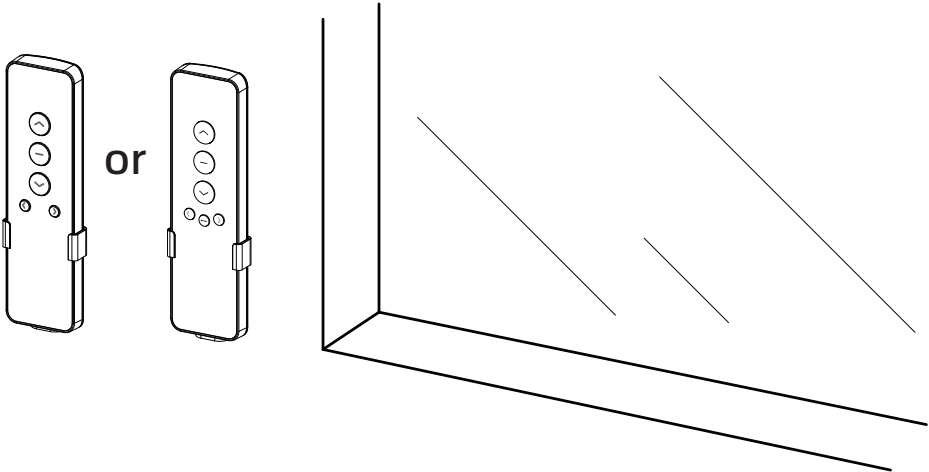
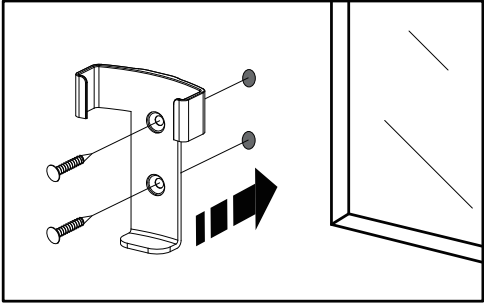
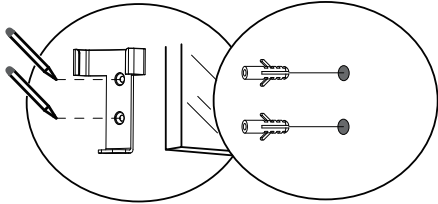
Option 1: USB-C Charging Cable



Option 2: Solar Panel

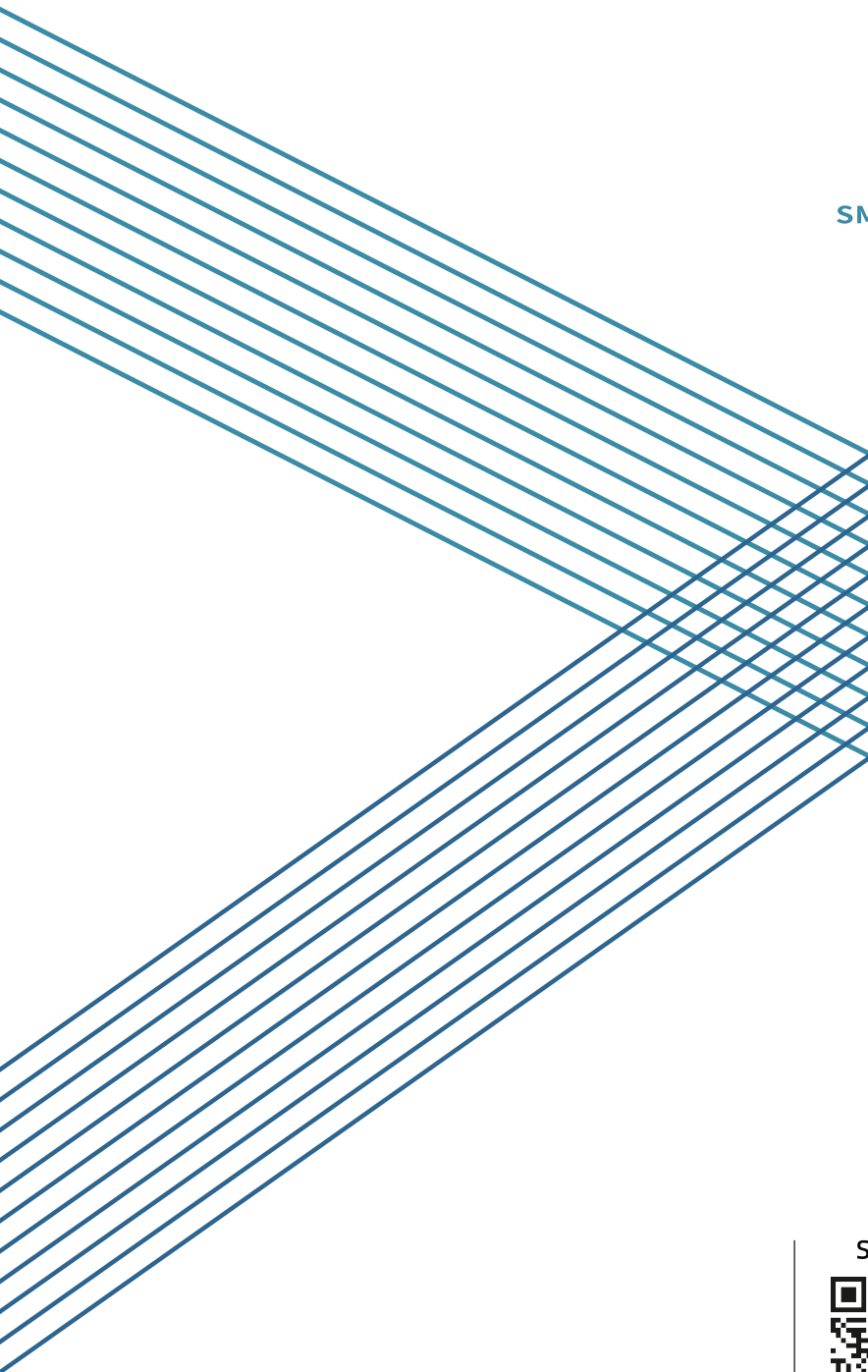


How to Install the Remote Holder





SMARTWINGS



Social Media



T +1 877 762 7861

www.smartwingshome.com

support@smartwingshome.com