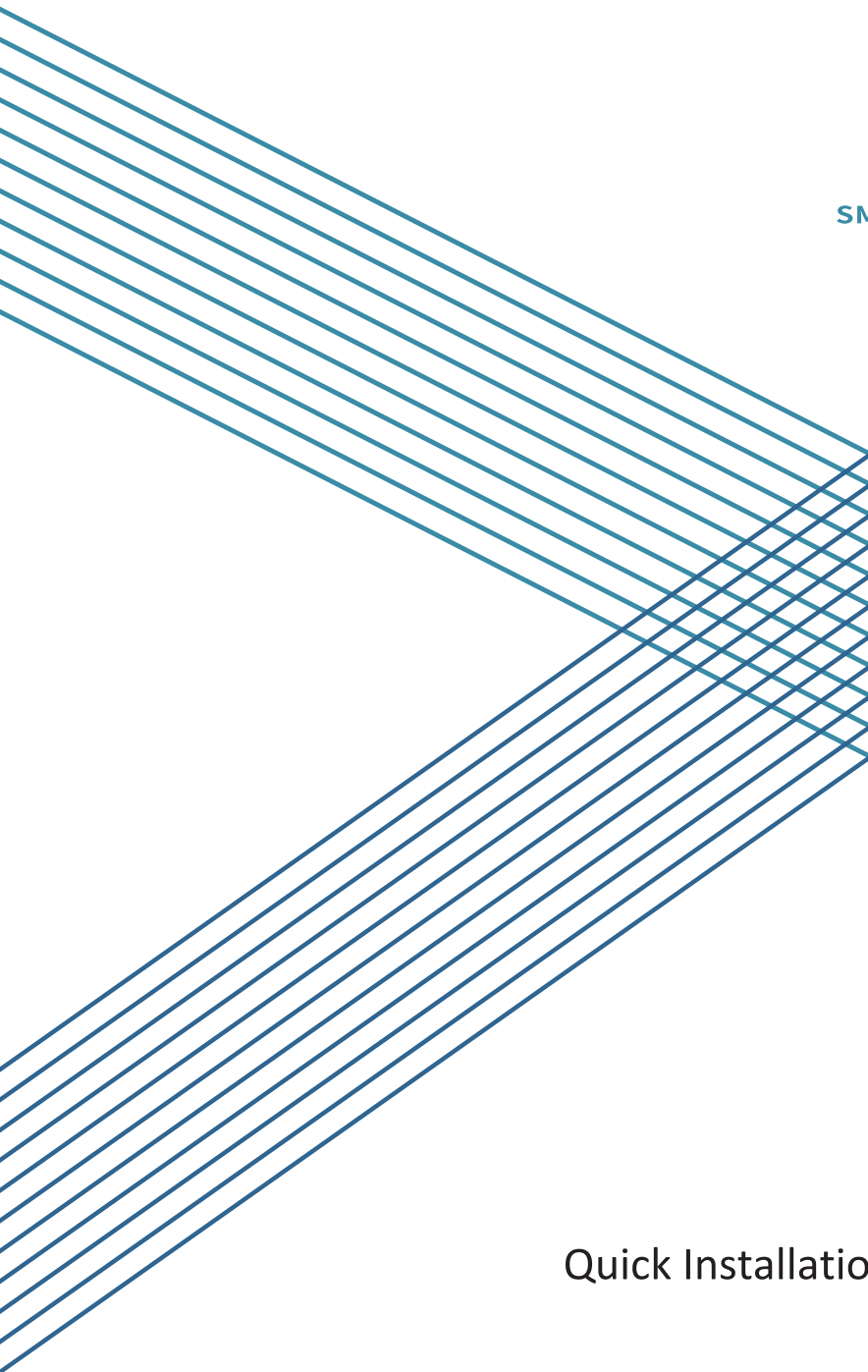


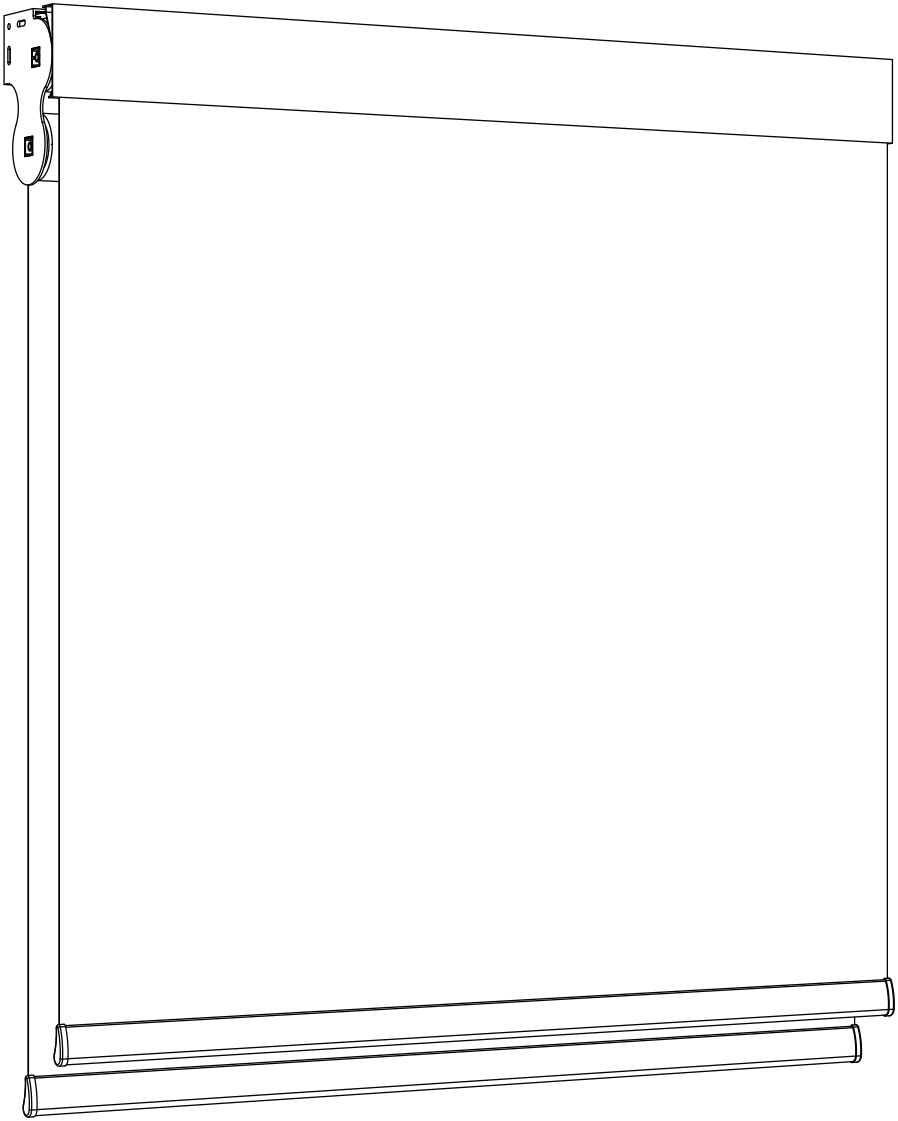


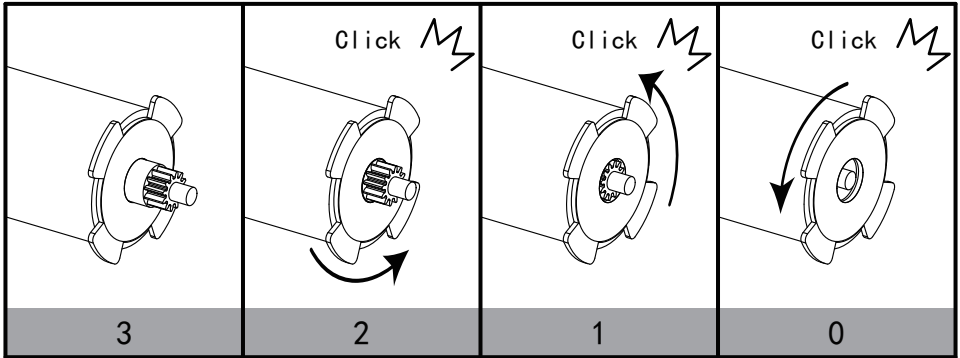
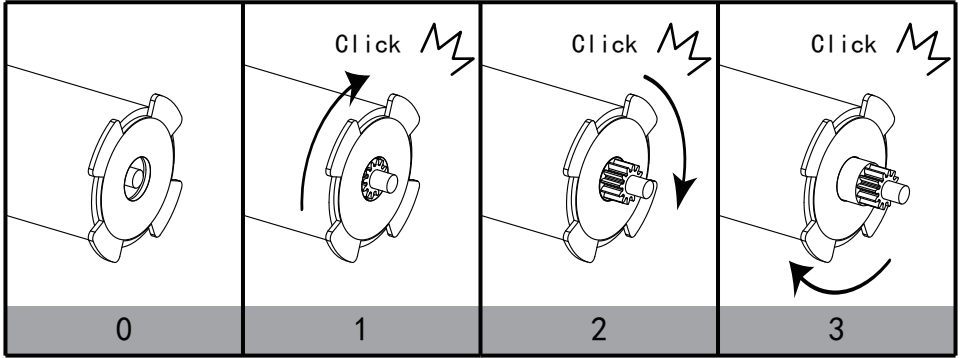
SMARTWINGS



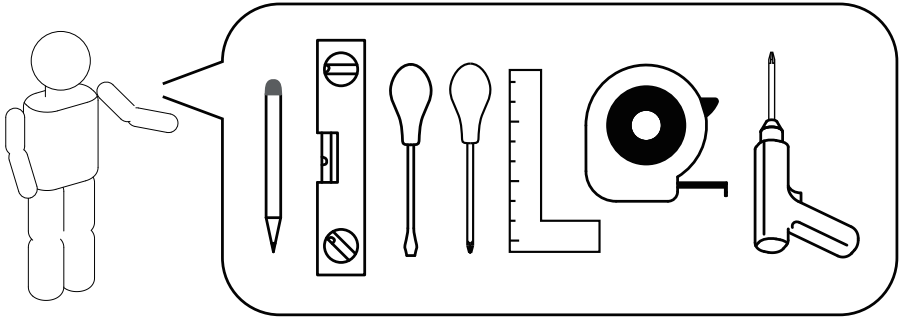
# Quick Installation Guide

INS-C017

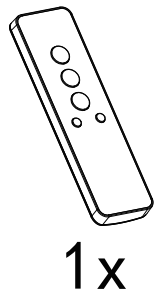
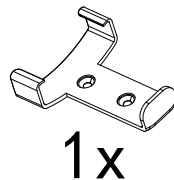
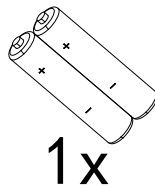
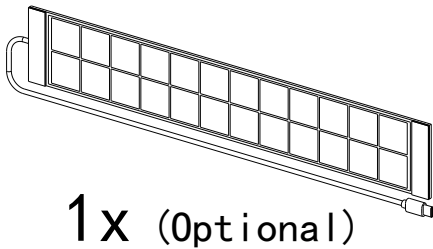
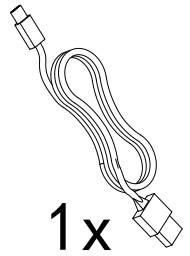
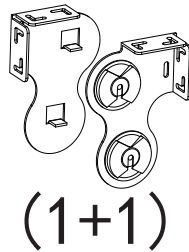
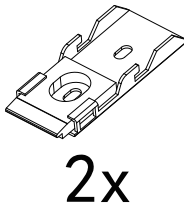
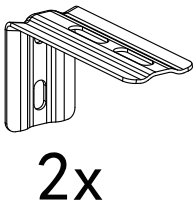
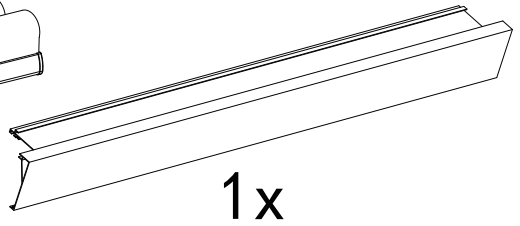
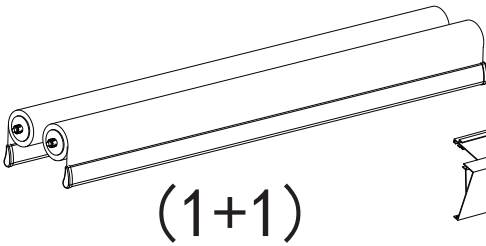


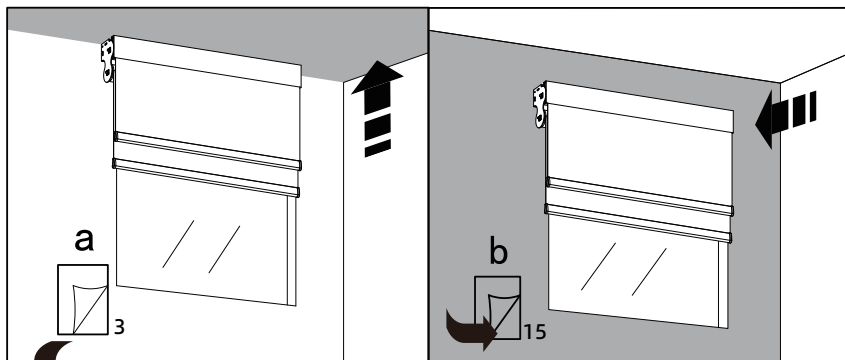


TOOLS YOU WILL NEED :

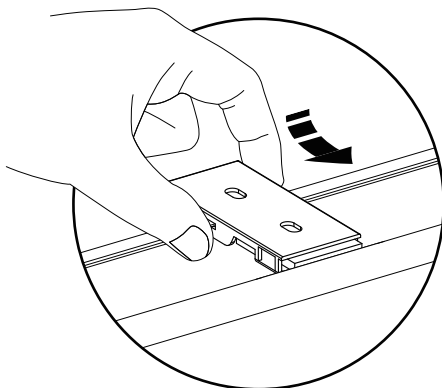
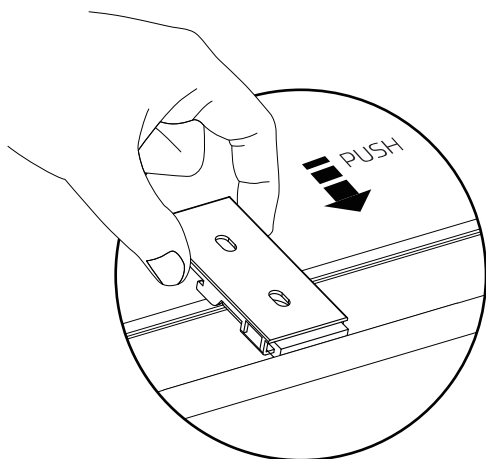
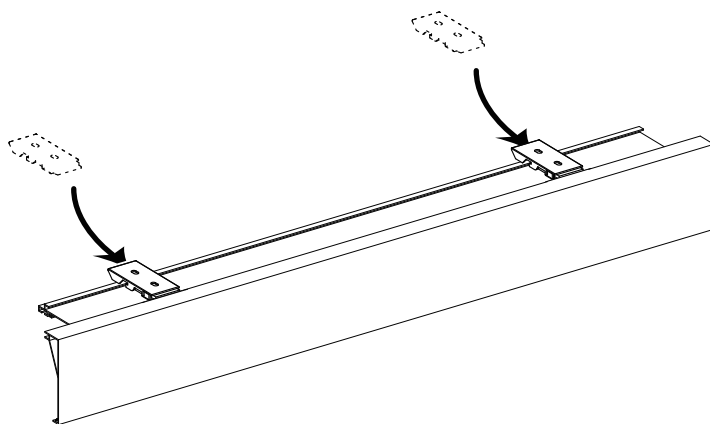


PARTS INCLUDED :

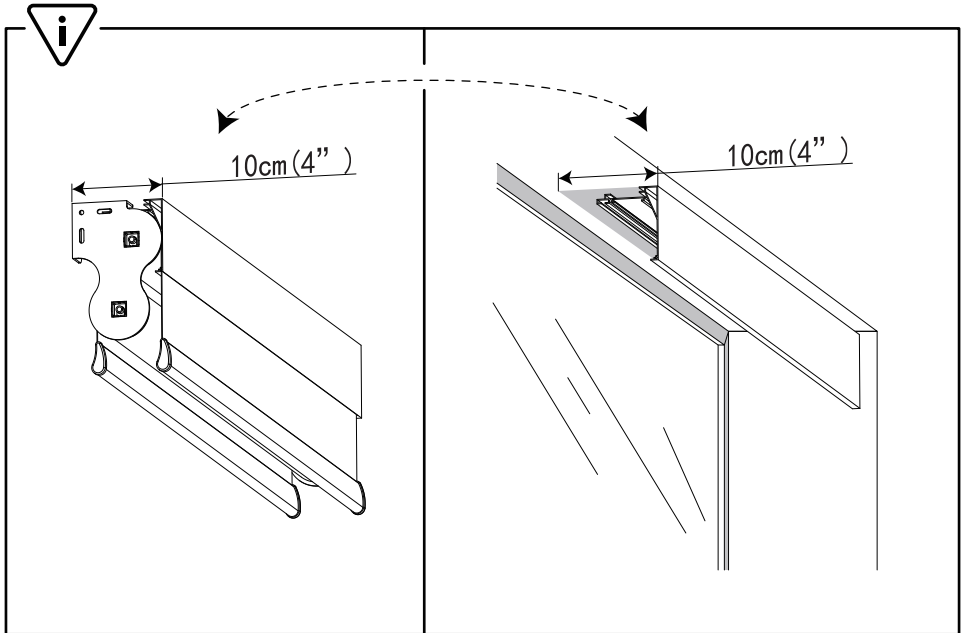
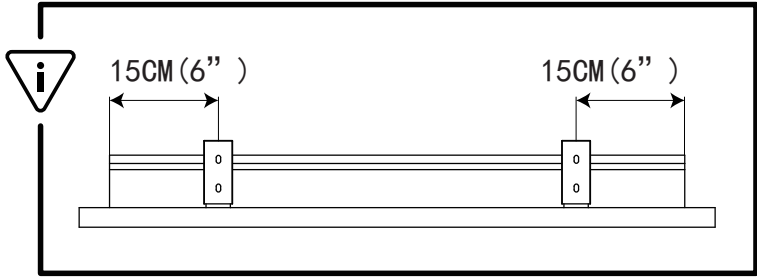


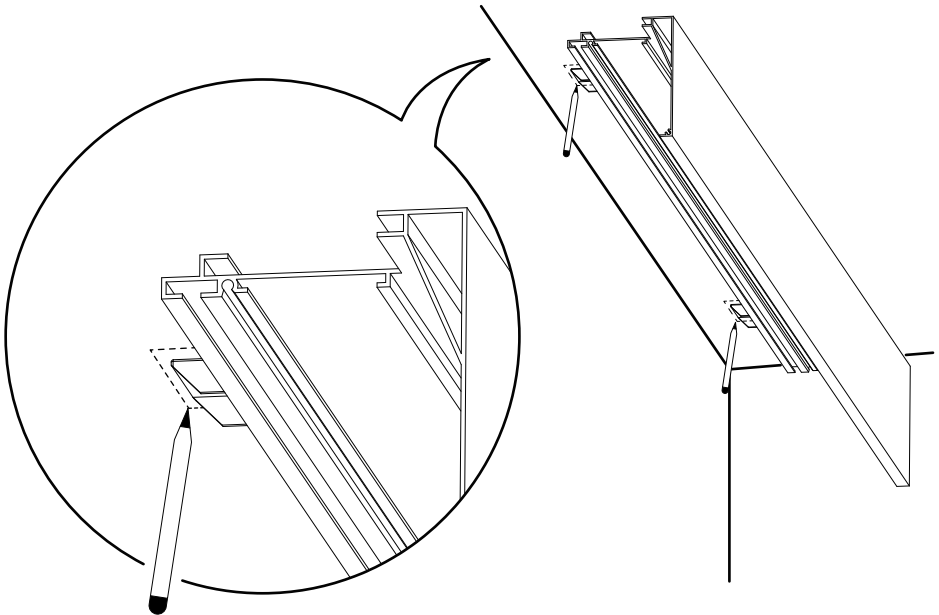
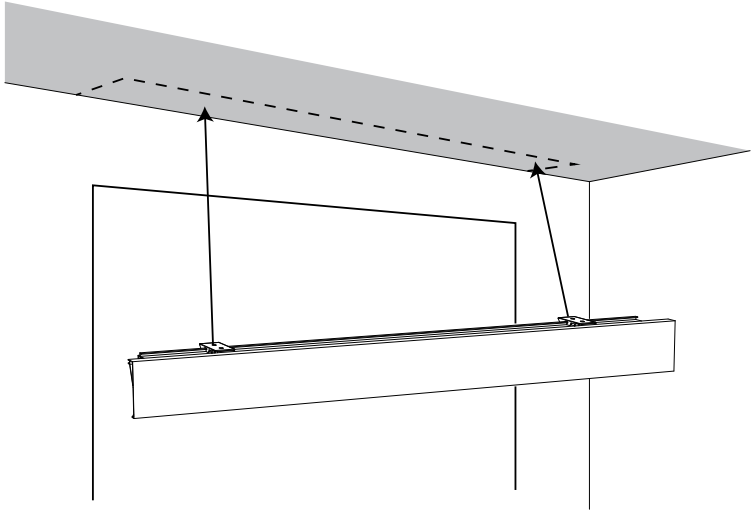


## Step a-1

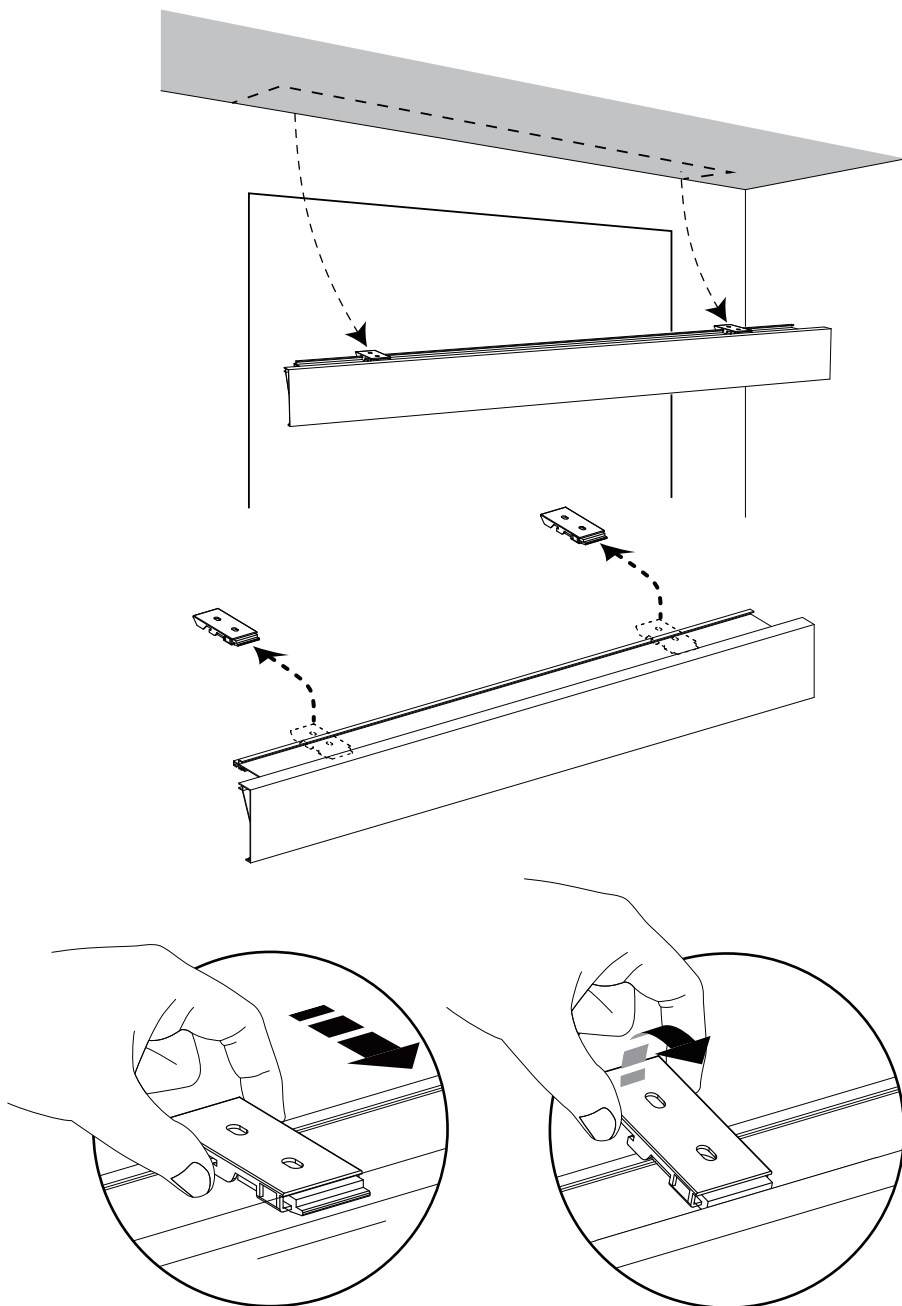


# Step a-2



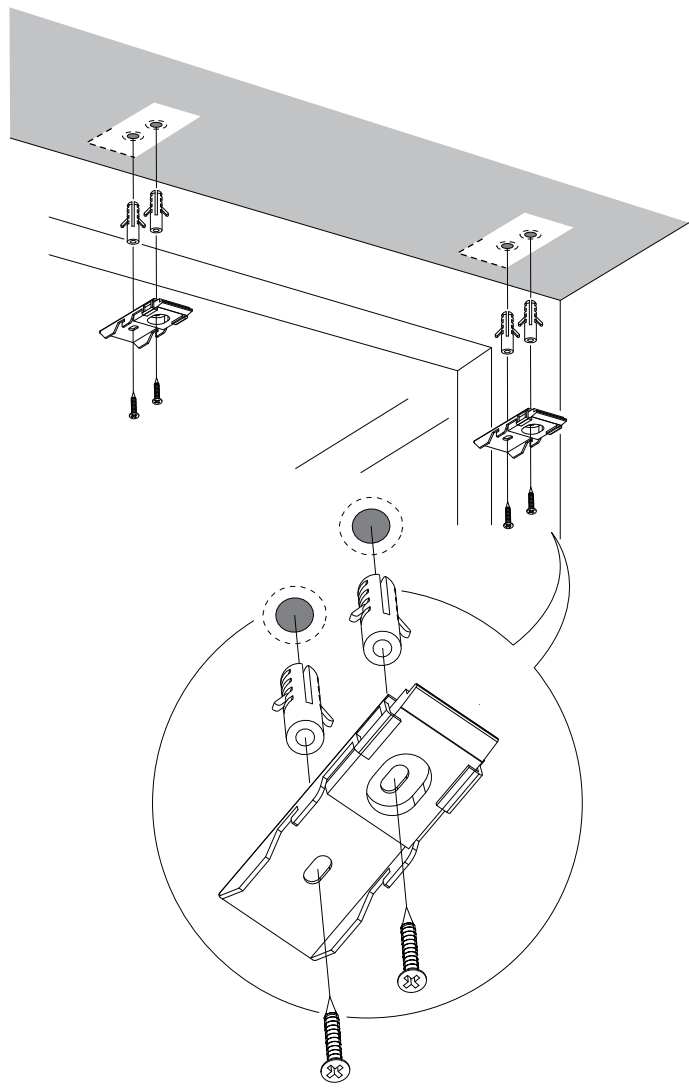


# Step a-3

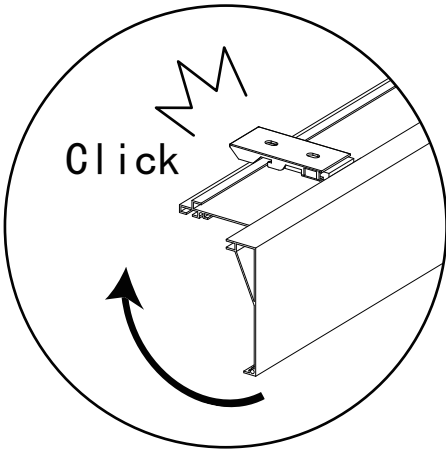
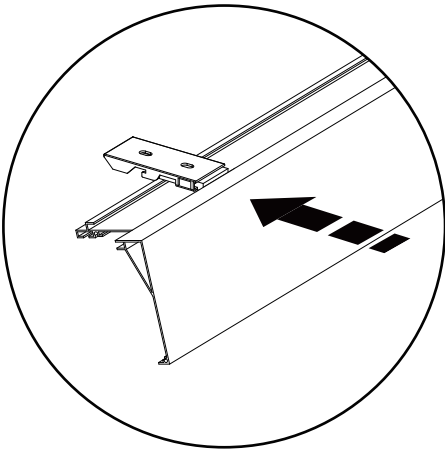
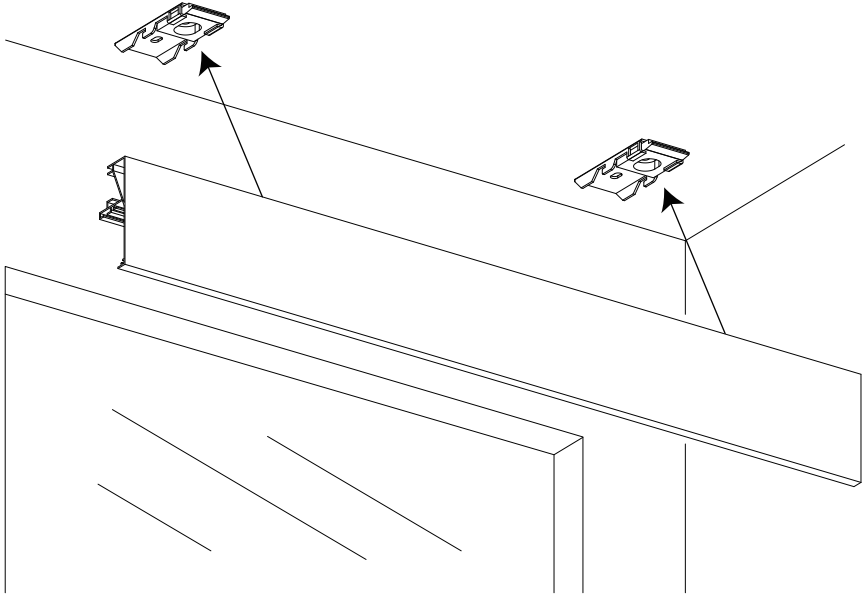




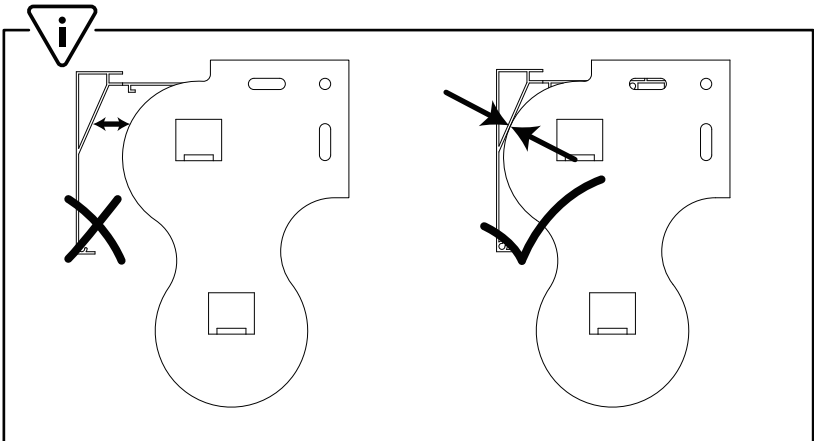
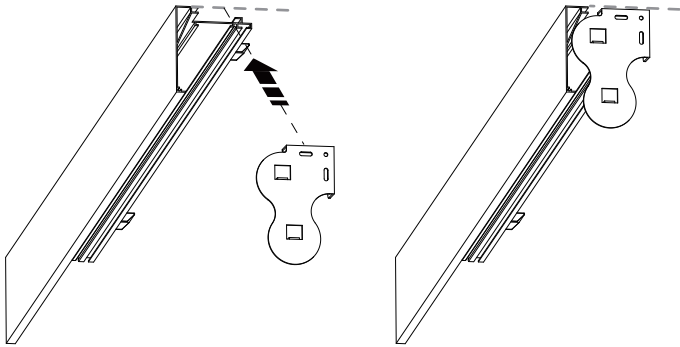
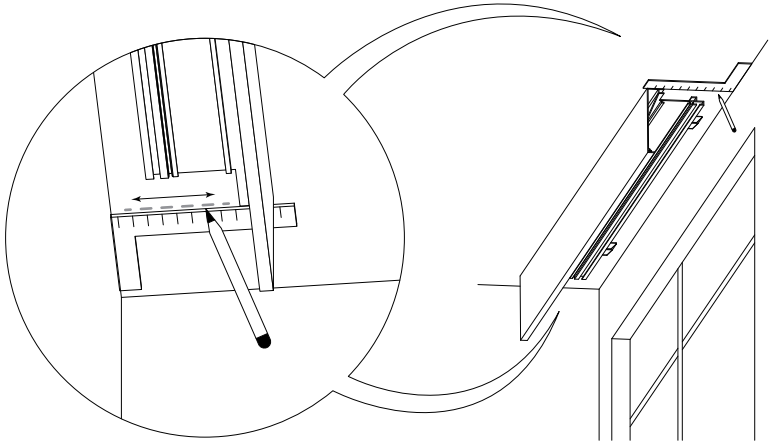
# Step a-4



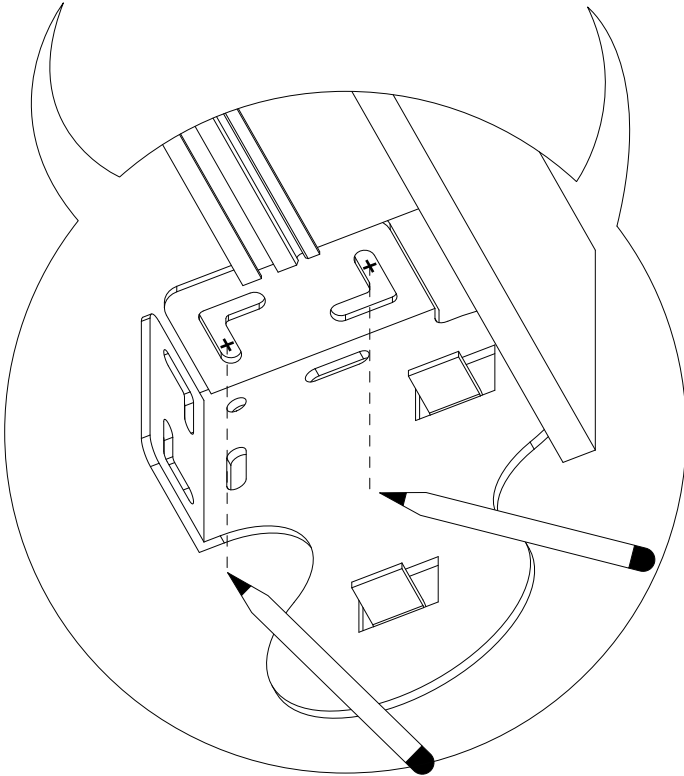
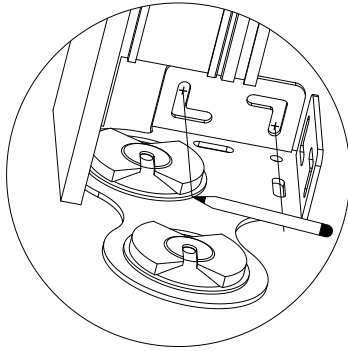
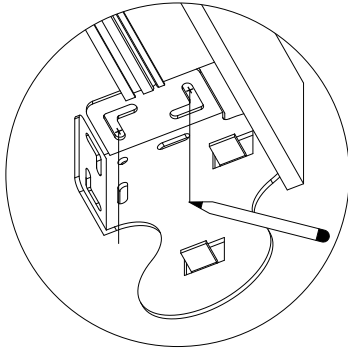
# Step a-5



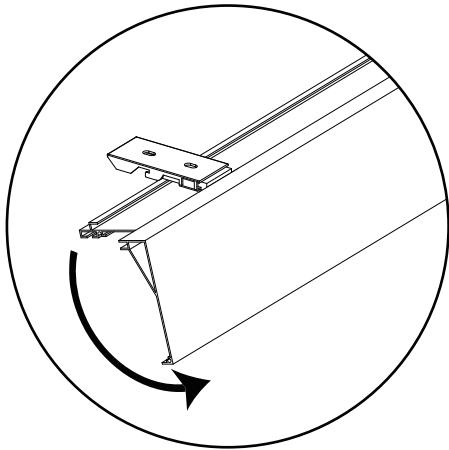
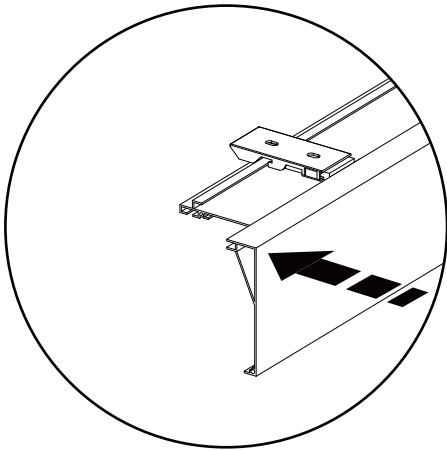
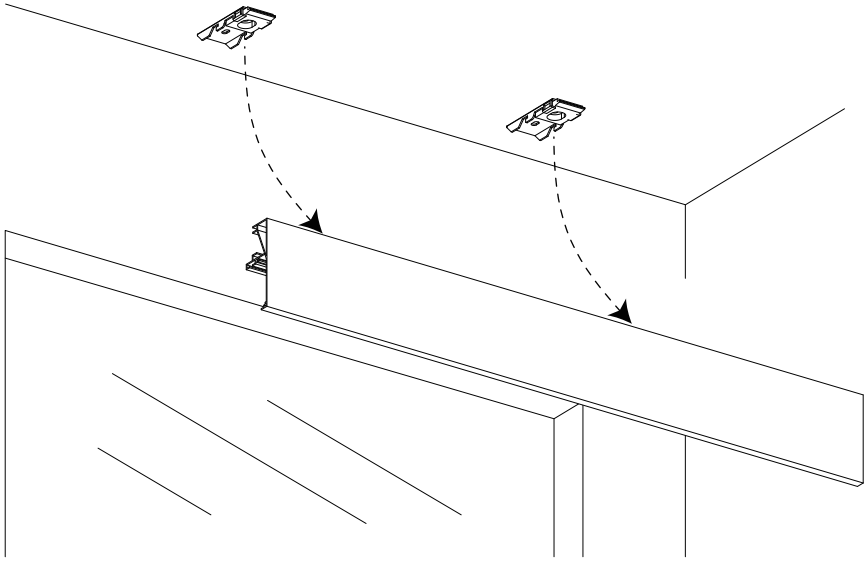
# Step a-6.1



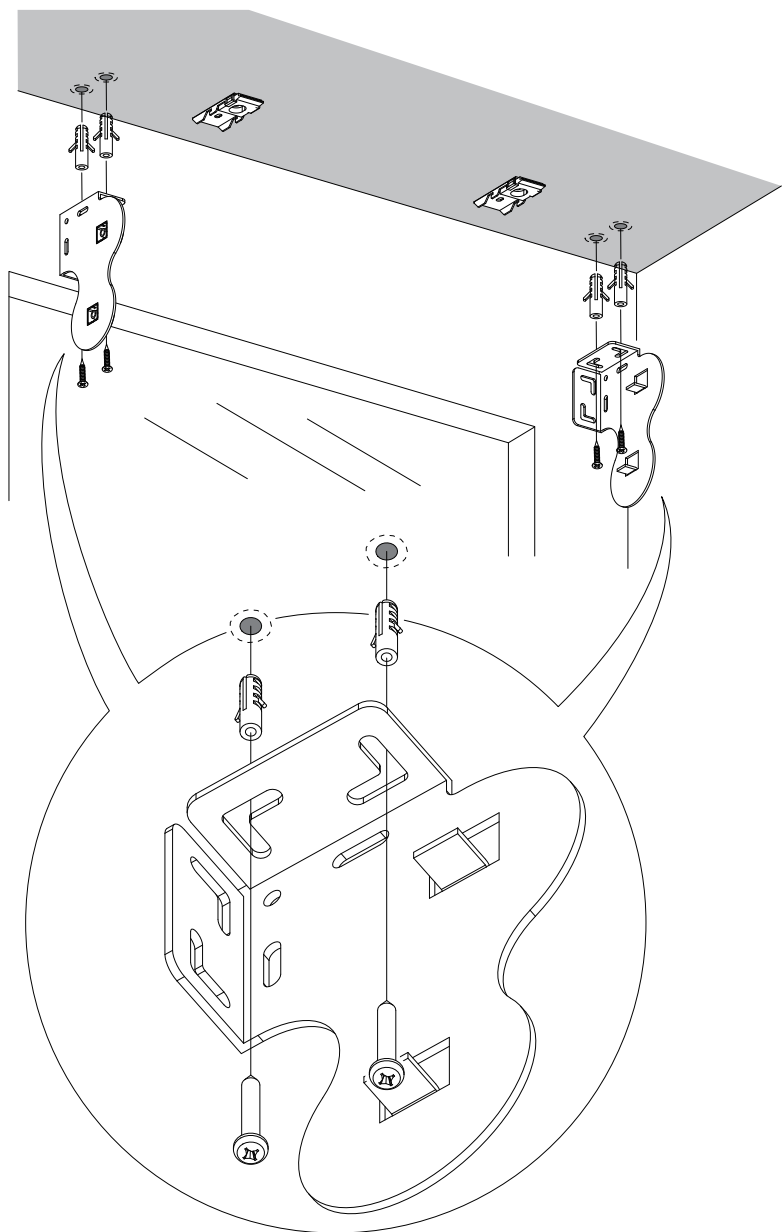
# Step a-6.2



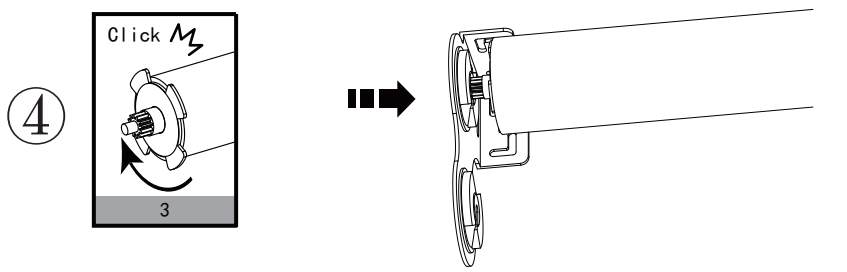
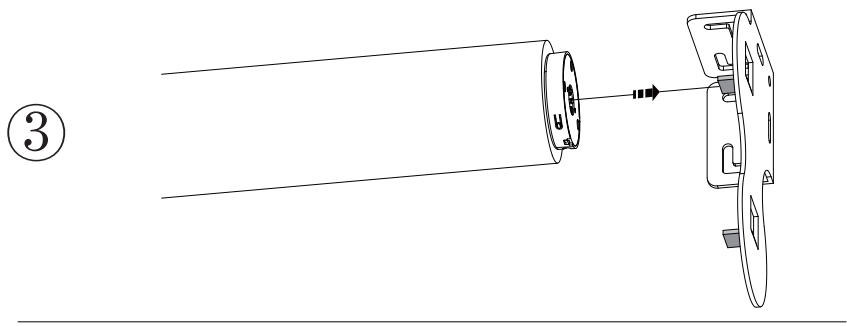
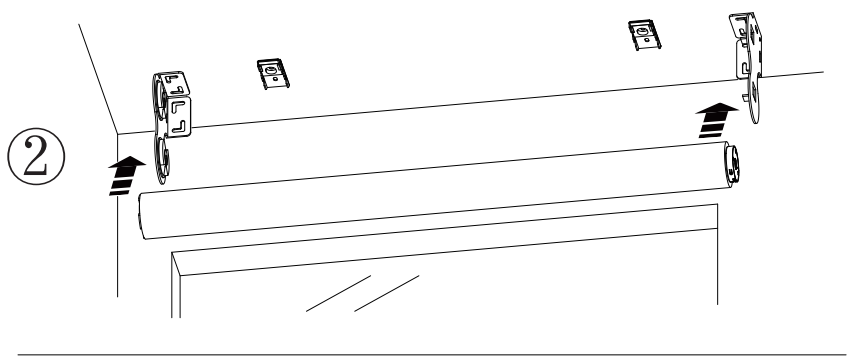
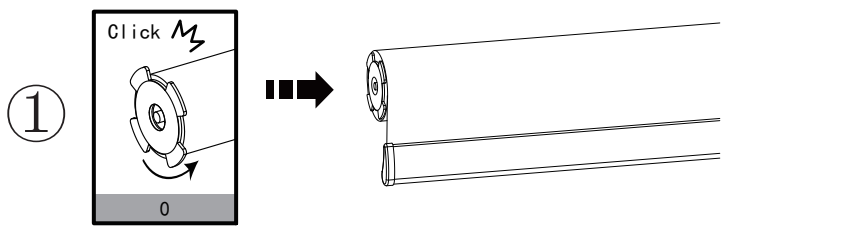
# Step a-7



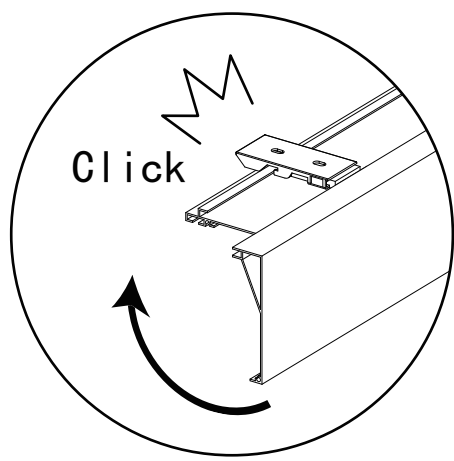
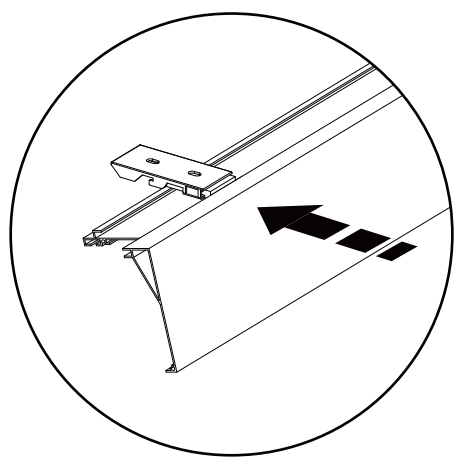
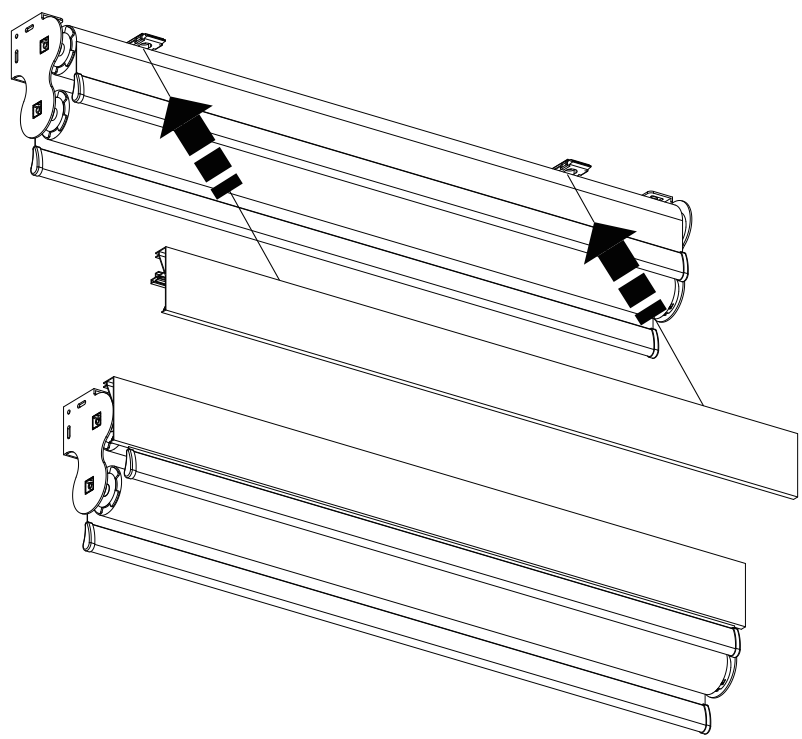
# Step a-8



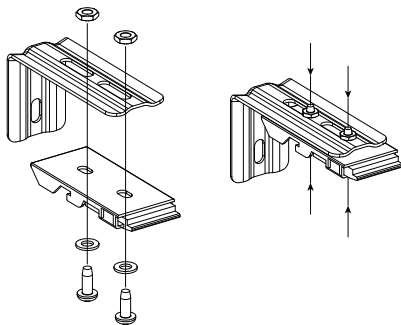
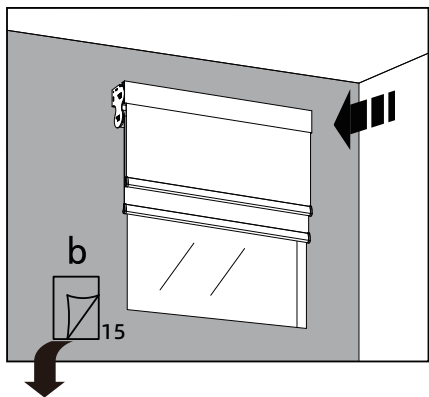
# Step a-9



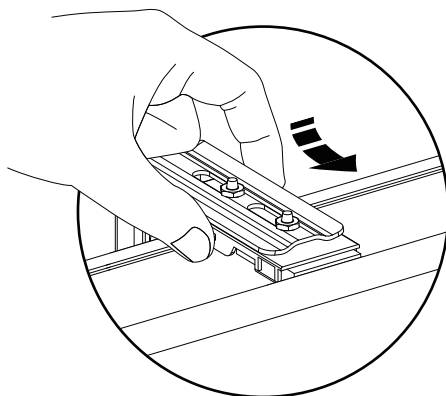
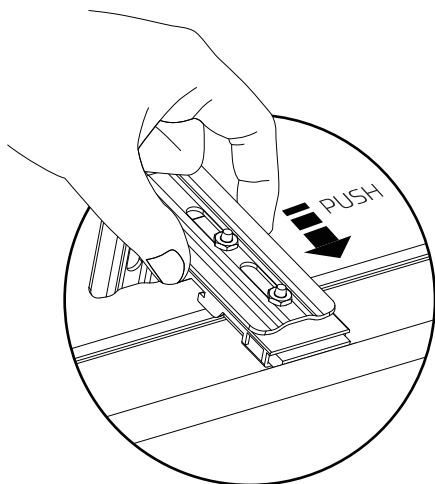
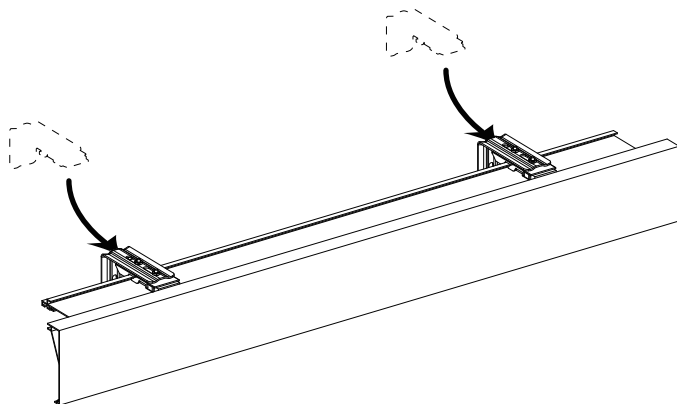
# Step a-10



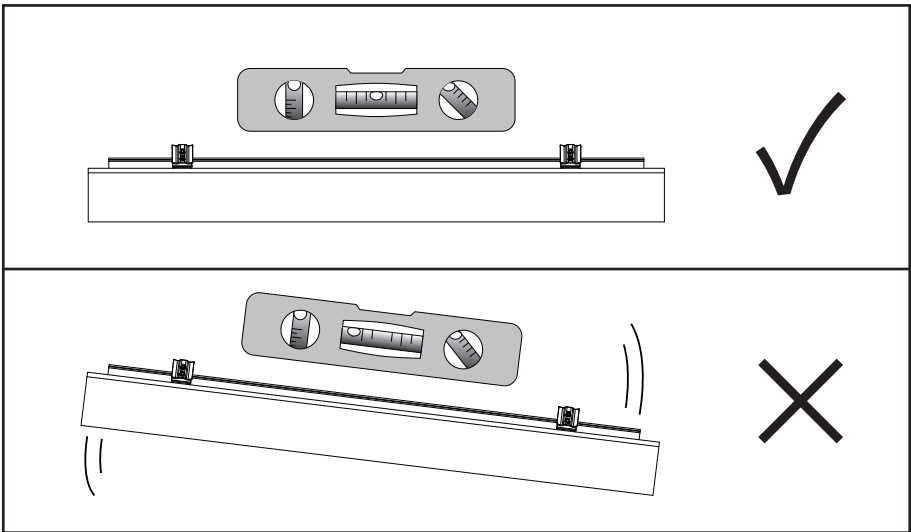
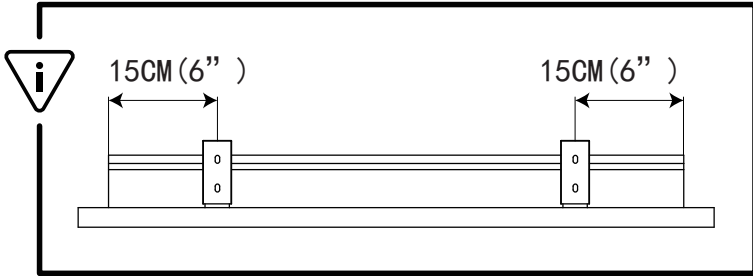


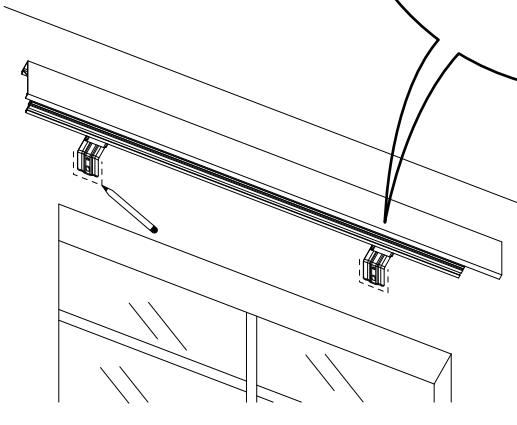
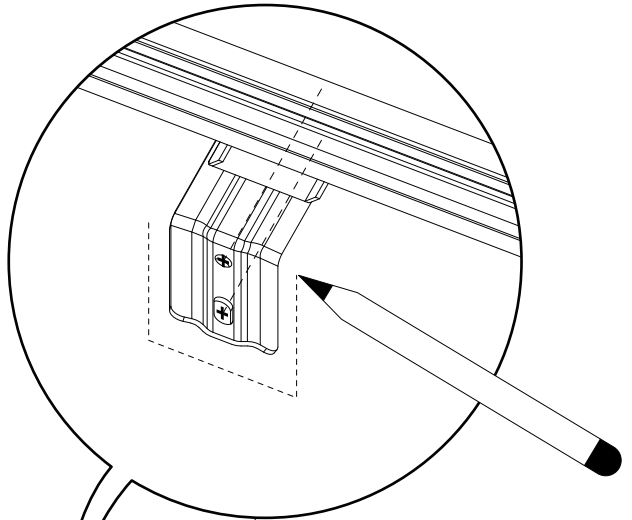
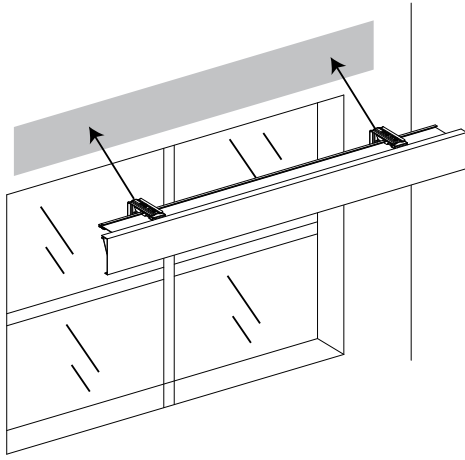


## Step b-1

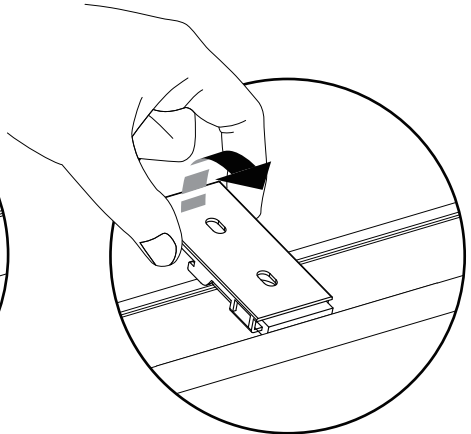
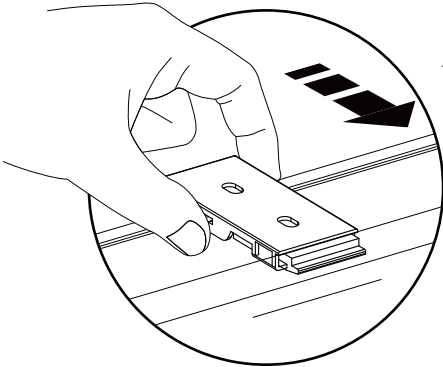
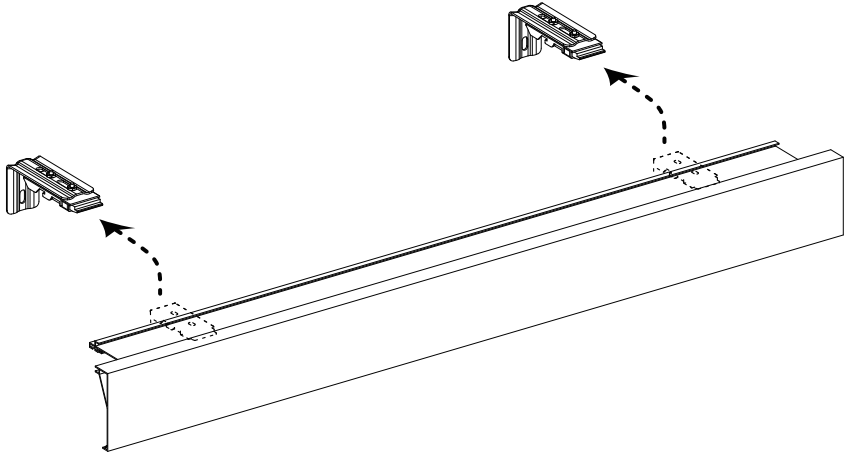


# Step b-2

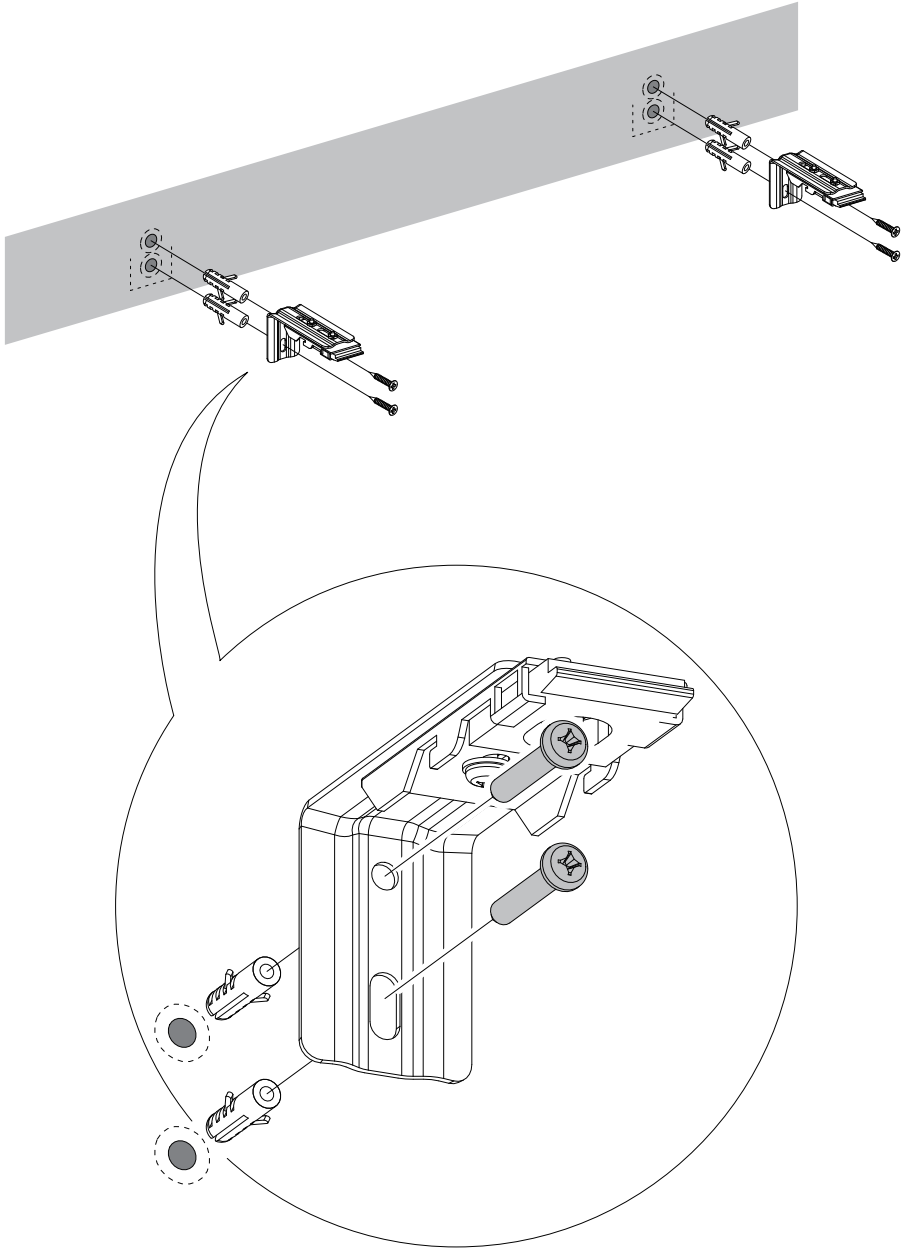




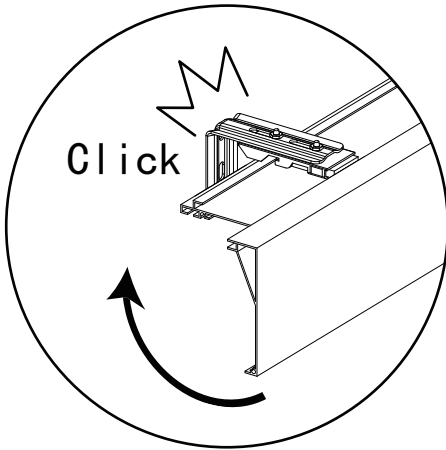
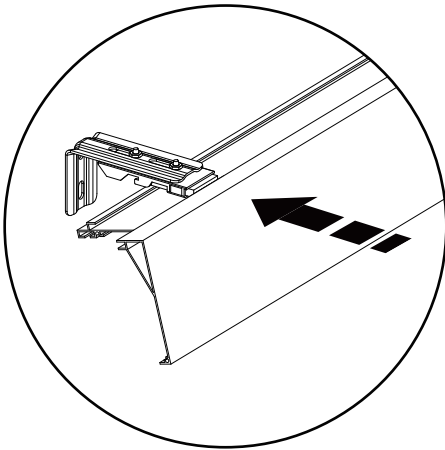
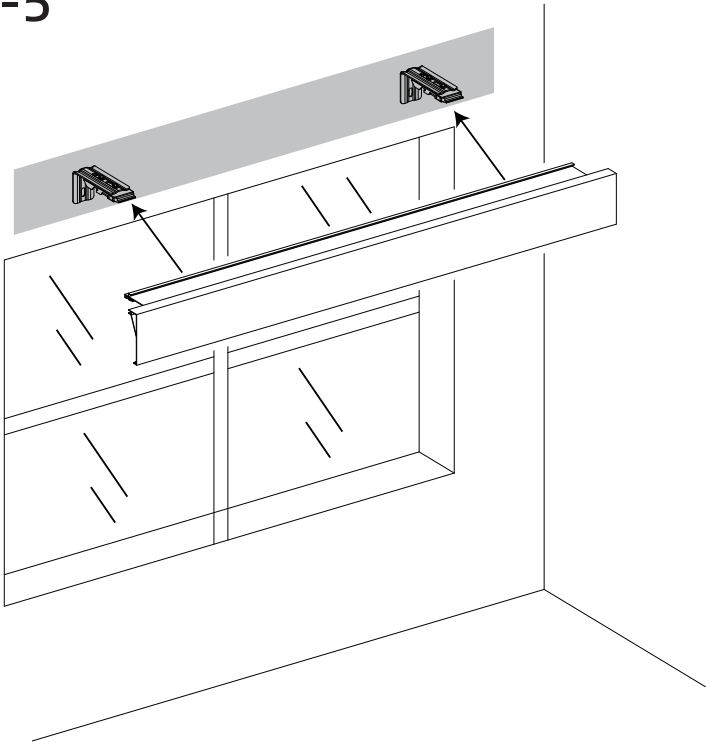
# Step b-3



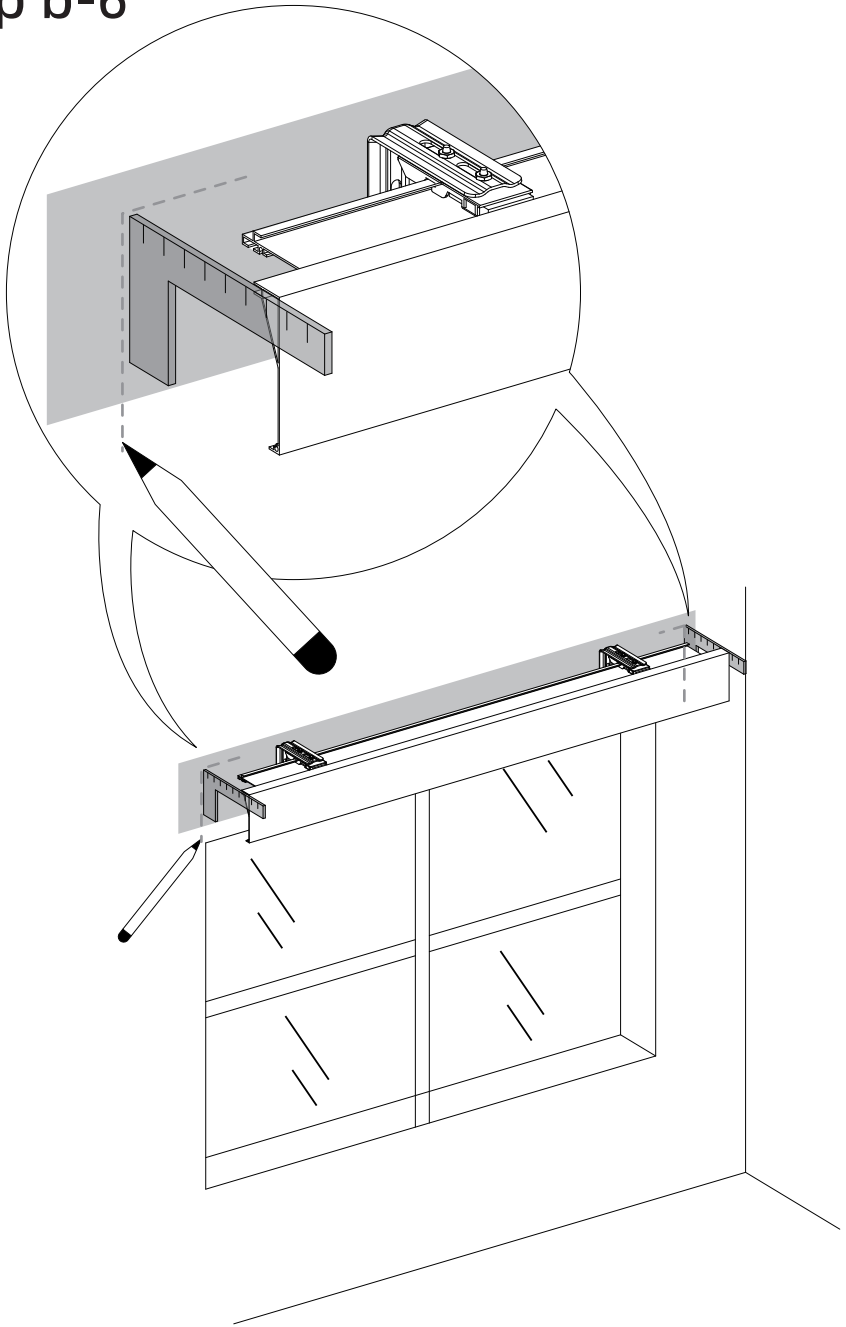
# Step b-4



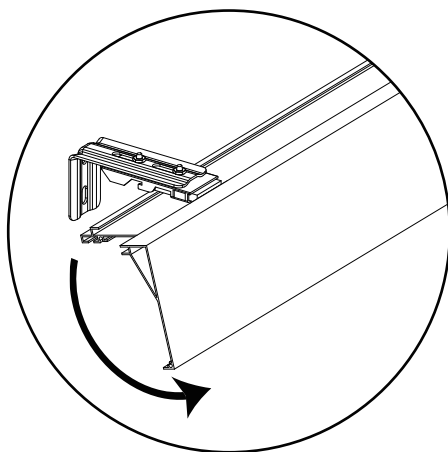
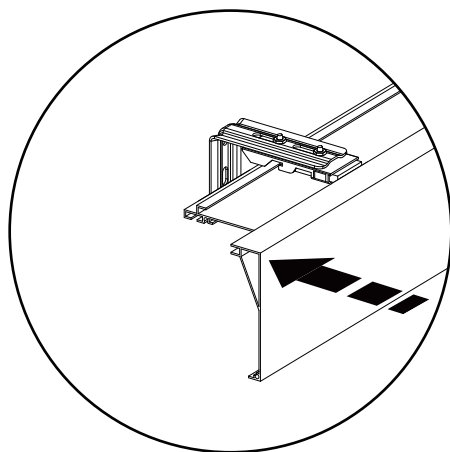
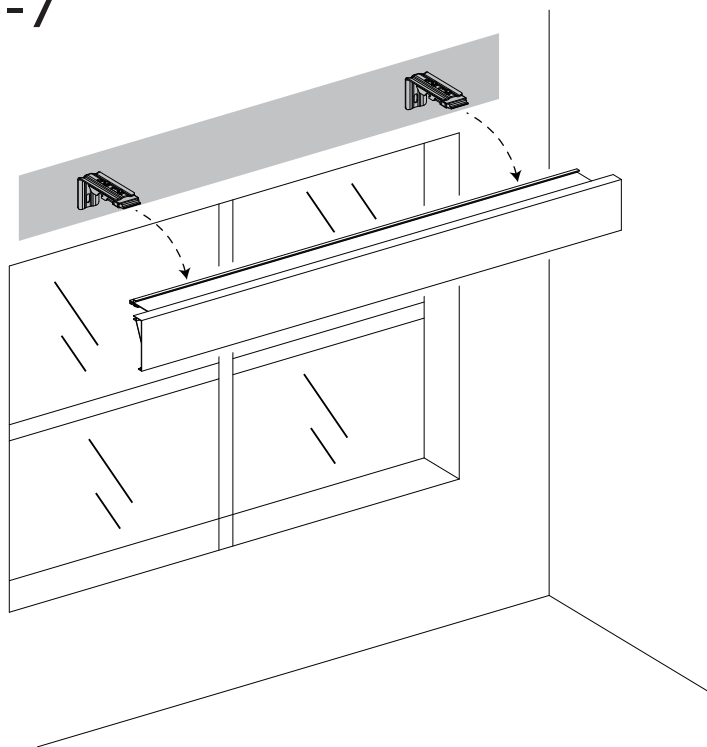
# Step b-5



# Step b-6

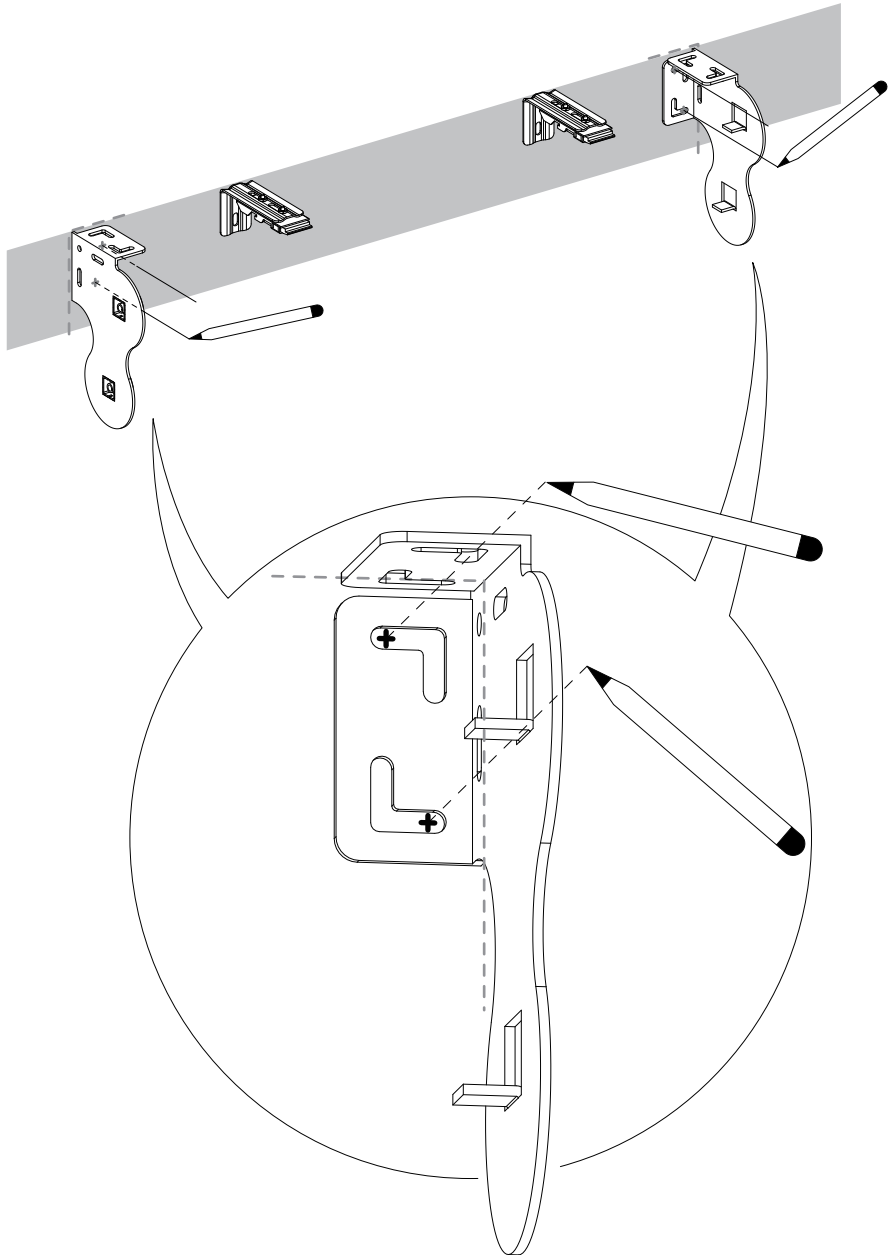


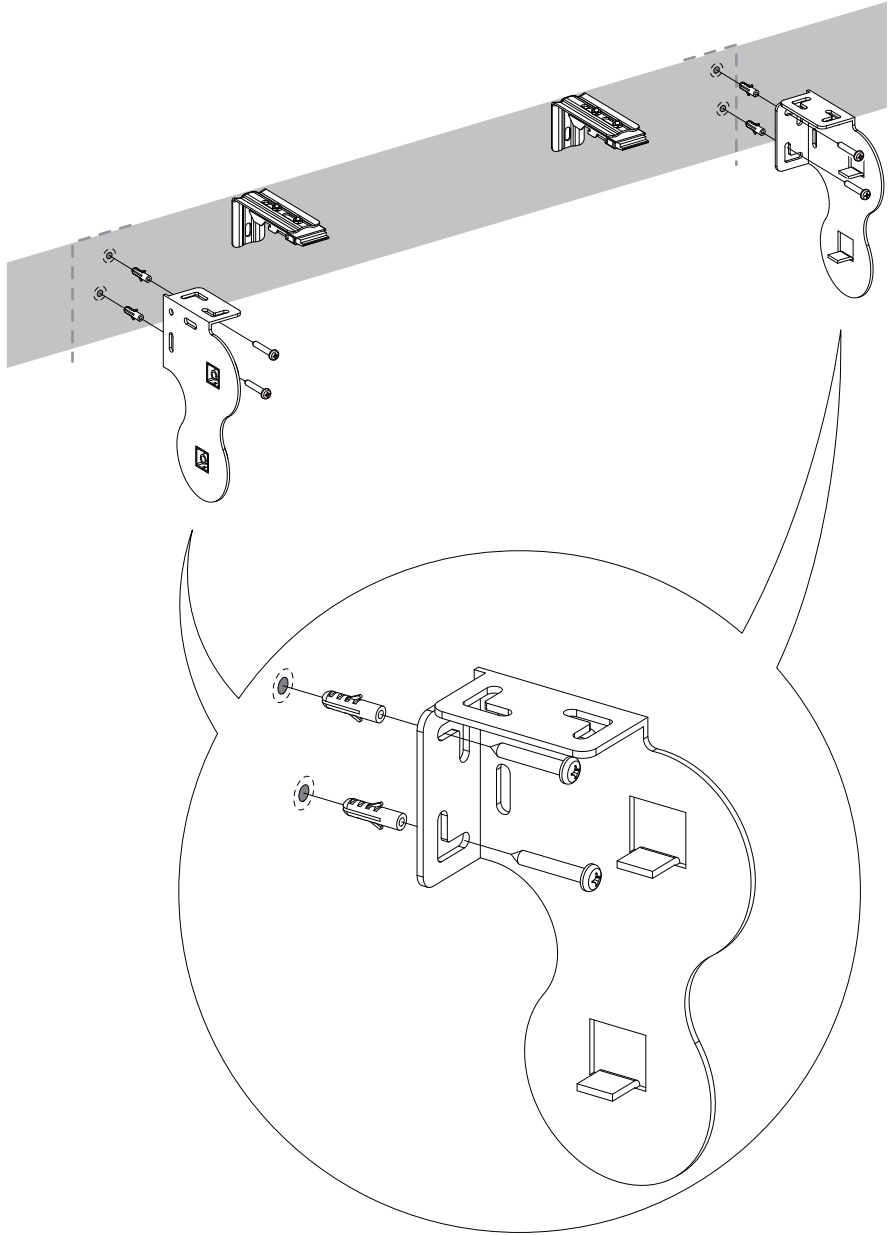
# Step b-7



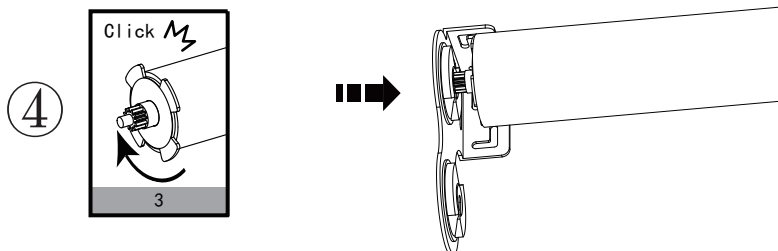
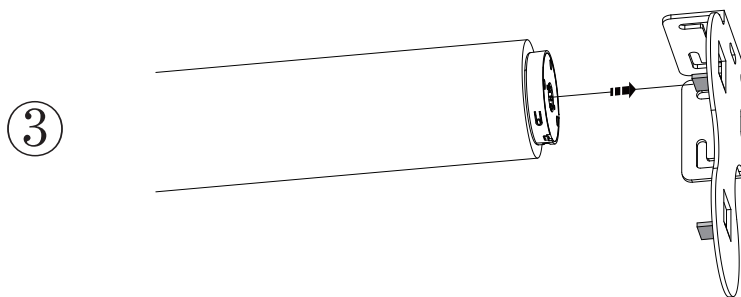
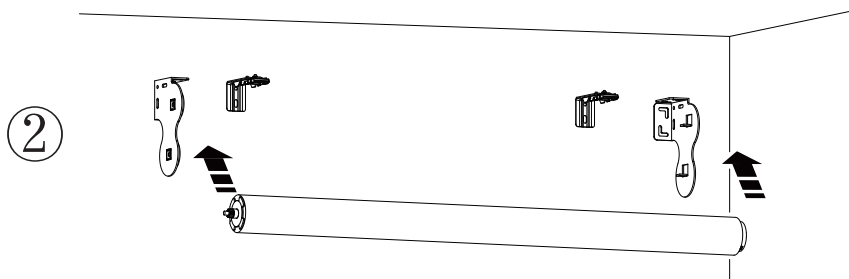
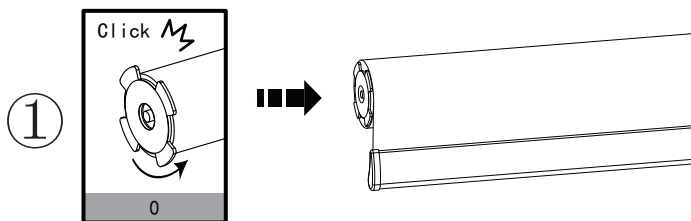


# Step b-8

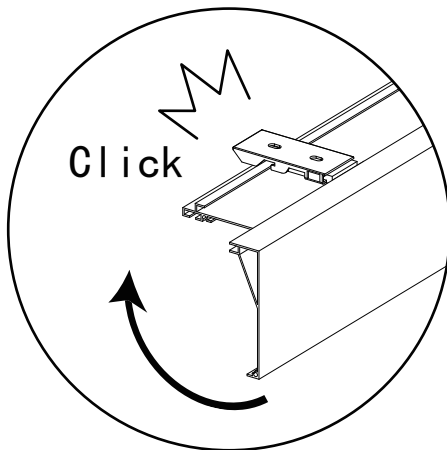
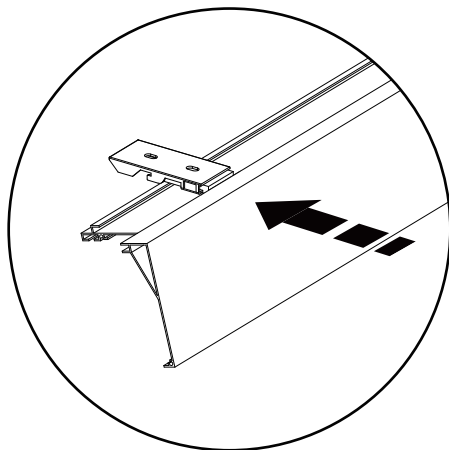
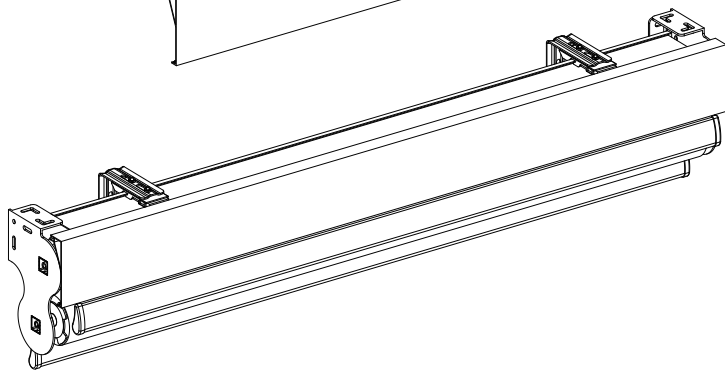
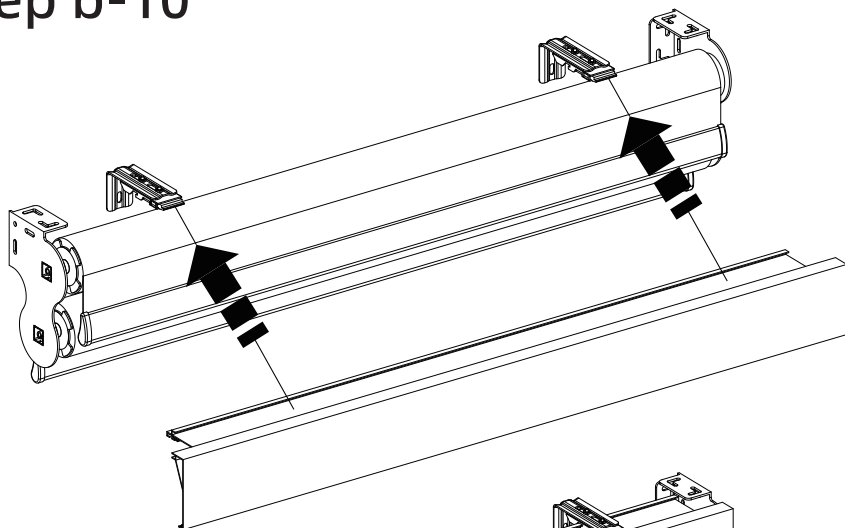


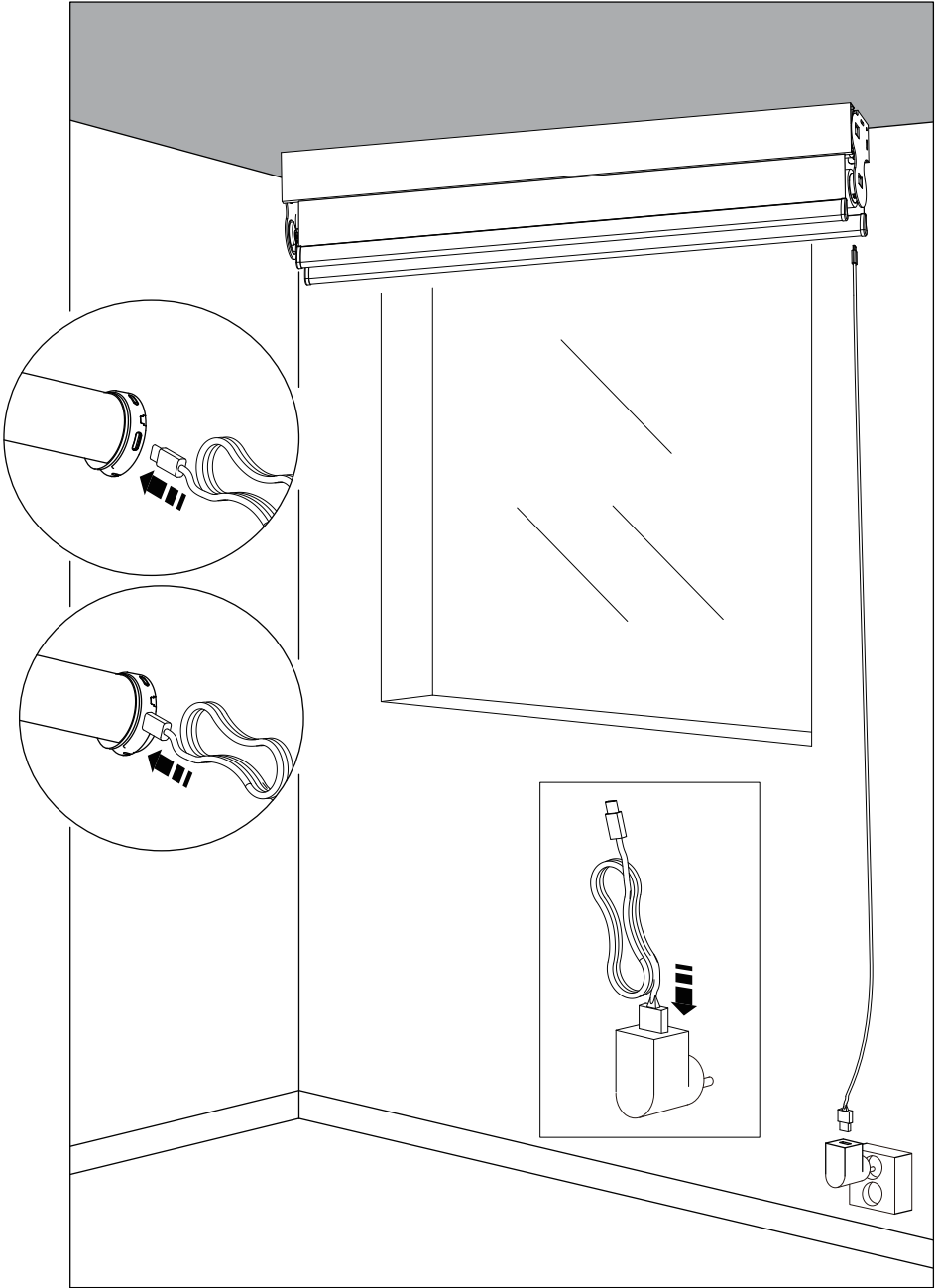


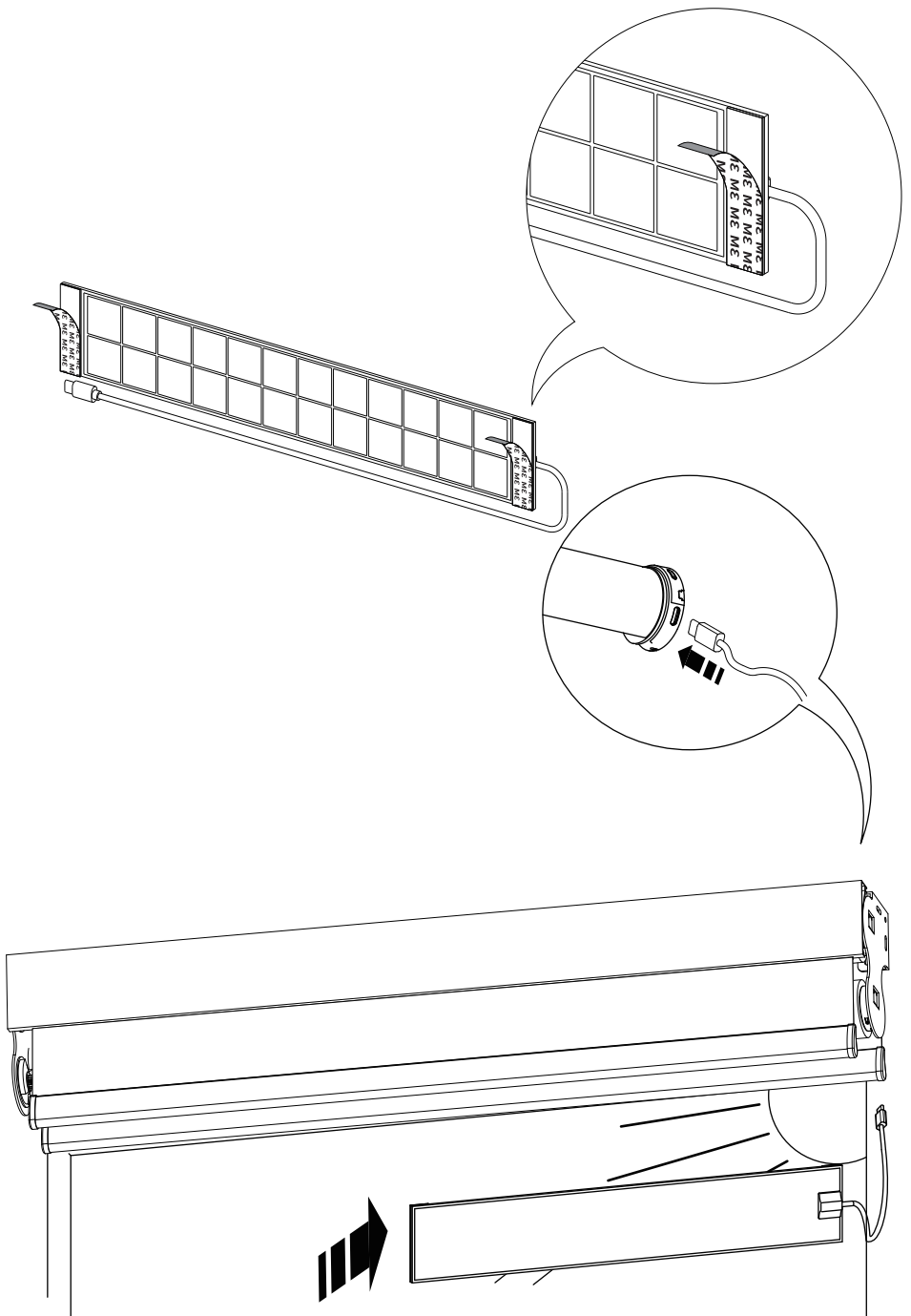
# Step b-9

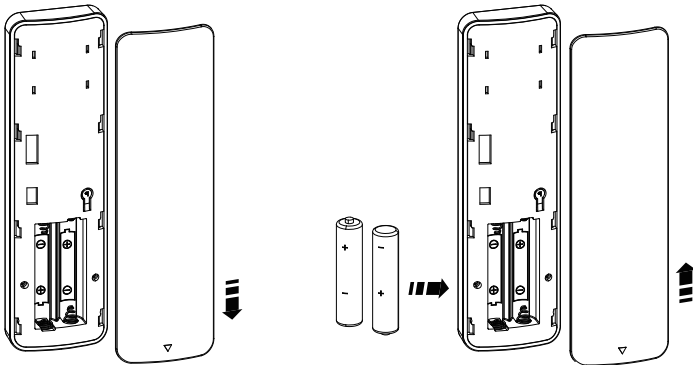
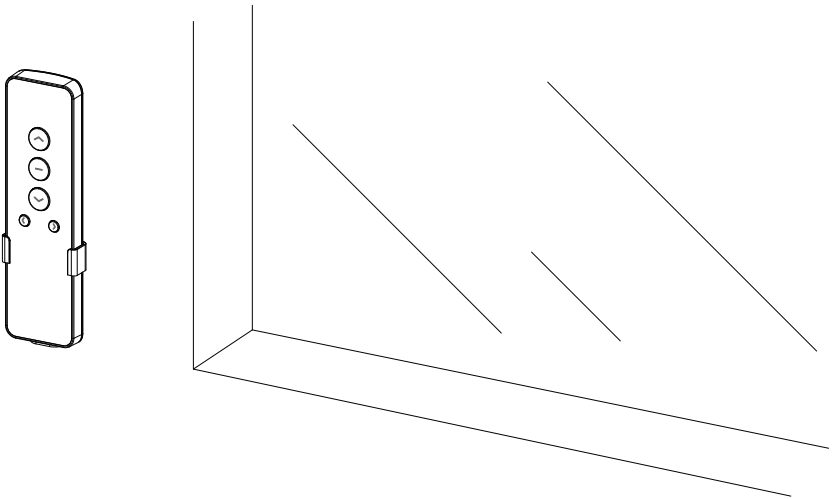
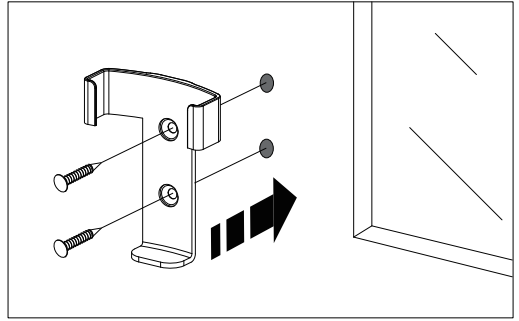
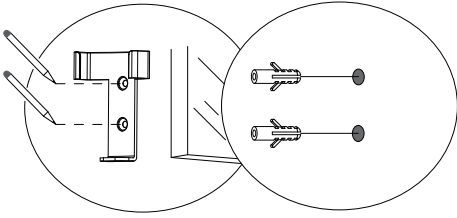


# Step b-10



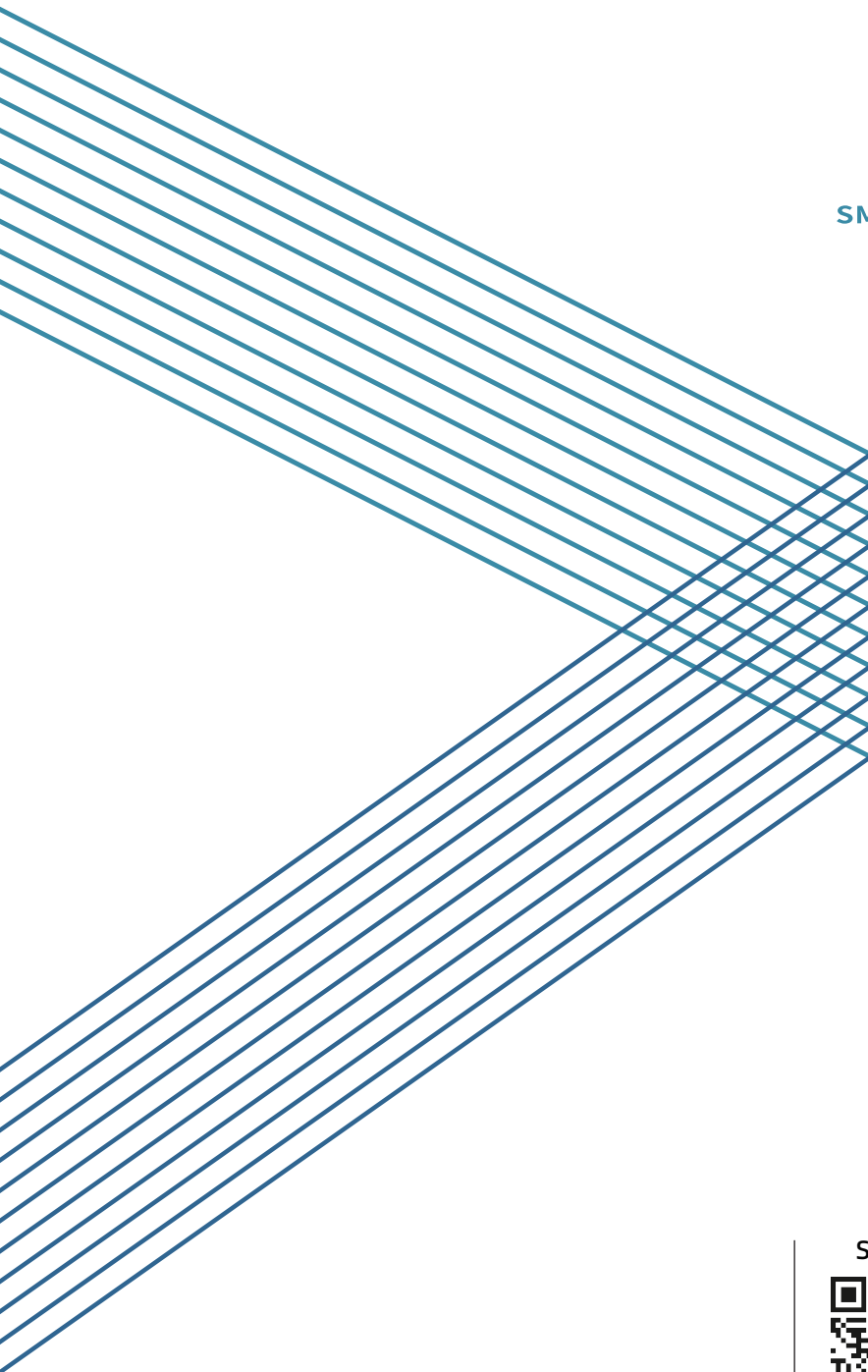








SMARTWINGS



T +1 877 762 7861  
[www.smartwingshome.com](http://www.smartwingshome.com)  
[support@smartwingshome.com](mailto:support@smartwingshome.com)

Social Media

