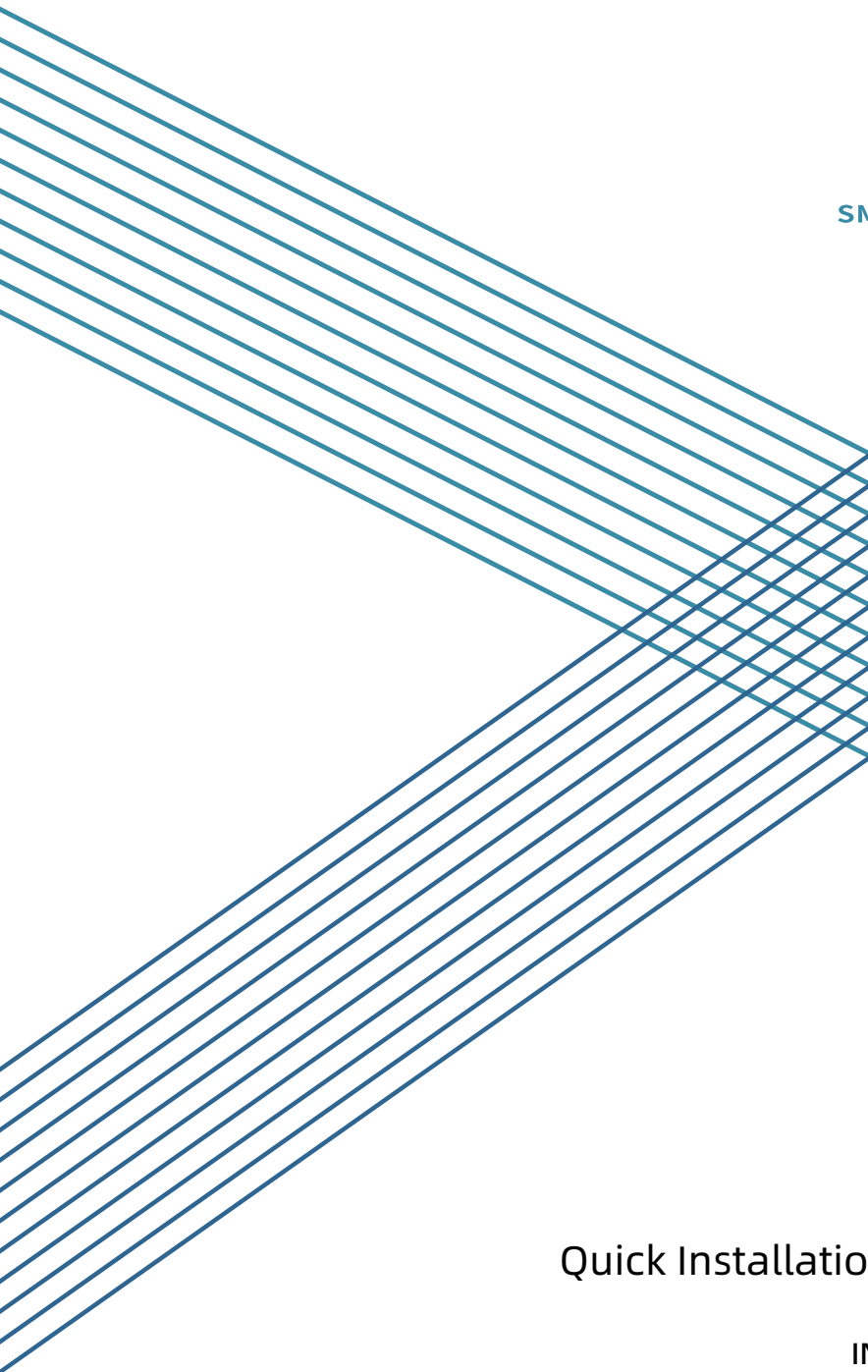


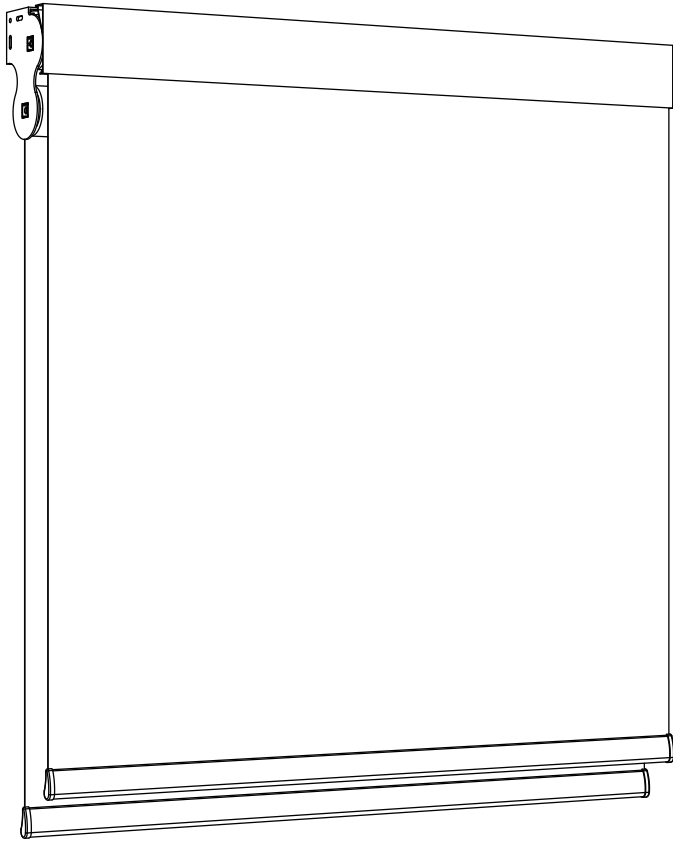


SMARTWINGS



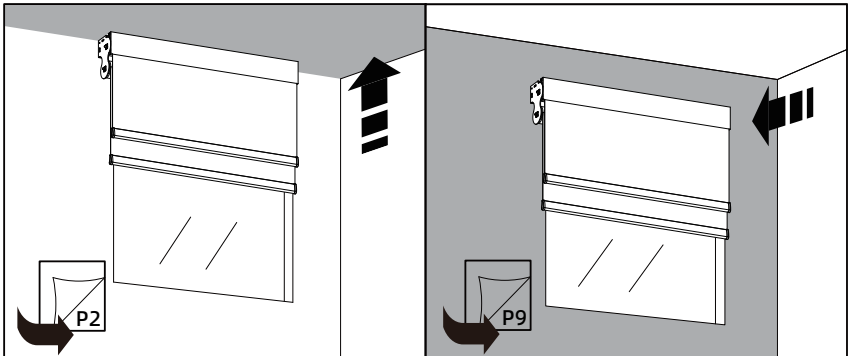
# Quick Installation Guide

INS-C017-A



Ceiling Mount

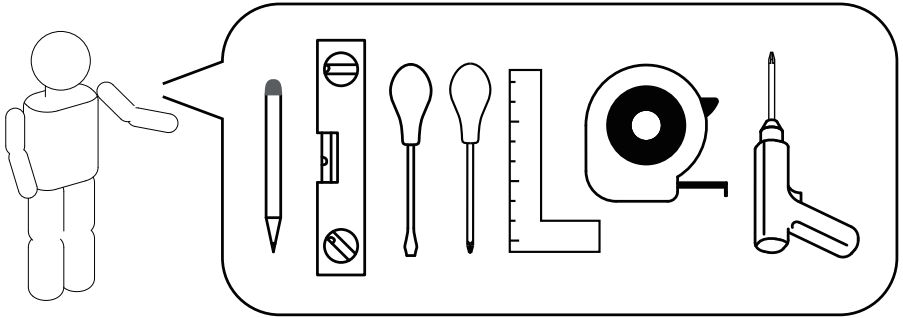
Wall Mount



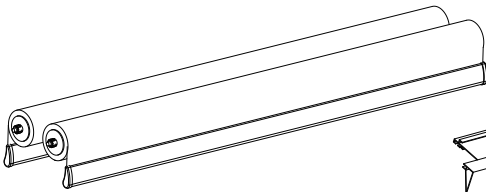
# TABLE OF CONTENTS

<b>1. Preparation.....</b>	<b>1</b>
<b>2. Shade Installation.....</b>	<b>2</b>
2.1 Ceiling Mount.....	2
2.2 Wall Mount.....	9
<b>3. Shade Charging.....</b>	<b>15</b>
<b>4. Remote Holder Installation.....</b>	<b>20</b>

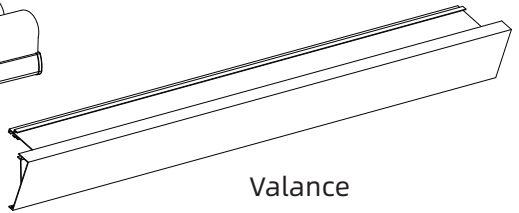
# Required Tools for Installation:



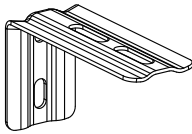
# Included In the package:



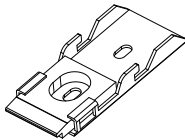
Shade



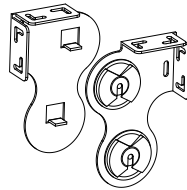
Valance



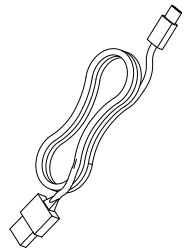
Brackets



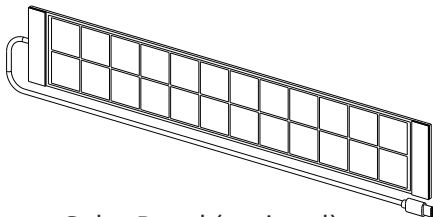
Extension bracket



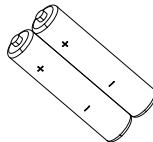
Installation brackets



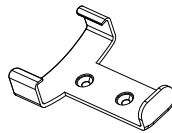
Charging Cable



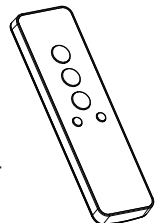
Solar Panel (optional)



AAA Battery



Remote Holder

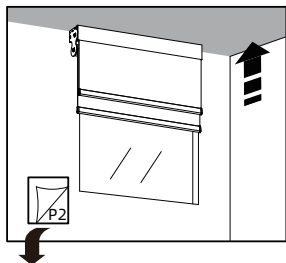


Remote

# Shade Installation

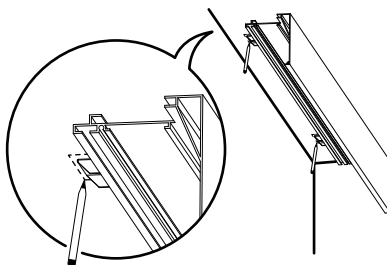
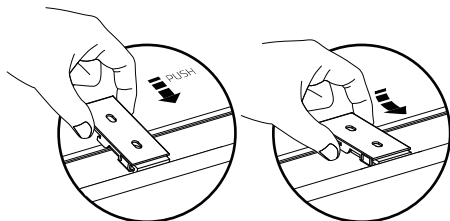
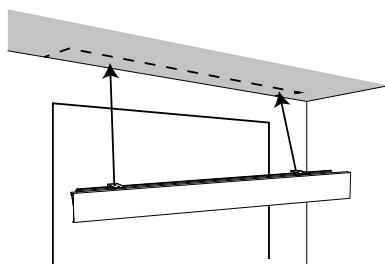
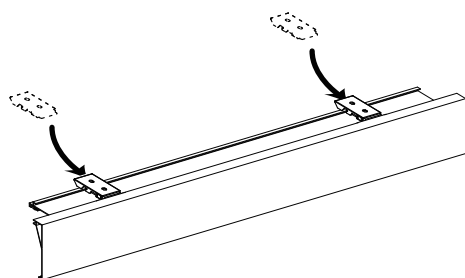
Detailed instructions for installation are vary. If you prefer an ceiling mount, proceed to Page 2. For an wall mount, go to Page 9. Before installing the shade, it is necessary to install the brackets to the shade and position them correctly to determine where the brackets should be mounted.

## 2.1 Ceiling Mount



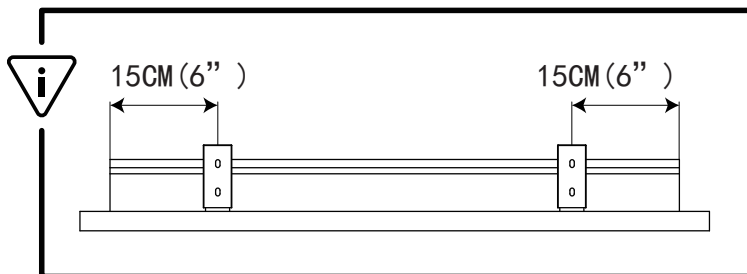
### Step 1 Mark position

After installing the brackets at the correct position on the shade, determine the position for the brackets on the ceiling and the shade, then mark it on them.

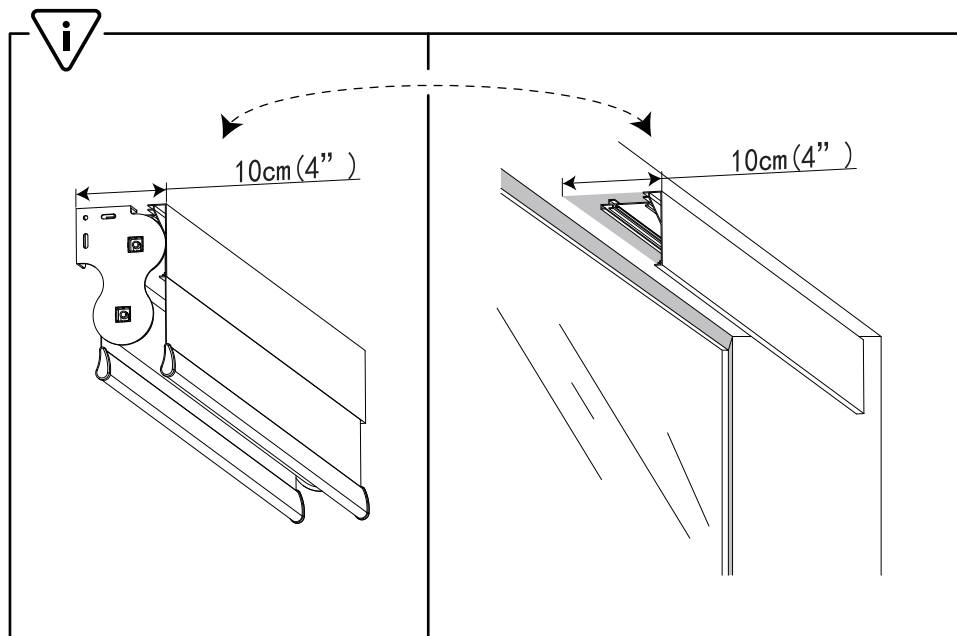


# Shade Installation

The optimal position for brackets is that the center of the them is located 15cm(6") away from each side edge.



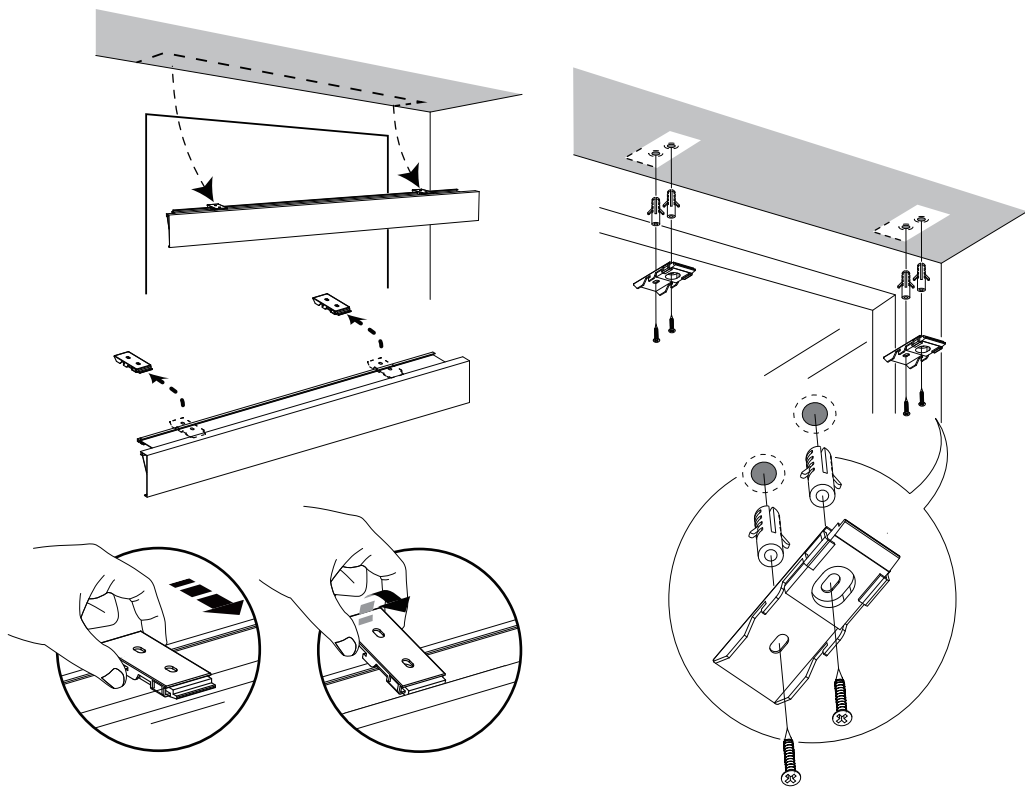
The optimal position for the bent part of the valance to the wall where the shade is installed is 10cm(4").



# Shade Installation

## Step 2 Install the Valance brackets

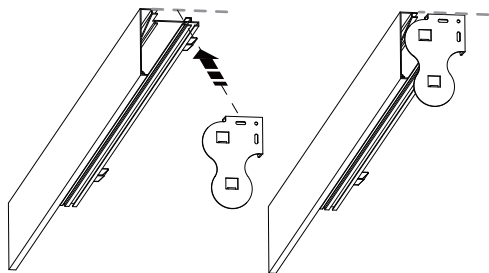
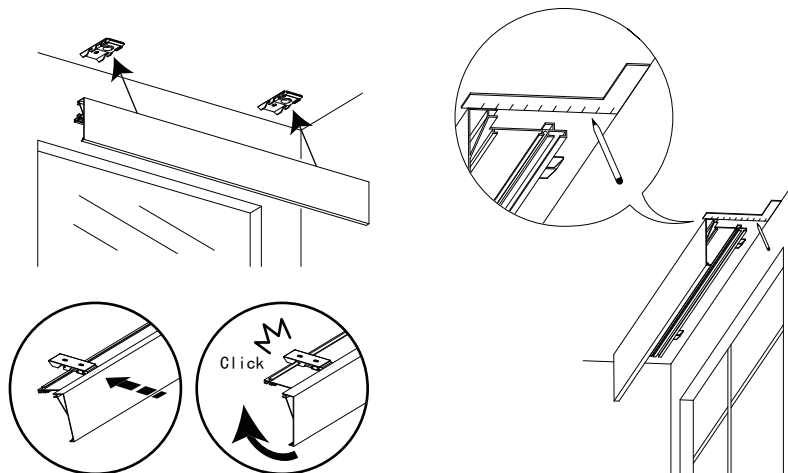
Detach the Valance brackets from the Valance. Then install the brackets on the ceiling at the pre-marked locations and secure them in place with screws.



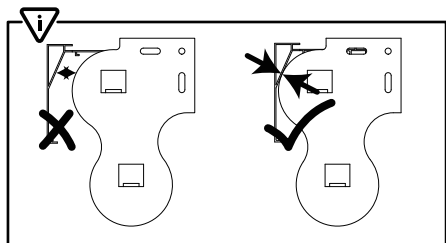
# Shade Installation

## Step 3 Install the Installation brackets

Install the Valance and draw a horizontal line on both side according to the picture .Place the Installation bracket vertically on the line just drawn.



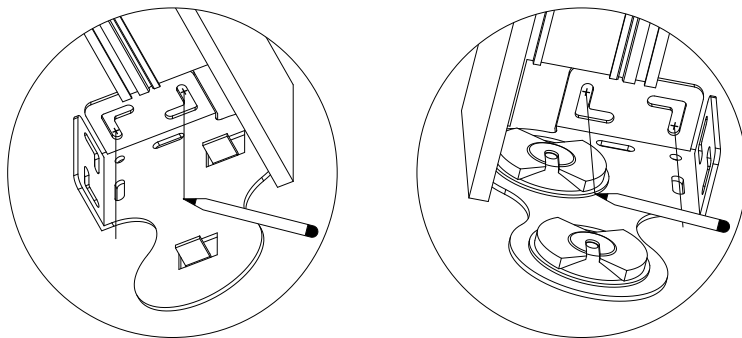
Note:Ensure that the instalation bracket is snug against the Valance.



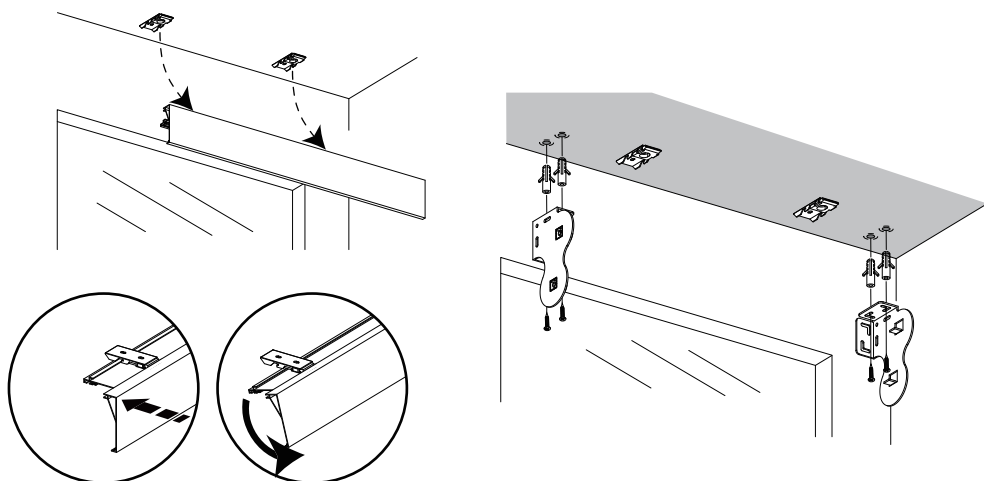


# Shade Installation

Mark the screw positions on the ceiling for fixing installation brackets, as indicated in the picture.



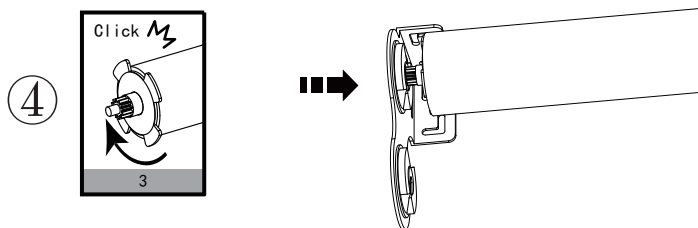
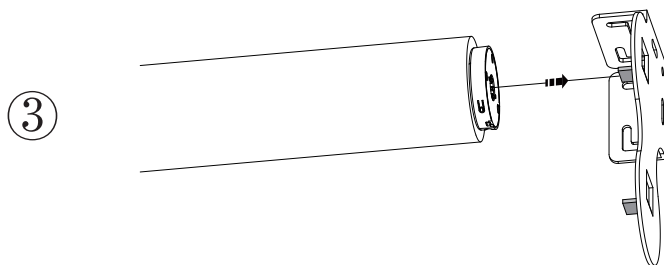
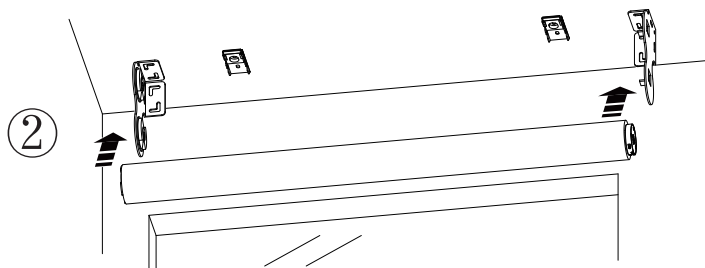
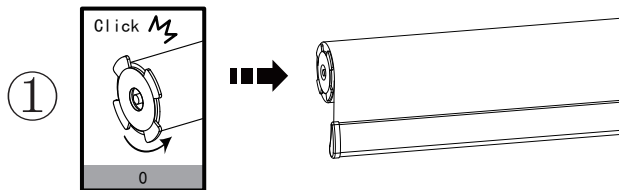
Remove the Valance and screw the installation brackets into the marked positions.



# Shade Installation

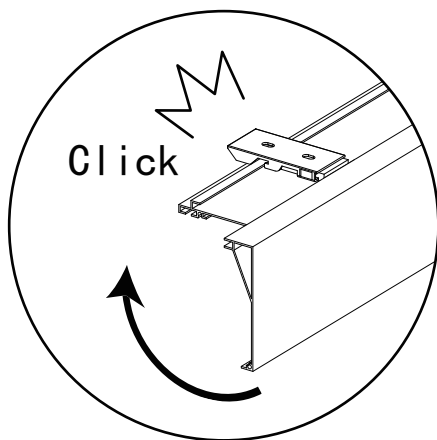
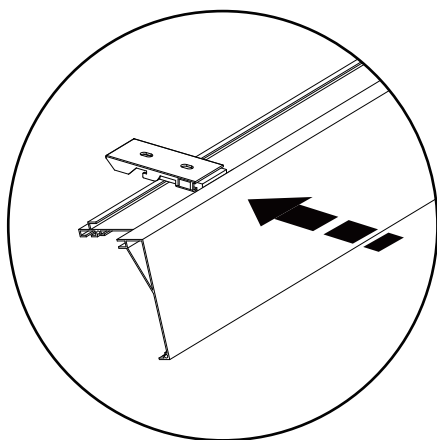
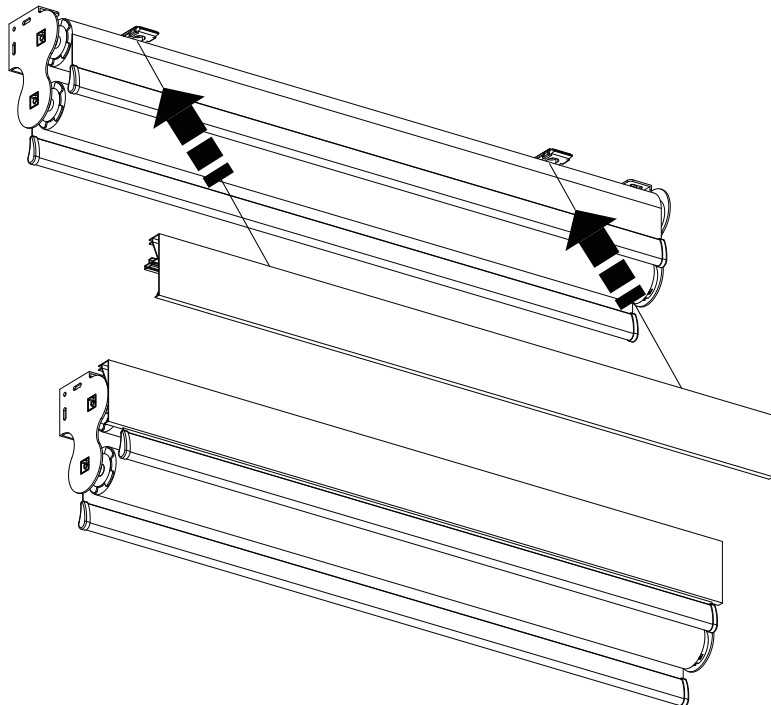
## Step 4 Install the shade

After setting the idler to position 0, insert the motor side into the corresponding side of the installation bracket. Then, adjust the idler to position 3 before inserting it into the installation bracket.



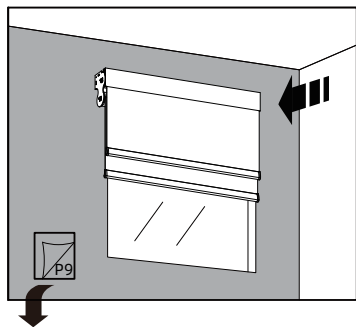
# Shade Installation

## Step 5 Install the Valance

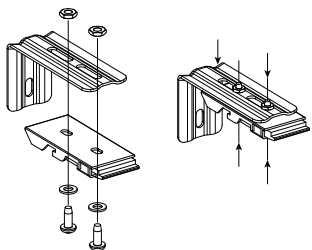


# Shade Installation

## 2.2 Wall Mount

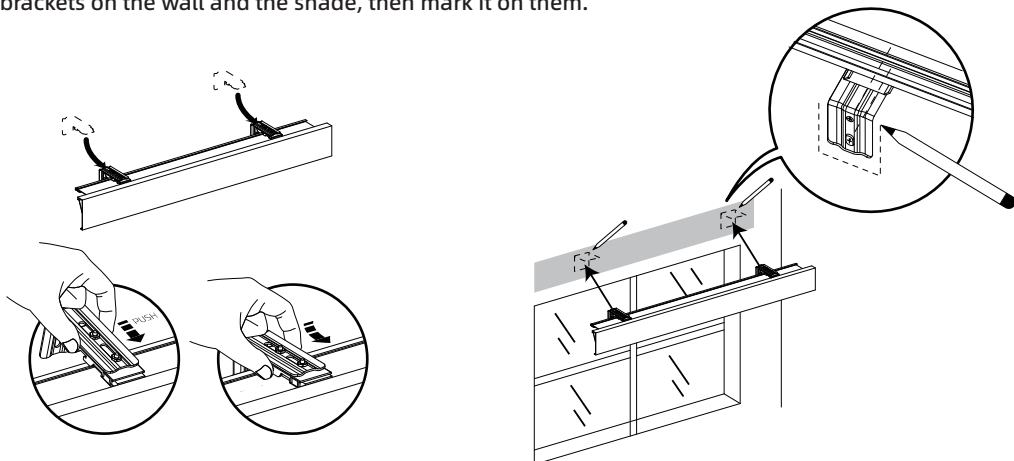


### Step 1 Fix brackets



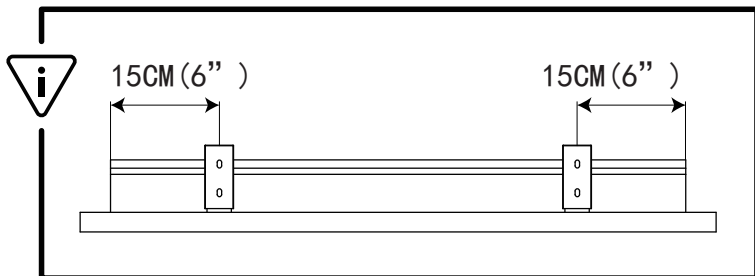
### Step 2 Mark the position

After installing the brackets at the correct position on the shade, determine the position for the brackets on the wall and the shade, then mark it on them.

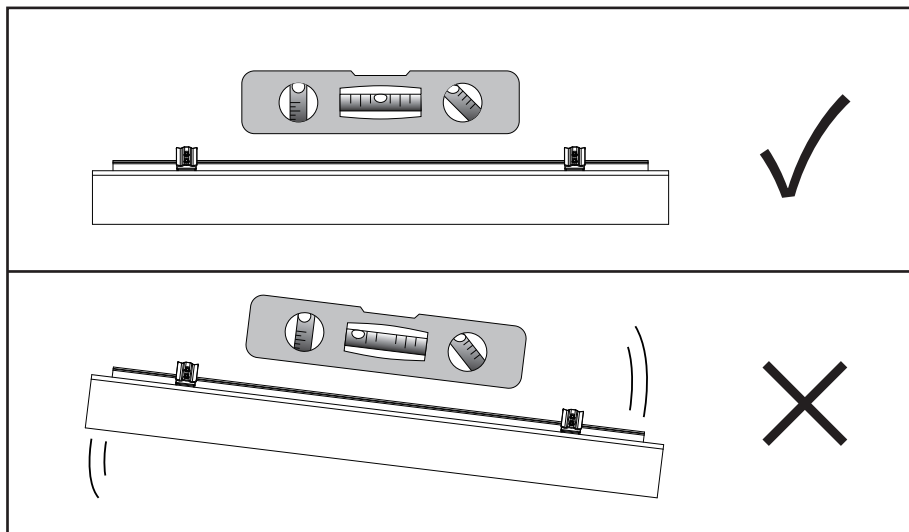


# Shade Installation

The optimal position for brackets is that the center of the them is located 15cm(6") away from each side edge.



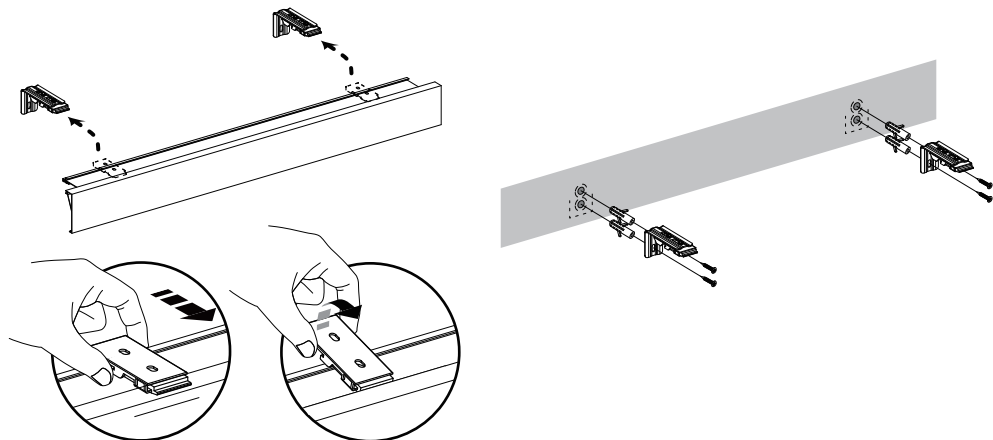
Please ensure the shade is placed horizontally when installing the brackets.



# Shade Installation

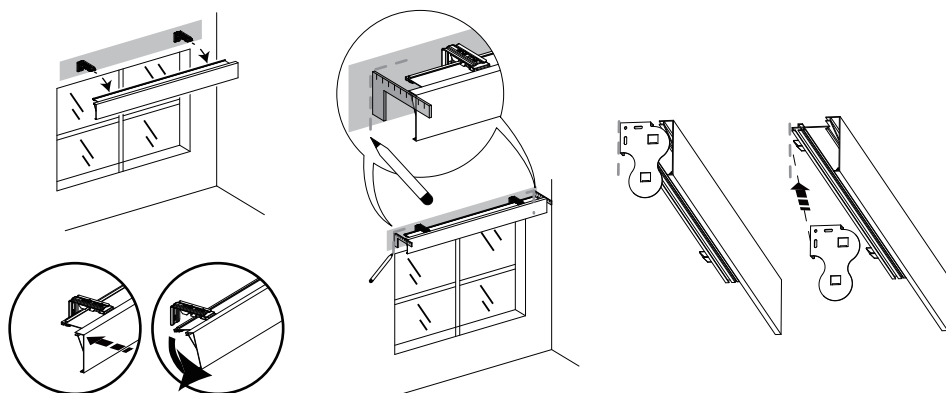
## Step 3 Install extension bracket

Detach the brackets from the Valance. Then install the brackets on the wall at the pre-marked locations and secure them in place with screws.



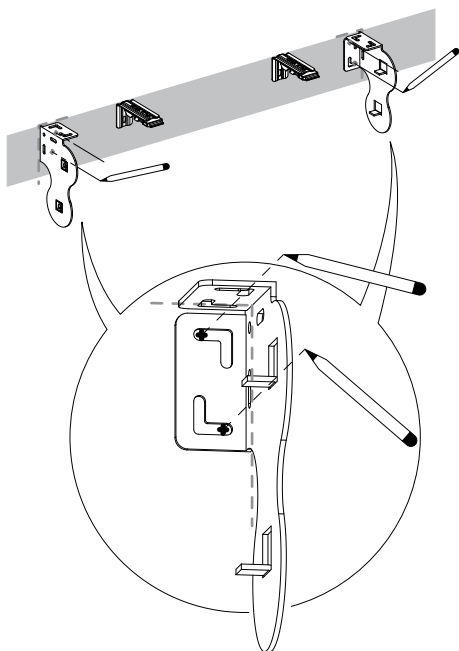
## Step 4 Install the Installation brackets

Install the Valance and draw a vertical line on both side according to the picture. Detach the valance and place the installation bracket vertically on the line just drawn.

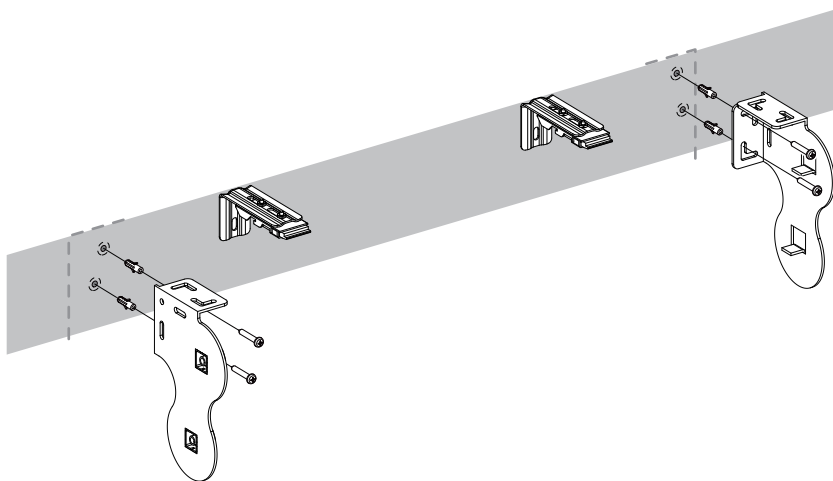


# Shade Installation

Mark the screw positions on the wall for fixing installation brackets, as indicated in the picture.



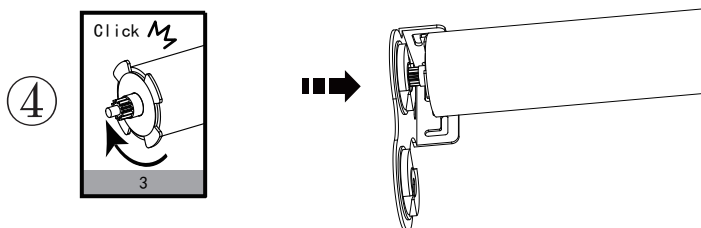
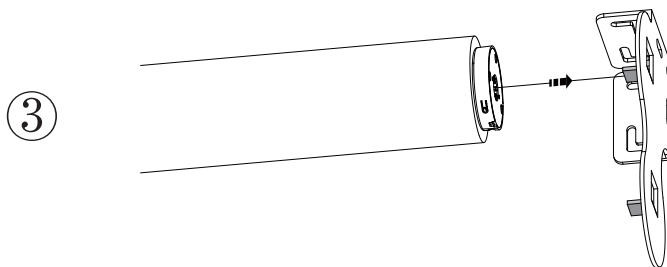
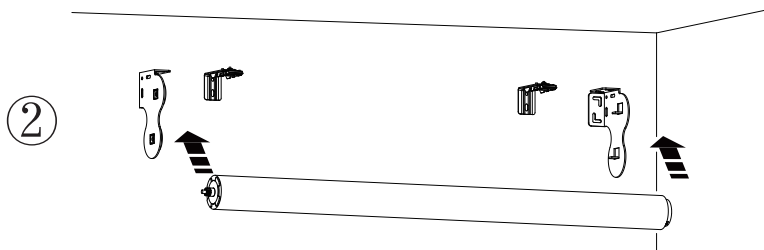
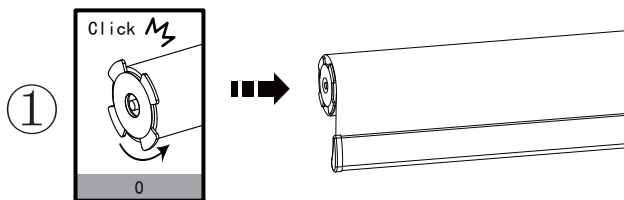
Remove the Valance and screw the installation brackets into the marked positions.



# Shade Installation

## Step 5 Install the shade

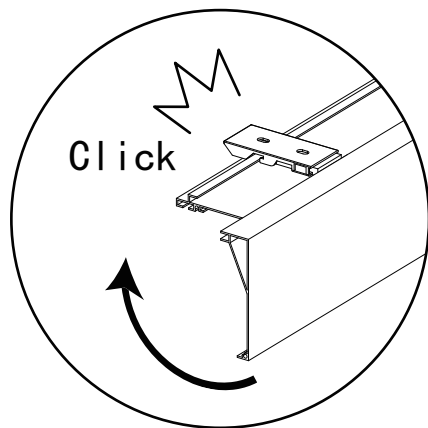
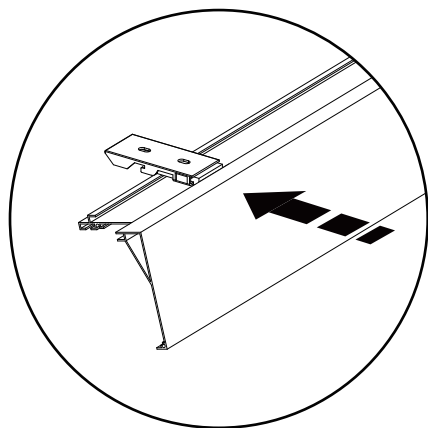
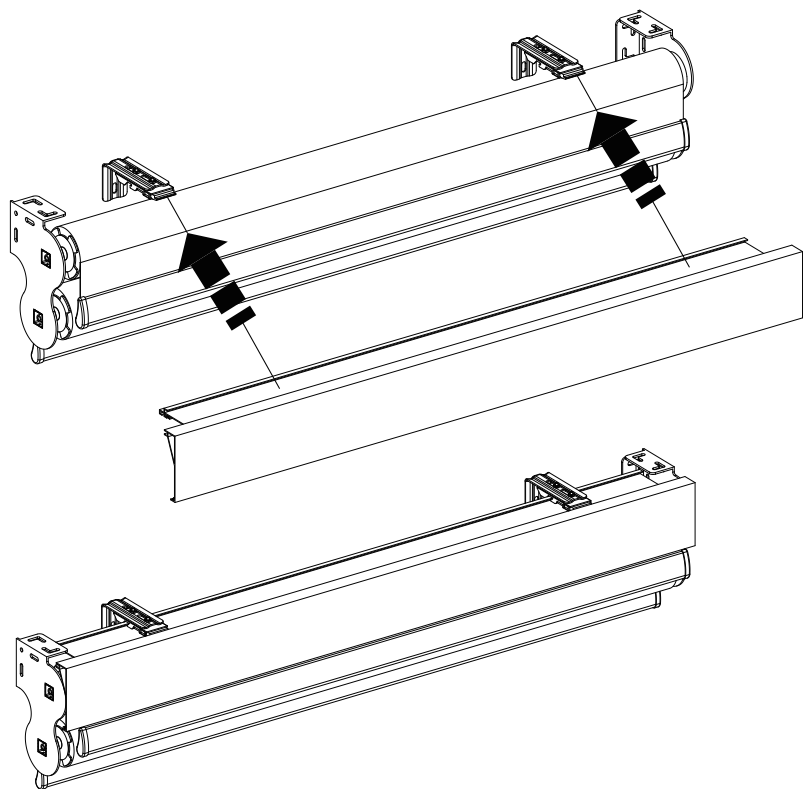
After setting the idler to position 0, insert the motor side into the corresponding side of the installation bracket. Then, adjust the idler to position 3 before inserting it into the installation bracket.





# Shade Installation

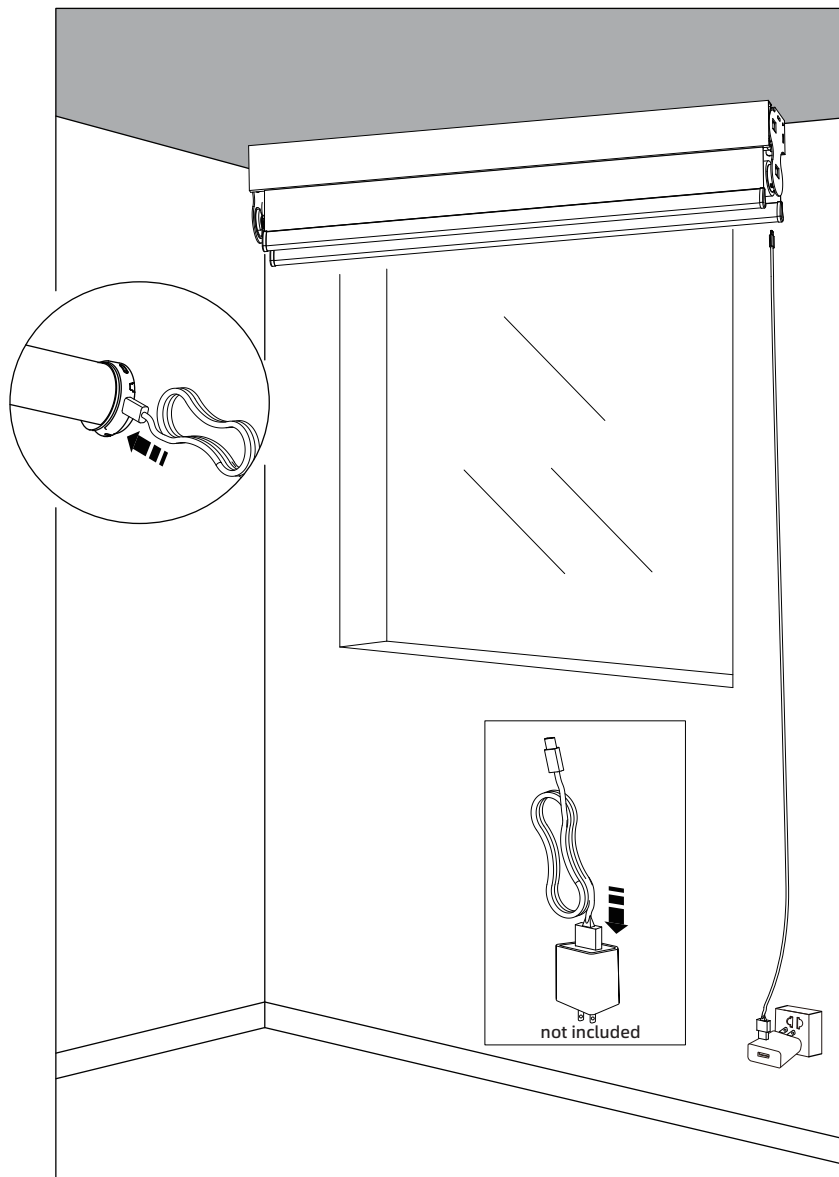
## Step 6 Install the Valance



# Shade Charging

## Battery Powered Shades

### Option 1 USB-C Charging Cable



---

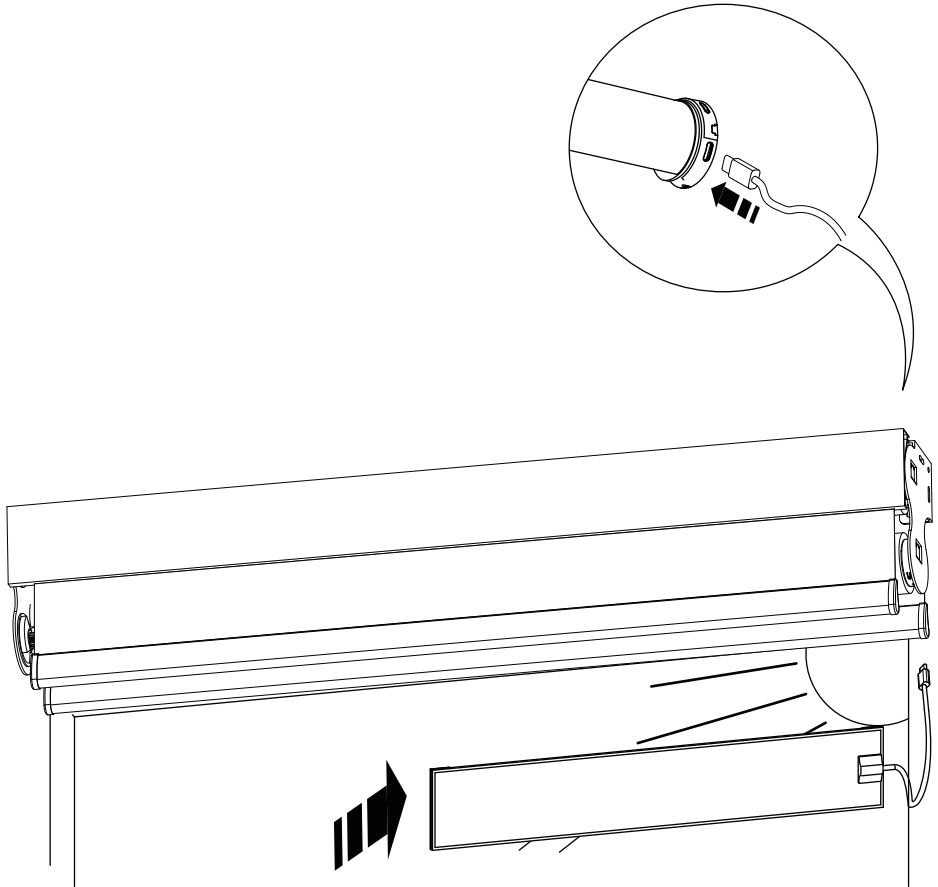
---

# Shade Charging

---

---

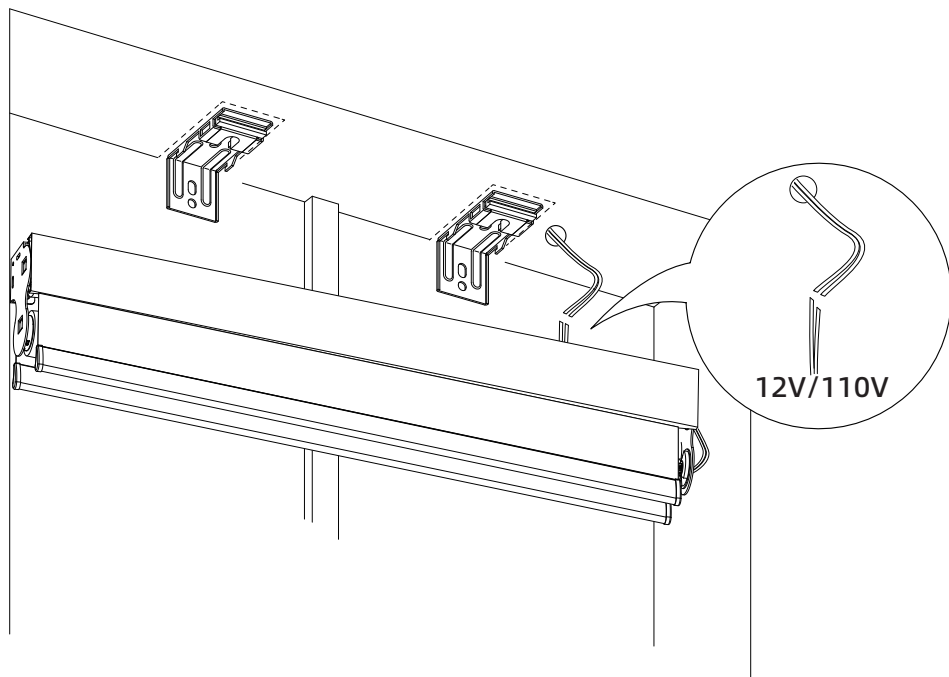
## Option 2 Solar Panel



# Shade Charging

## Hardwired Shade

### Option 1 Hardwired Shade

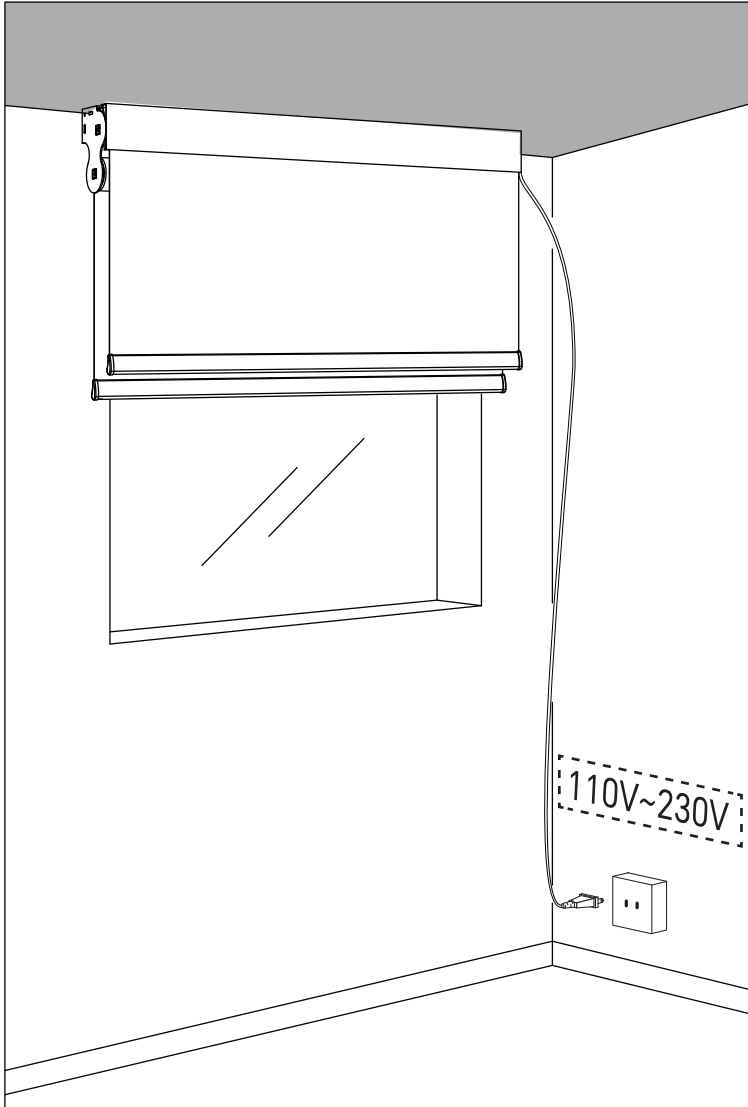


\* Attention: Please confirm 12V or 110V wiring.

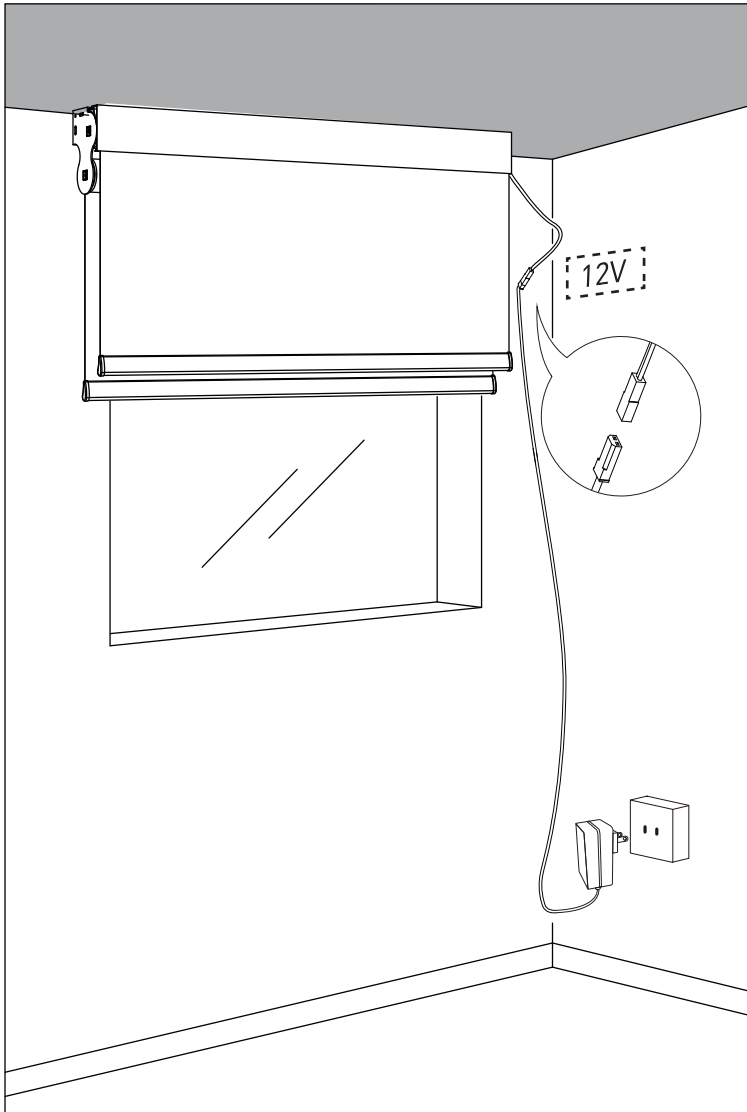
# Shade Charging

## Option 2 Hardwired Shade

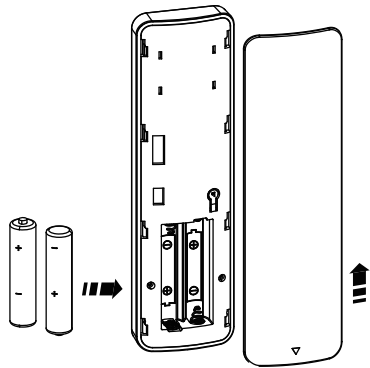
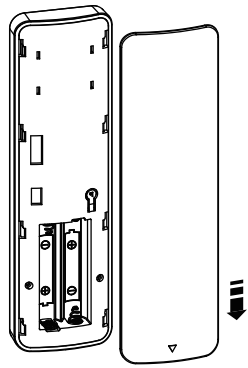
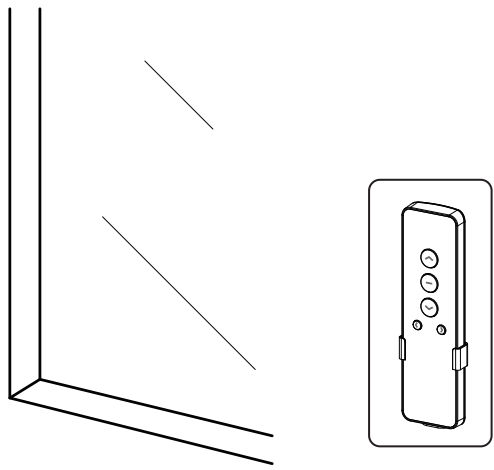
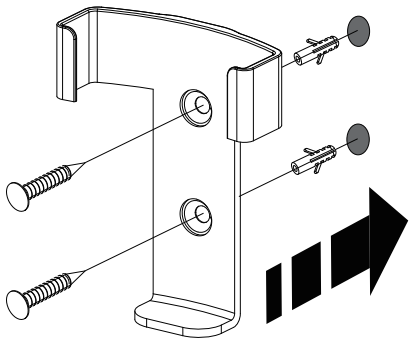
AC 110V-230V



DC 12V

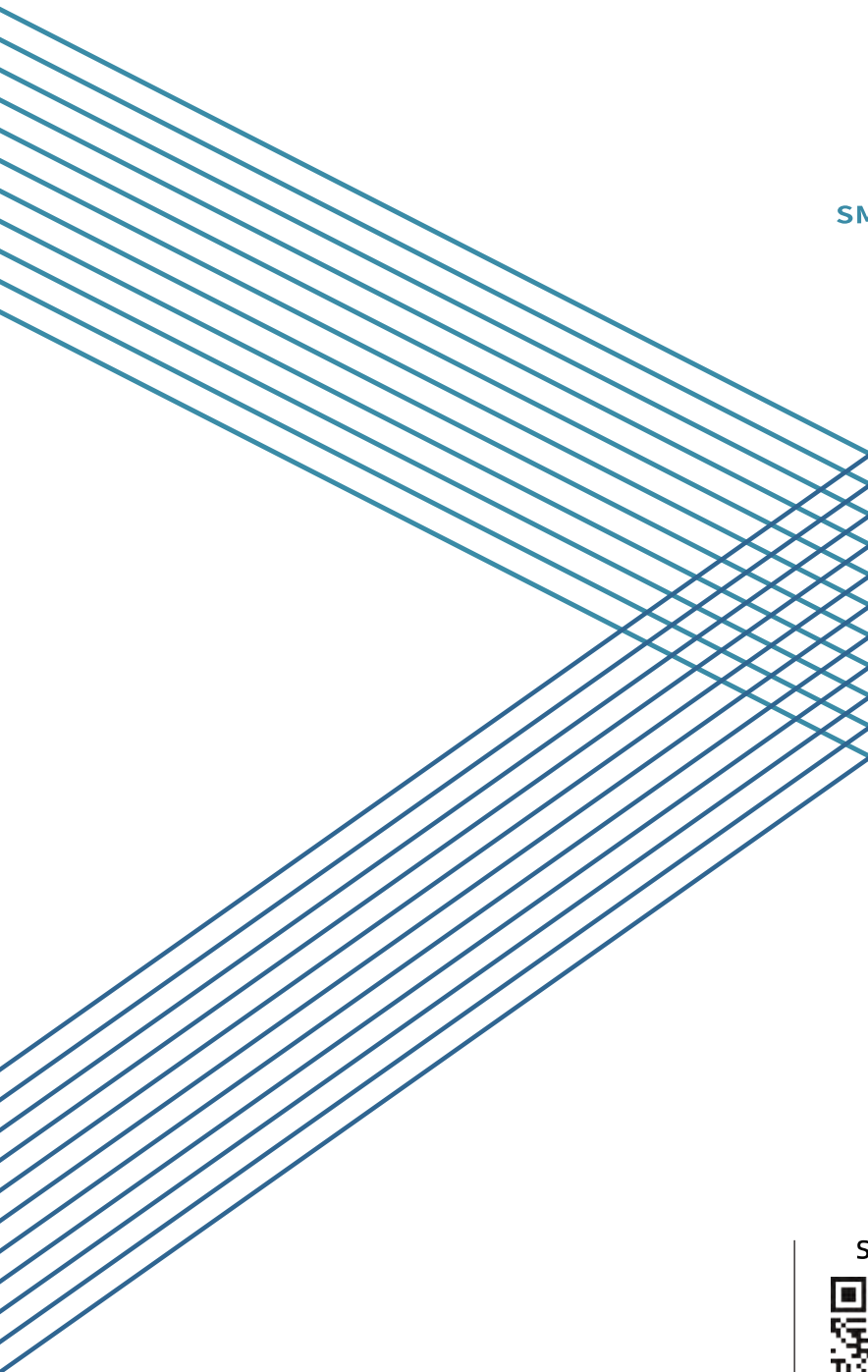


# Remote Holder Installation





SMARTWINGS



Social Media



T +1 877 762 7861  
[www.smartwingshome.com](http://www.smartwingshome.com)  
[support@smartwingshome.com](mailto:support@smartwingshome.com)