



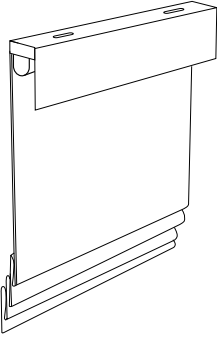
SMARTWINGS

**SMARTWINGS MOTORIZATION**

Installation  
And Quick Start Guide

BY:SMARTWINGS

# Step1: Installing Your Motorized



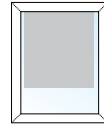
## PARTS INCLUDED:

- Mounting Screws
- Mounting Brackets & Wing Nuts
- Extension Cable
- Remote Control

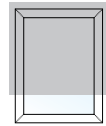
## TOOLS YOU WILL NEED:

- Drill with a  $\frac{1}{8}$ " bit & a Phillips bit
- Phillips Screwdriver
- Metal Tape Measure

## MOUNT TYPE YOU'RE INSTALLING FOR:



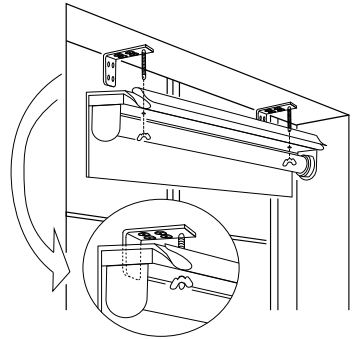
FOR INSIDE  
MOUNT  
SEE SECTION 1A



FOR OUTSIDE  
MOUNT  
SEE SECTION 1B

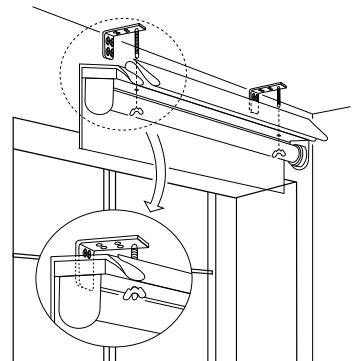
## 1A. For inside or ceiling mount:

- Position brackets approximately 1 inch from the ends of the head rail. If provided, position middle brackets to align with predrilled holes in the head rail.
- Measure 1 inch in from each side of the window frame and mark bracket locations with a pencil.
- Pre-drill the mounting holes into the mounting surface. Next, screw the brackets in place into the mounting surface.
- Hold the shade so that the screw posts on the brackets fit through the slots in the head rail and re-attach wing nuts and screw tight to hold the head rail firmly. Ensure that the shade is level.



## 1B. For outside or wall mount:

- Position brackets 1 to 2 inches from the end of the head rail. If provided, position middle brackets to align with pre-drilled holes in the head rail.
- Hold the shade in place and mark the desired bracket locations with a pencil. Use a level to ensure the brackets are straight.
- Pre-drill the mounting holes into the mounting surface. Next, screw the brackets in place into the mounting surface.
- Hold the shade so that the screw posts on the brackets fit through the slots in the head rail and screw tight to hold the head rail firmly. Ensure that the shade is level.

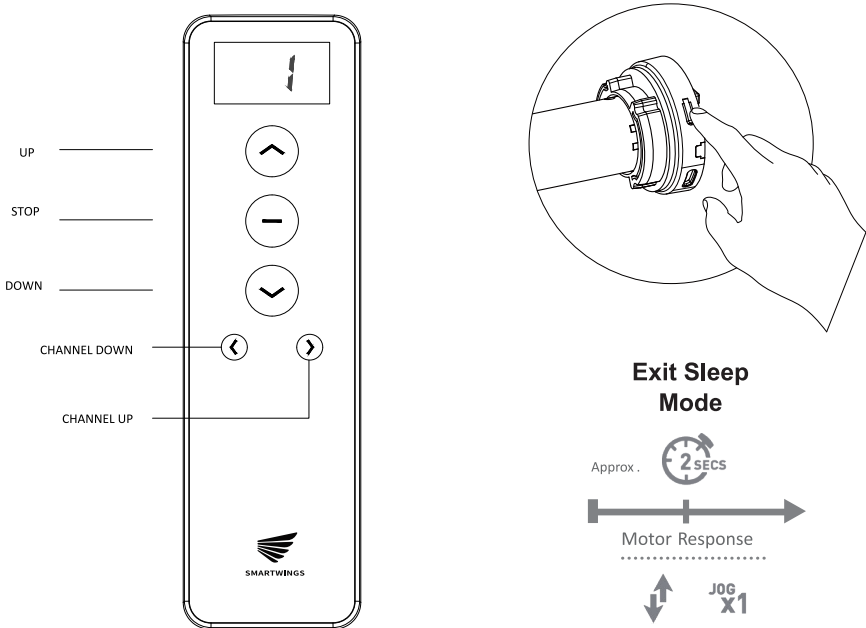


## Step2:Exit Sleep Mode

Each battery motor will come preprogrammed from Smartwings Upon leaving the factory the motor is placed into "Sleep Mode" to avoid accidental operation during shipping. It is necessary to "Wake" the motor before operation and setup.

To "Wake" the motor and exit Sleep Mode, assure the motor is installed and secured in the mounting hardware.

Once installed safely and securely, press and hold the programming button on the motor head until the motor jogs **once**. It is now no longer in "Sleep Mode" and ready for further setup.



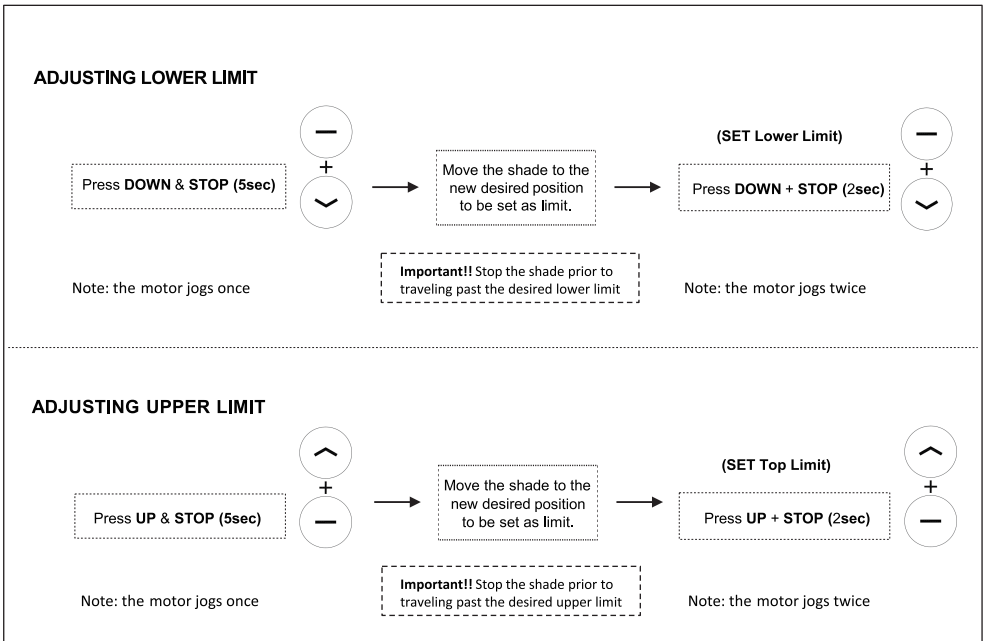
## Step3:Adjusting Limits

Each battery motor will come preprogrammed from Smartwings .

The preprogramming ensures the remote is paired with the motor, the upper and lower operation limits are set, the remote is unlocked .

Follow the below steps to adjust the lower and upper limits if required.

If limits need adjusting, follow the instructions below to unlock the remote for limit setting:



**!!WARNING!!** - Move shade in short increments by pressing the UP/DOWN button in 1 second intervals (pressing the UP/DOWN button for more than 3 seconds may send the shade past desired upper/lower limit and may result in damage to the product). Once you have reached the desired upper/lower limit, you can adjust the limit with either the UP and DOWN buttons. (remember to adjust in short increments!)