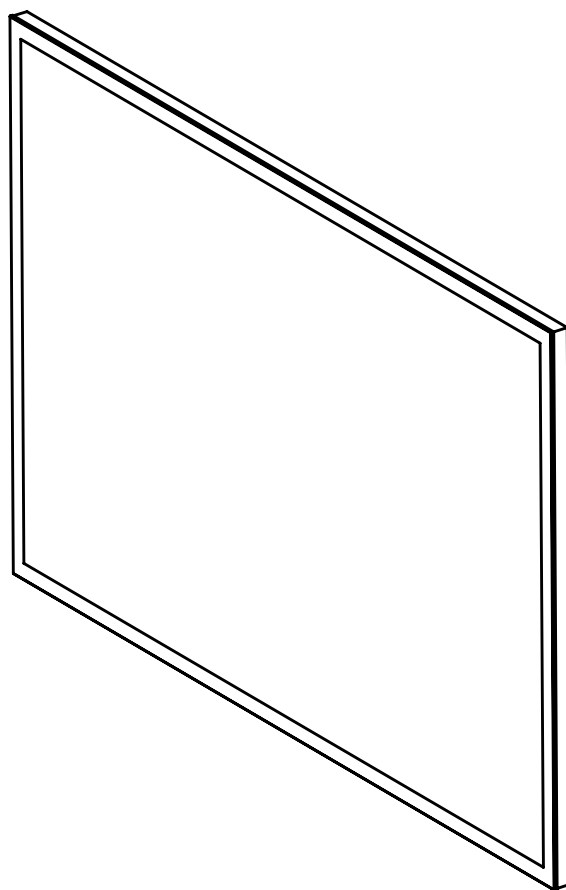


# DOWELL

## 5011 Series

## LED Light Mirror

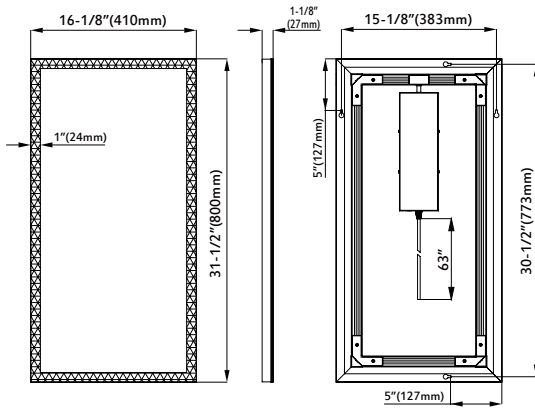
## INSTALLATION GUIDE



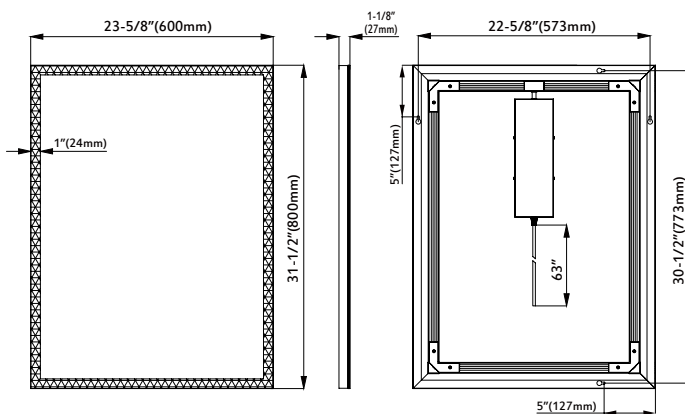
Mirror Oslo  
120V~60Hz



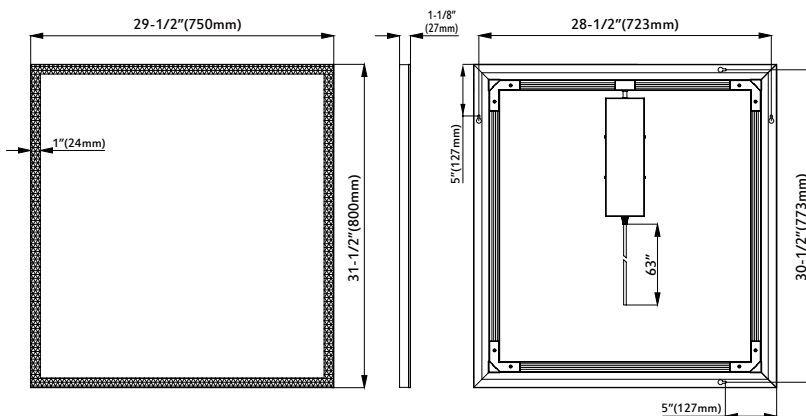
Mirror Drawing



5011 1831ML

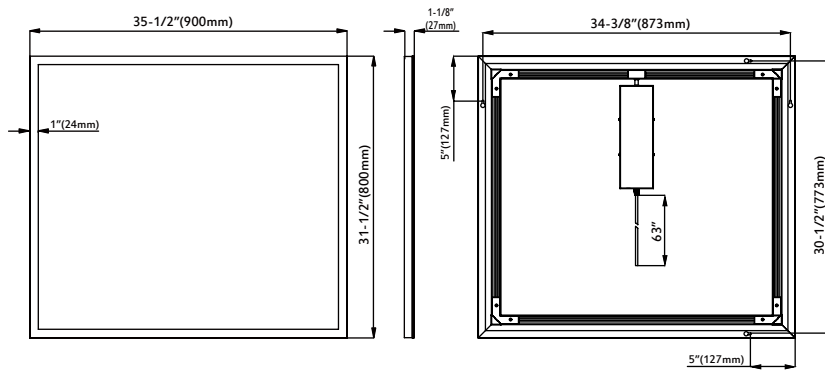


5011 2431ML

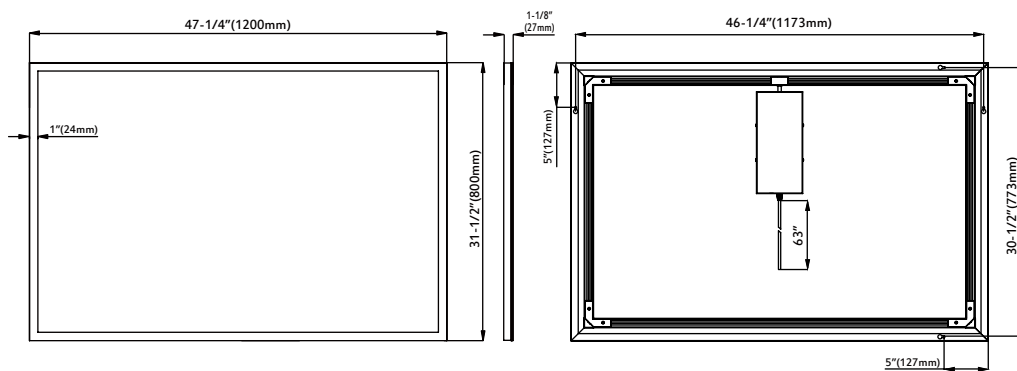


5011 3031ML

Mirror Drawing



5011 3631ML



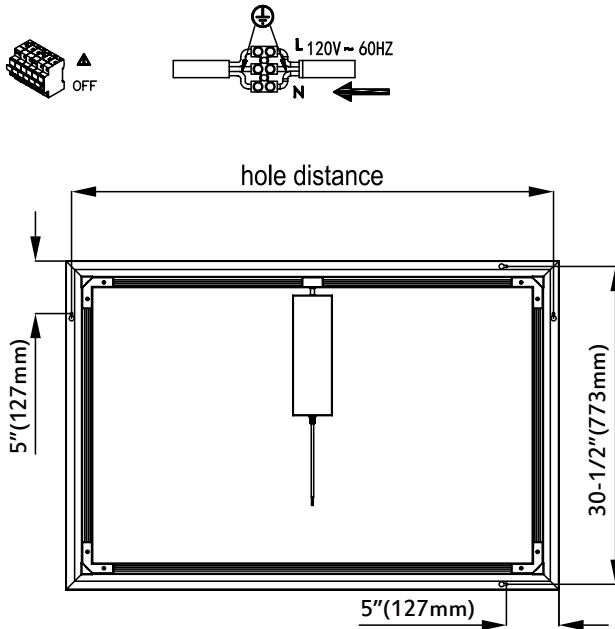
5011 4831ML

**5011 LED Light Mirror**  
**INSTALLATION GUIDE**

**DOWELL**

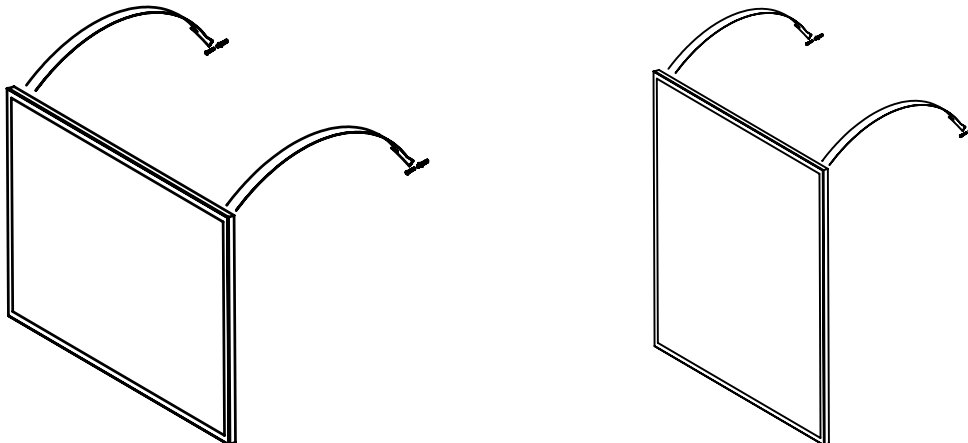
According to hole distance on mirror,  
 Plot points on the wall where you decided to mount mirror,  
 then drill holes on wall

Item No.	Dimension	Hole distance	Watts	Lumens	CCT
5001 1831 ML	16-1/8"×1-1/8"×31-1/2"	15-1/8(383mm)	21W	650LM	5000K
5001 2431 ML	23-5/8"×1-1/8"×31-1/2"	22-5/8(573mm)	25W	750LM	5000K
5001 3031 ML	29-1/2"×1-1/8"×31-1/2"	28-1/2(723mm)	28W	850LM	5000K
5001 3631 ML	35-1/2"×1-1/8"×31-1/2"	34-3/8(873mm)	29W	920LM	5000K
5001 4831 ML	47-1/4"×1-1/8"×31-1/2"	44-1/4(1173mm)	38W	1050LM	5000K



**\* This mirror can be mounted horizontally or vertically.**

put screw anchors into brick / stone. used special plaster plugs when mounting mirror on the wall.



---

---

## Wire Connections

- A. Wrap bare or green ground wire around green ground screw on the crossbar, no less than 2 inches from the end of the wire. Tighten the green ground screw.
- B. Strip back the wire covering the fixture wires as far as you need to. This will expose each fixture wire individually. Strip each end of the fixture wires.
- C. Use standard wire connectors (not included) to make all wire connections. Twist connectors until wires are tightly joined together. Wrap each connection with approved electrical tape and carefully stuff all the connected wires into the outlet box.

