

# DOWELL

**4012 0218**

**GREY Pull out Wire Basket**

INSTALLATION GUIDE

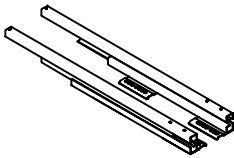
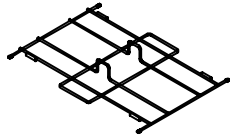
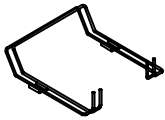
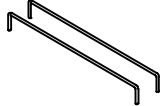
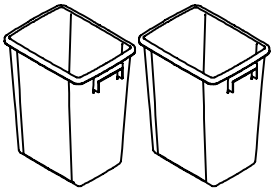
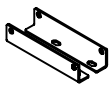
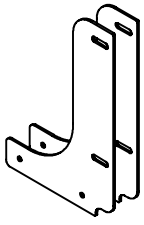
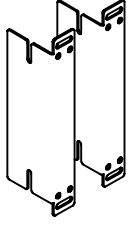


# 4012 0218






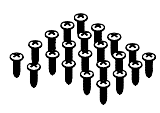
## GREY Pull out Wire Basket INSTALLATION GUIDE

# DOWELL

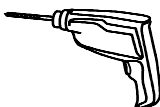
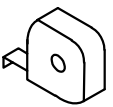
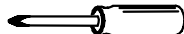
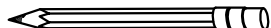
### Product parts

 Slide Rail 2pcs	 Baseboard 1pc	 Support Bar 2pcs	 Article U. 2pcs
 Plastic Bucket 2pcs	 Door Panel Connector 1 2pcs	 Door Panel Connector 2 2pcs	 Door Panel Fastener 2pcs

### Part List

 M4x8mm 3pcs	 M5x8mm 9pcs	 M5 5pcs	 M6x12mm 5pcs	 M6 5pcs	 ST4x14mm 22pcs
----------------------------------------------------------------------------------------------------	----------------------------------------------------------------------------------------------------	------------------------------------------------------------------------------------------------	-----------------------------------------------------------------------------------------------------	--------------------------------------------------------------------------------------------------	---------------------------------------------------------------------------------------------------------

### Recommended tools You Will Need-Outils Requis

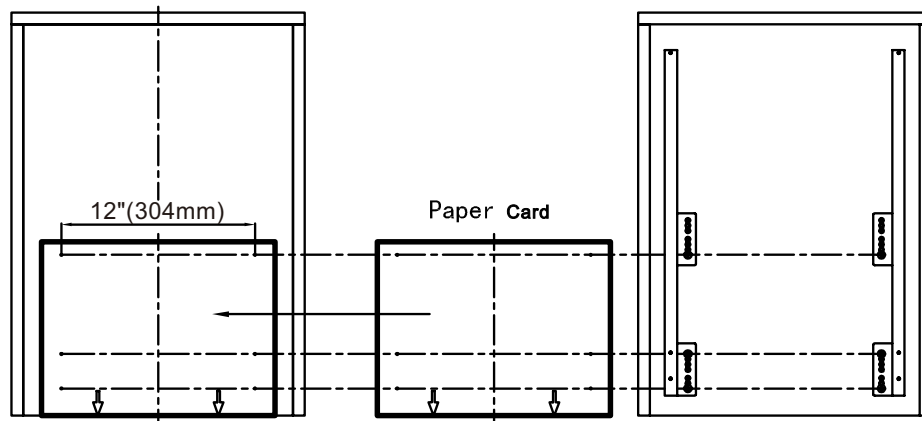
 Drill	 Measuring tape	 Screwdriver	 Pencil
----------------------------------------------------------------------------------------------	-------------------------------------------------------------------------------------------------------	----------------------------------------------------------------------------------------------------	-------------------------------------------------------------------------------------------------

# 4012 0218

## GREY Pull out Wire Basket INSTALLATION GUIDE

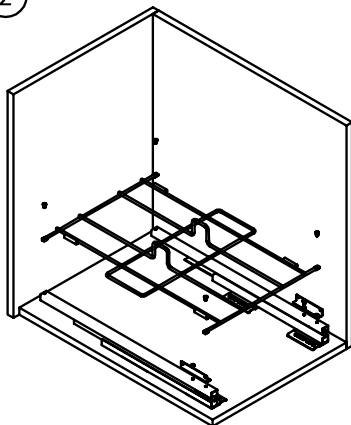
# DOWELL

①



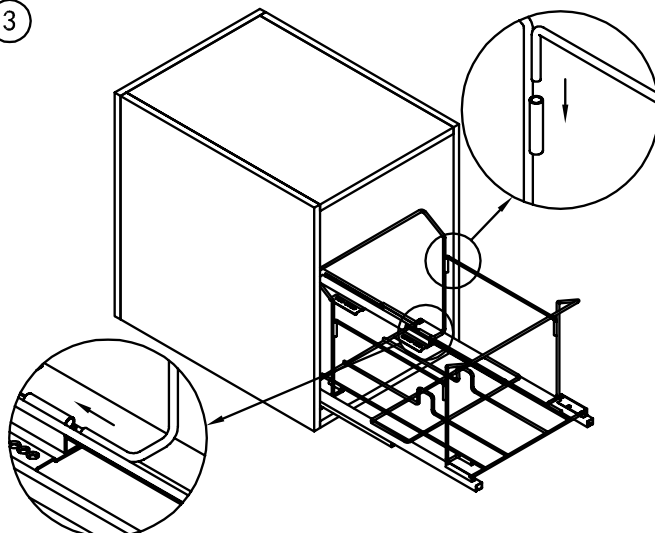
Align the arrow direction of the paper card with the edge of the cabinet, place the center line of the paper card on that of the cabinet, and use a 2.5-mm drilling bit to drill holes on the baseboard of the cabinet. Align the left and right guide rails with the holes shown in the figure, and secure the first step with six ST4x14mm self-tapping screws.

②



As shown in the figure, fix the door panel connector 1 and slide rail with 2pcs M4x8mm screws. Then, fix the baseboard with 4pcs M5x8mm screws to complete the second step.

③



Insert 2pcs of support bars into the bottom tube according to the arrow direction shown in the figure, and then insert 2pcs of U-shaped bars into the tube according to the arrow direction shown in the figure to complete the third step.

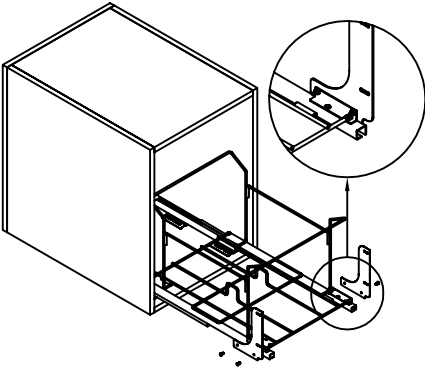
# 4012 0218

## GREY Pull out Wire Basket INSTALLATION GUIDE

# DOWELL

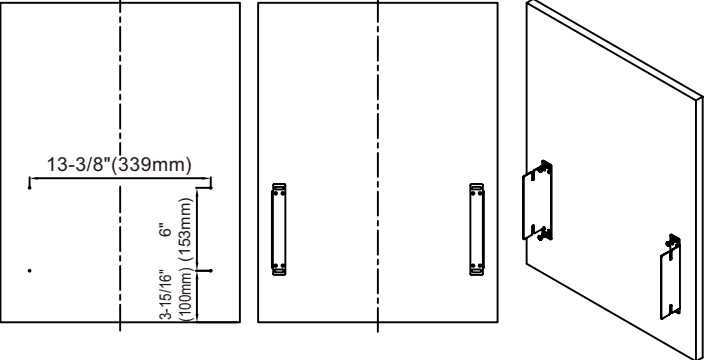
④

The fixed diagram



As shown in the figure, fix door panel connector 2 on the outside of door panel connector 1 with 4pcs M5x8mm screws and 4pcs M5 nuts. Then, the fourth step is completed.

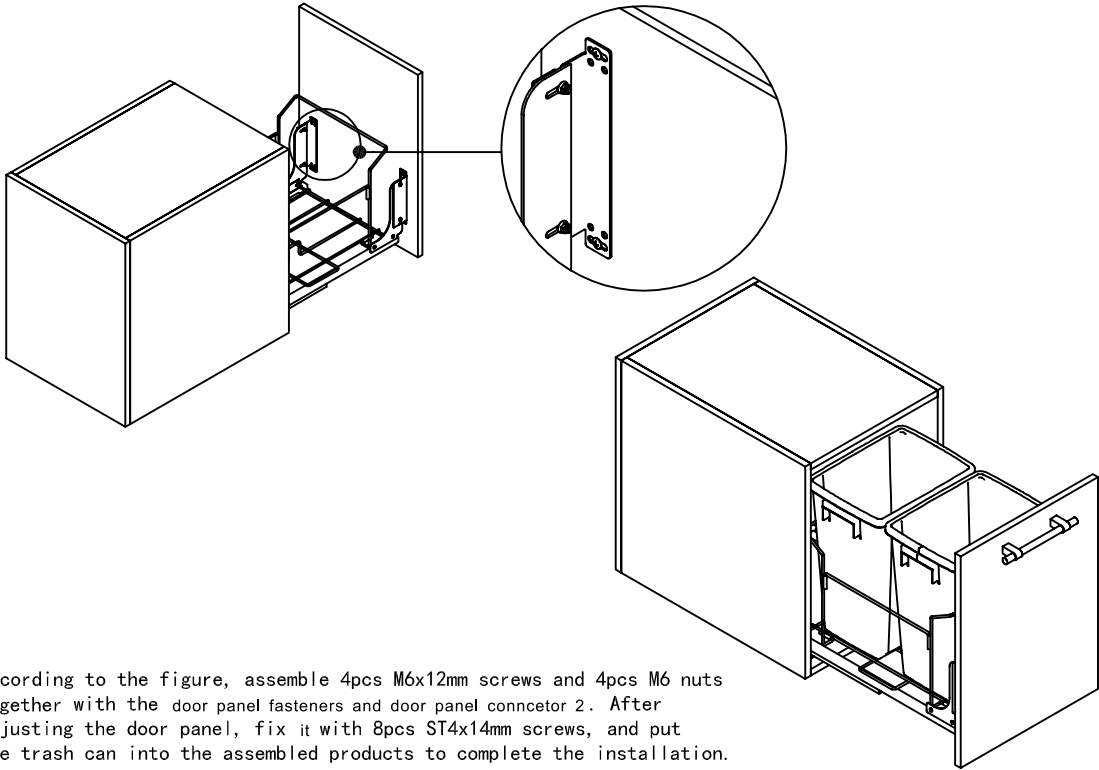
⑤



Tip; (this product cabinet door thickness requirements for more than 14mm is suitable for installation)

As shown in the figure, drill 4 pre-assembly holes with a 2.5mm drilling bit, and fix the door panel fasteners with 4 PCS ST4x14mm screws. (Note that the fixed holes are 4 long holes at this time, and the screws should be in the middle of the long holes.) Reserve for the next step when fine-tuning the cabinet door, and complete the fifth step of installation.

⑥



According to the figure, assemble 4pcs M6x12mm screws and 4pcs M6 nuts together with the door panel fasteners and door panel connector 2. After adjusting the door panel, fix it with 8pcs ST4x14mm screws, and put the trash can into the assembled products to complete the installation.