

# DOWELL

**4012 0115**

**GREY Pull out Wire Basket**

INSTALLATION GUIDE

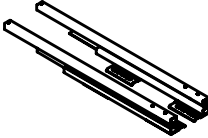
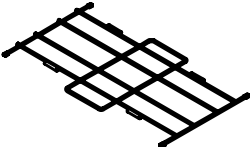
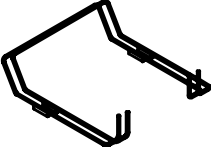
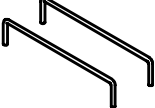
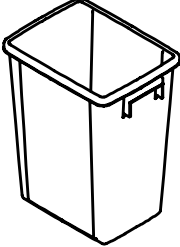
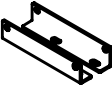

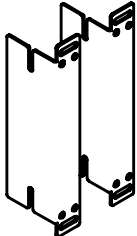


# 4012 0115


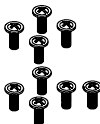




GREY Pull out Wire Basket  
INSTALLATION GUIDE

# DOWELL

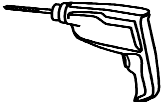
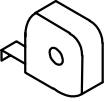


## Product parts

 <p>Slide Rail 2pcs</p>	 <p>Baseboard 1pc</p>	 <p>Support Bar 2pcs</p>	 <p>Article U. 2pcs</p>
 <p>Plastic Bucket 1pc</p>	 <p>Door Panel Connector 1 2pcs</p>	 <p>Door Panel Connector 2 2pcs</p>	 <p>Door Panel Fastener 2pcs</p>

## Part List

 <p>M4x8mm 3pcs</p>	 <p>M5x8mm 9pcs</p>	 <p>M5 5pcs</p>	 <p>M6x12mm 5pcs</p>	 <p>M6 5pcs</p>	 <p>ST4x14mm 22pcs</p>
--	--	--	---	--	---

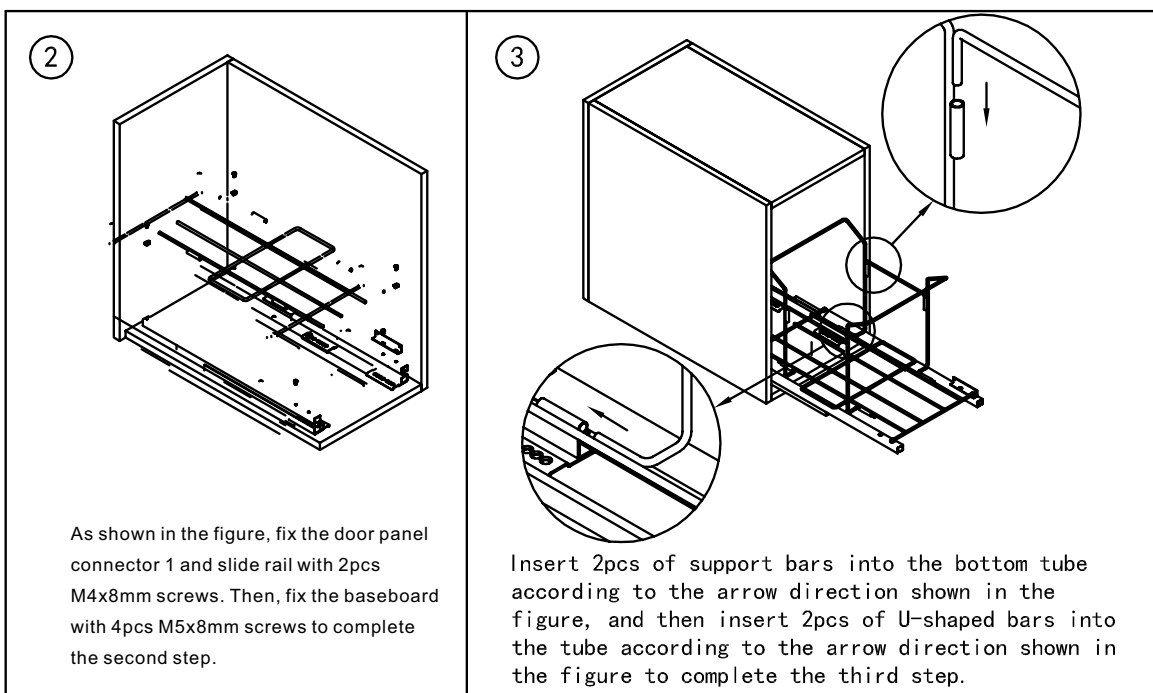
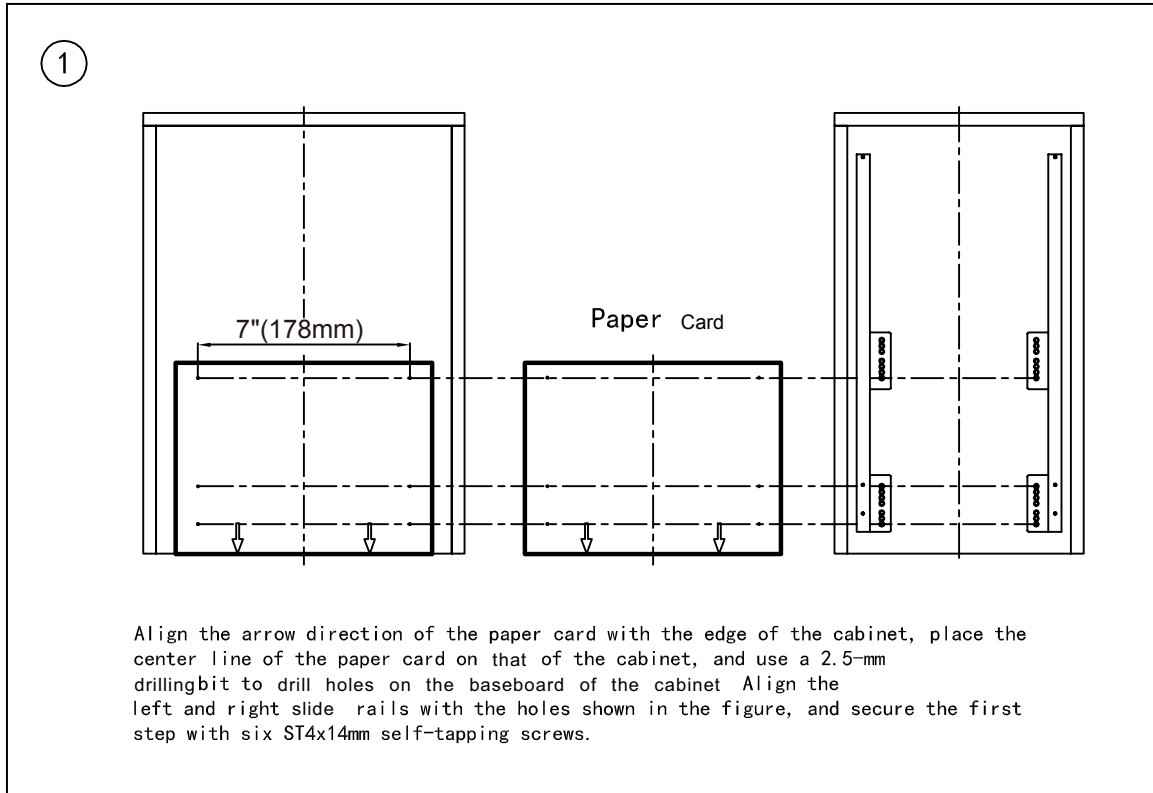
## Recommended tools You Will Need-Outils Requis

 <p>Drill</p>	 <p>Measuring tape</p>	 <p>Screwdriver</p>	 <p>Pencil</p>
--	---	--	---

# 4012 0115

## GREY Pull out Wire Basket INSTALLATION GUIDE

# DOWELL



**4012 0115**  
**GREY Pull out Wire Basket**  
**INSTALLATION GUIDE**

**DOWELL**

④

The fixed diagram

As shown in the figure, fix door panel connector 2 on the outside of door panel connector 1 with 4pcs M5x8mm screws and 4pcs M5 nuts. Then, the fourth step is completed.

⑤

**Tip; (this product cabinet door thickness requirements for more than 14mm is suitable for installation)**

As shown in the figure, drill 4 pre-assembly holes with a 2.5mm drilling bit, and fix the door panel fasteners with 4 PCS ST4x14mm screws. (Note that the fixed holes are 4 long holes at this time, and the screws should be in the middle of the long holes.) Reserve for the next step when fine-tuning the cabinet door, and complete the fifth step of installation.

⑥

According to the figure, assemble 4pcs M6x12mm screws and 4pcs M6 nuts together with the door panel fasteners and door panel connector 2. After adjusting the door panel, fix it with 8pcs ST4x14mm screws, and put the trash can into the assembled products to complete the installation.