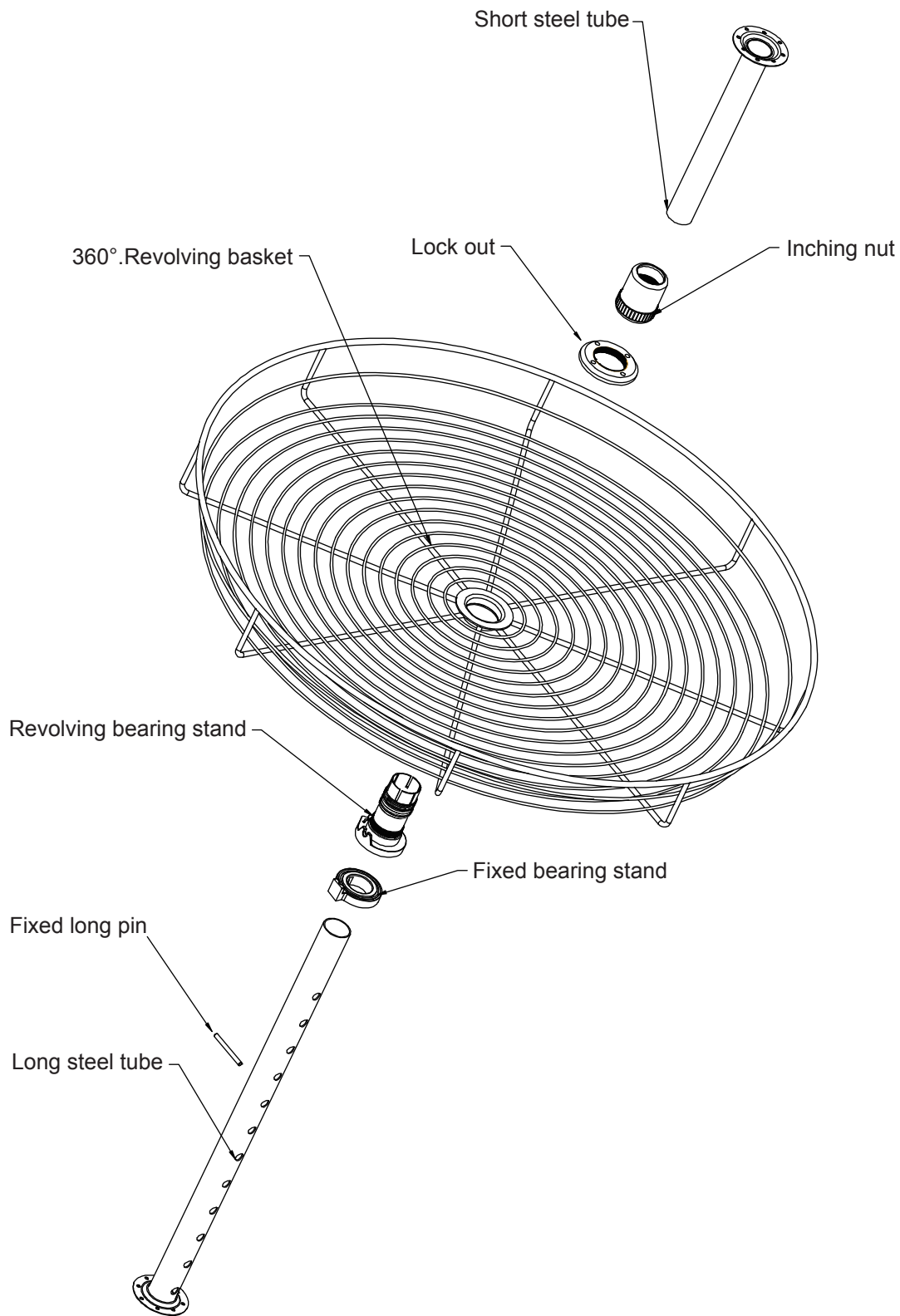


4001 360D

30"H Wall Corner Lazy Susan INSTALLATION GUIDE

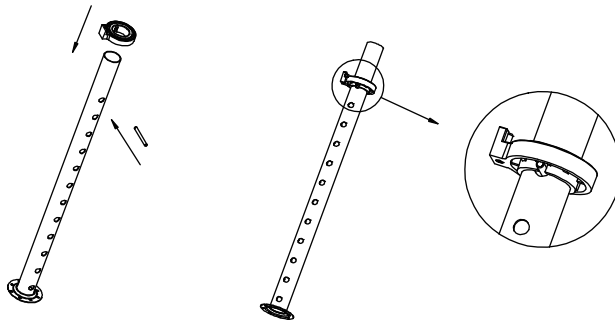
DOWELL



4001 360D

30"H Wall Corner Lazy Susan INSTALLATION GUIDE

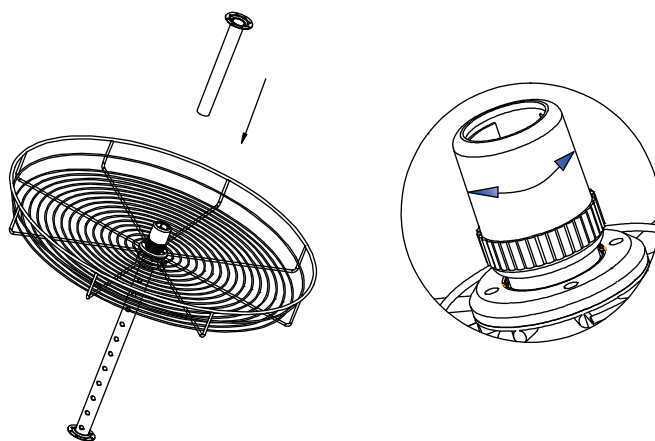
DOWELL



A

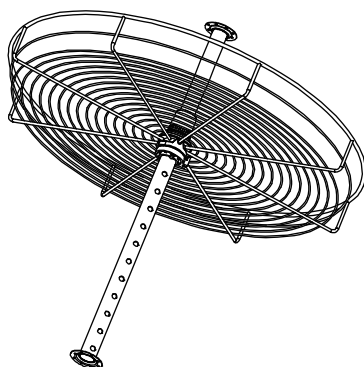
A

Fit in according to the sequence of the A, insert long pin into the hole of long steel tube to fix bearing stand position.



B

Put basket on it, then plug into short steel tube, lock it and tight with inching nut.



C

Fix the basket in the center of cabinet, completely install.