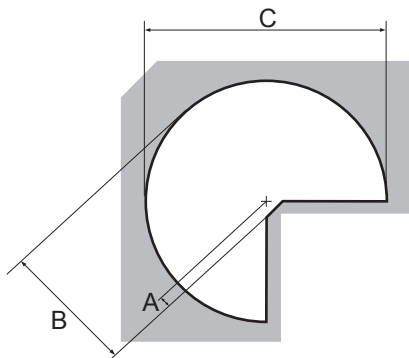
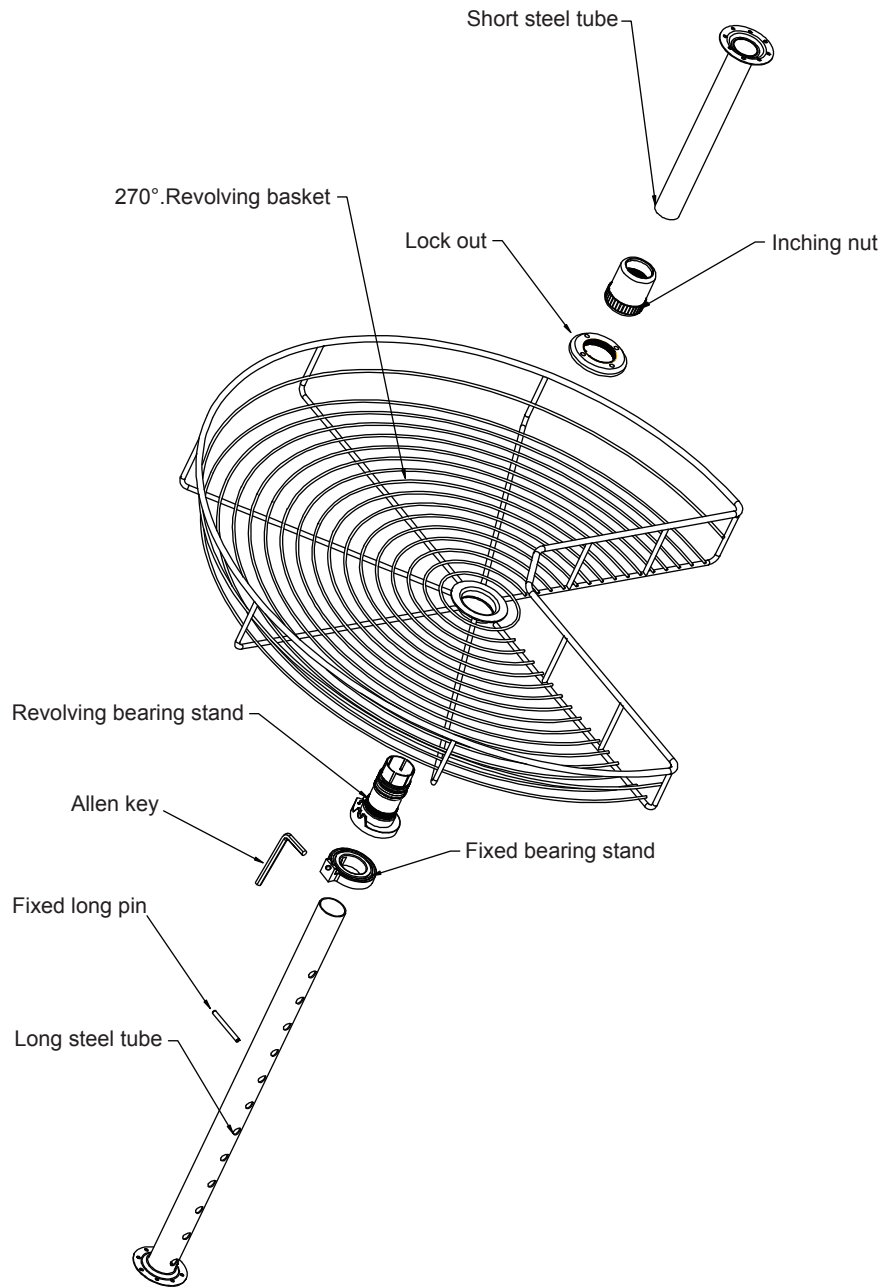


4001 270 32

Base Corner Lazy Susan
INSTALLATION GUIDE

DOWELL

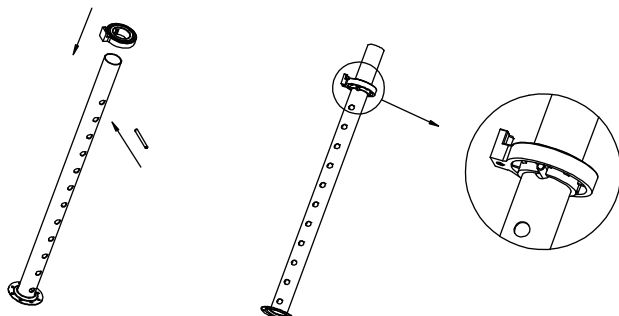


	A	B	C
4001 270 32	45mm 1-3/4"	445mm 17-1/2"	800mm 31-1/2"

4001 270 32

Base Corner Lazy Susan INSTALLATION GUIDE

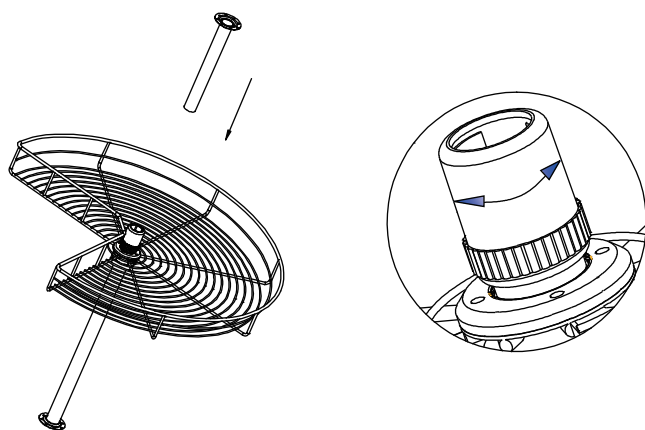
DOWELL



A

A

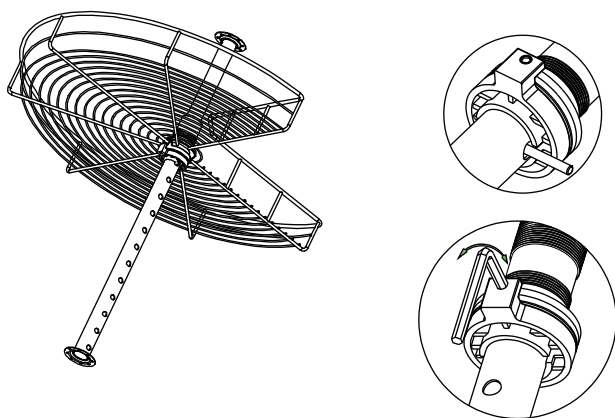
Fit in according to the sequence of the A, insert long pin into the hole of long steel tube to fix bearing stand position.



B

B

Put basket on it, then plug into short steel tube, lock it and tight with inching nut.



C

C

You can use an Allen key to adjust screw to make rotation strength and play a role of balance.