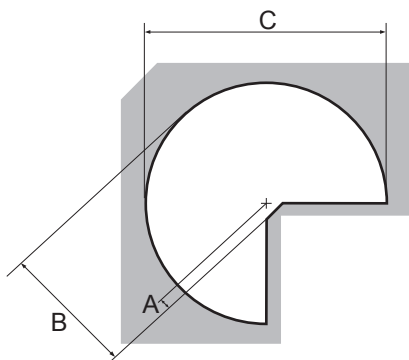
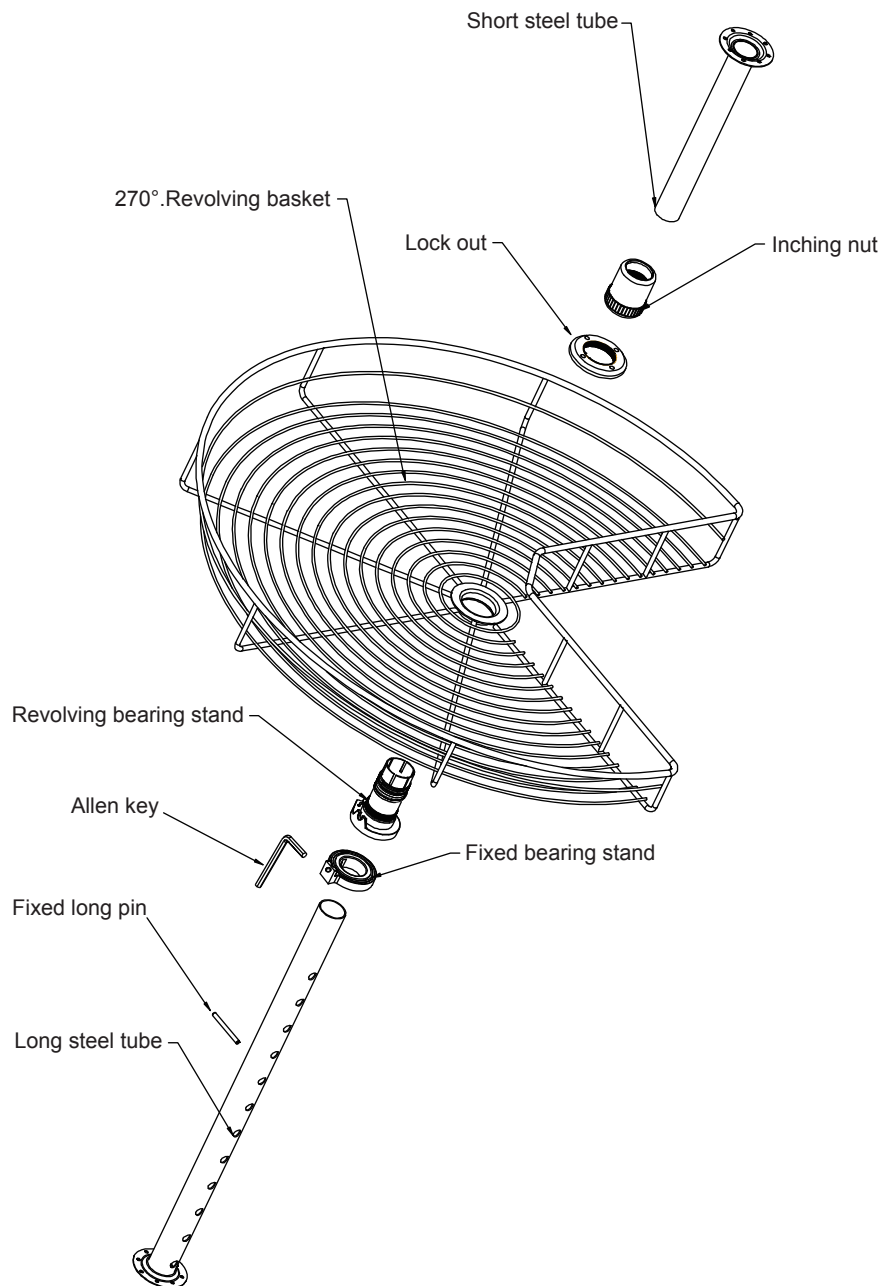


# 4001 270 28

## Base Corner Lazy Susan INSTALLATION GUIDE

# DOWELL

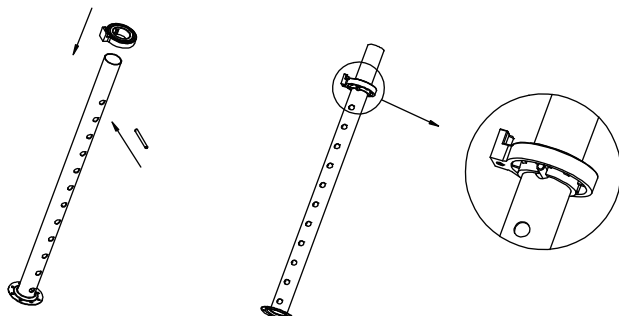


	A	B	C
4001 270 28	45mm 1-3/4"	400mm 15-3/4"	710mm 28"

# 4001 270 28

## Base Corner Lazy Susan INSTALLATION GUIDE

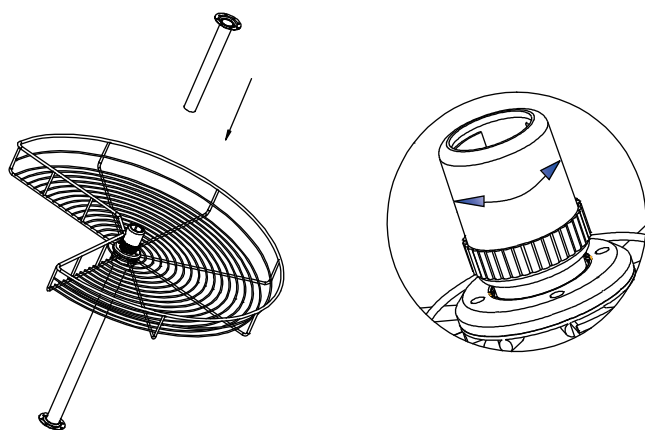
# DOWELL



A

A

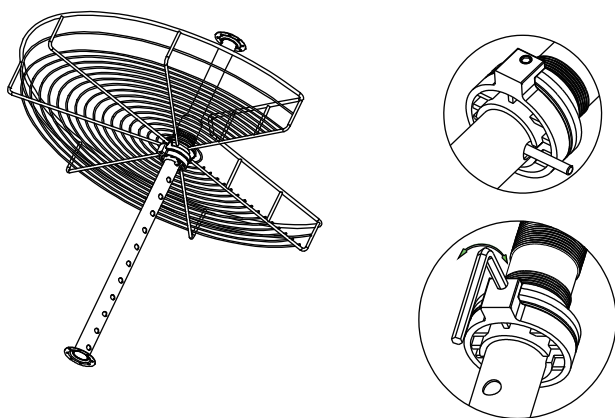
Fit in according to the sequence of the A, insert long pin into the hole of long steel tube to fix bearing stand position.



B

B

Put basket on it, then plug into short steel tube, lock it and tight with inching nut.



C

C

You can use an Allen key to adjust screw to make rotation strength and play a role of balance.