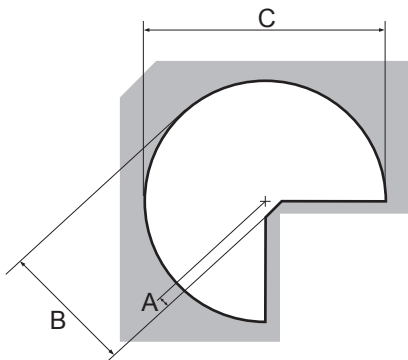
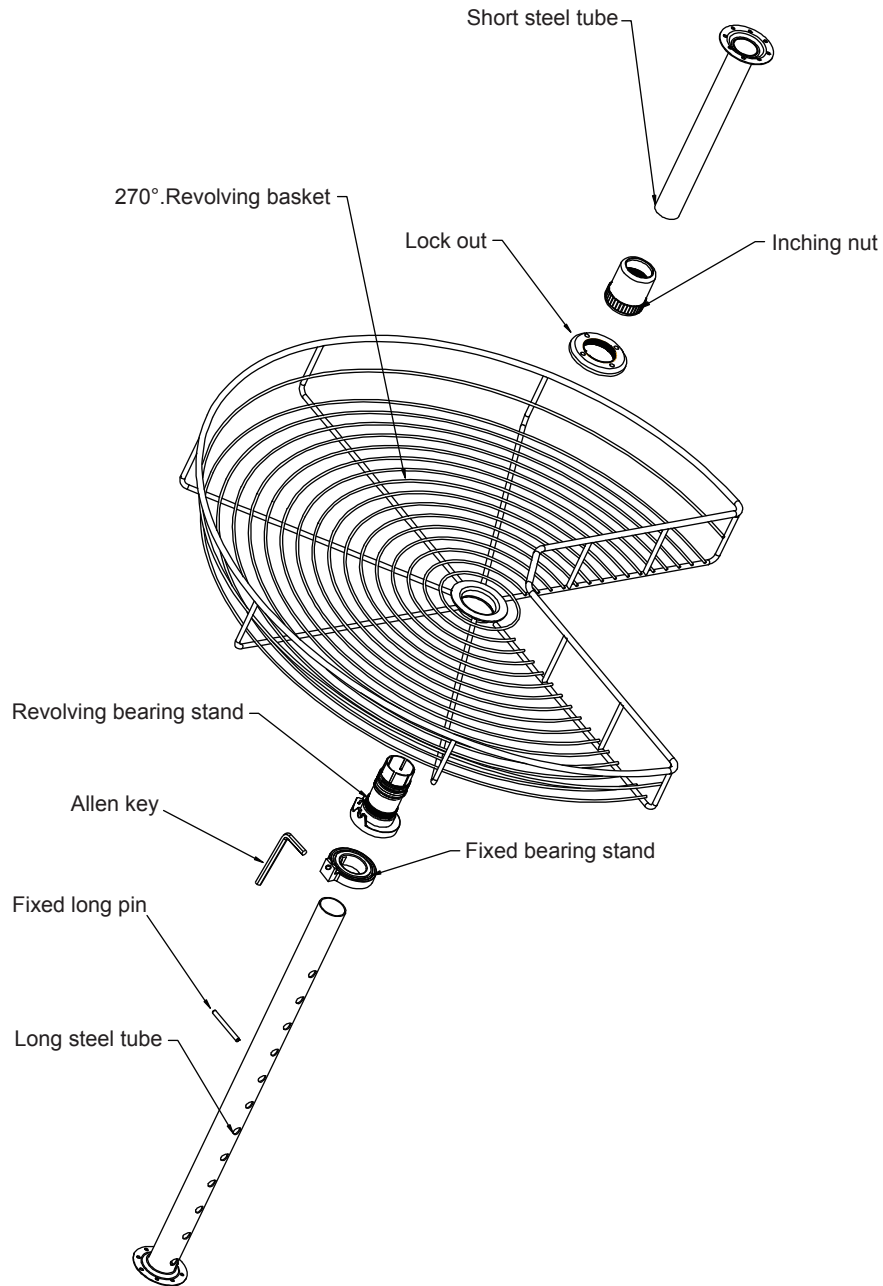


**4001 270 24**

Base Corner Lazy Susan  
INSTALLATION GUIDE

**DOWELL**

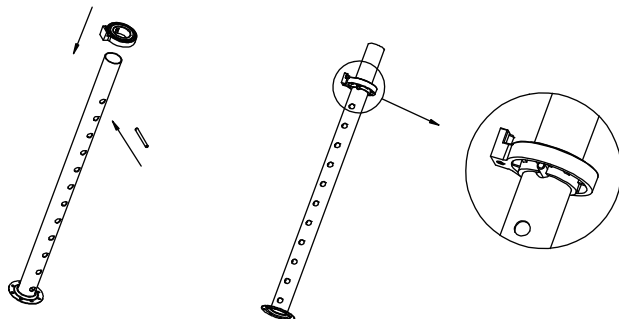


	A	B	C
4001 270 24	44mm 1-3/4"	344mm 13-1/2"	600mm 23-5/8"

# 4001 270 24

## Base Corner Lazy Susan INSTALLATION GUIDE

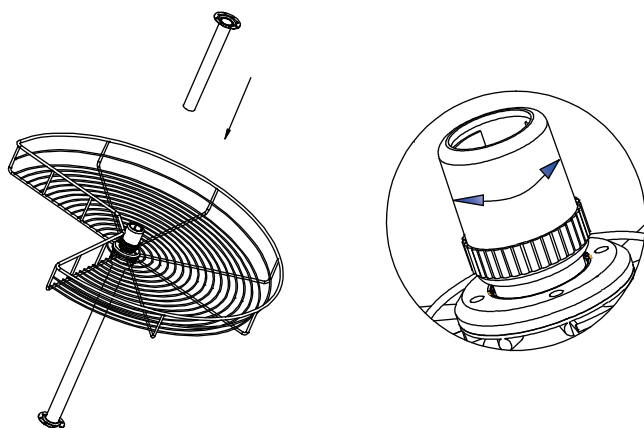
# DOWELL



A

A

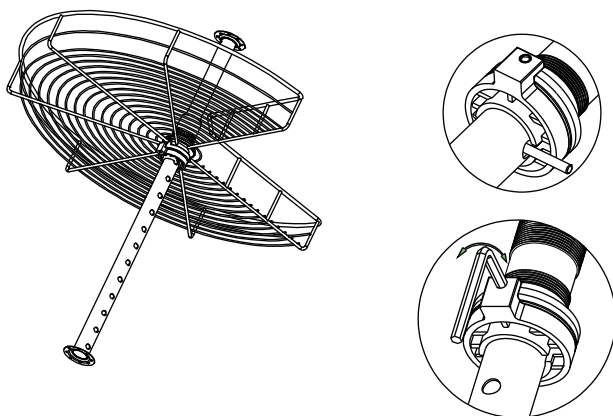
Fit in according to the sequence of the A, insert long pin into the hole of long steel tube to fix bearing stand position.



B

B

Put basket on it, then plug into short steel tube, lock it and tight with inching nut.



C

C

You can use an Allen key to adjust screw to make rotation strength and play a role of balance.