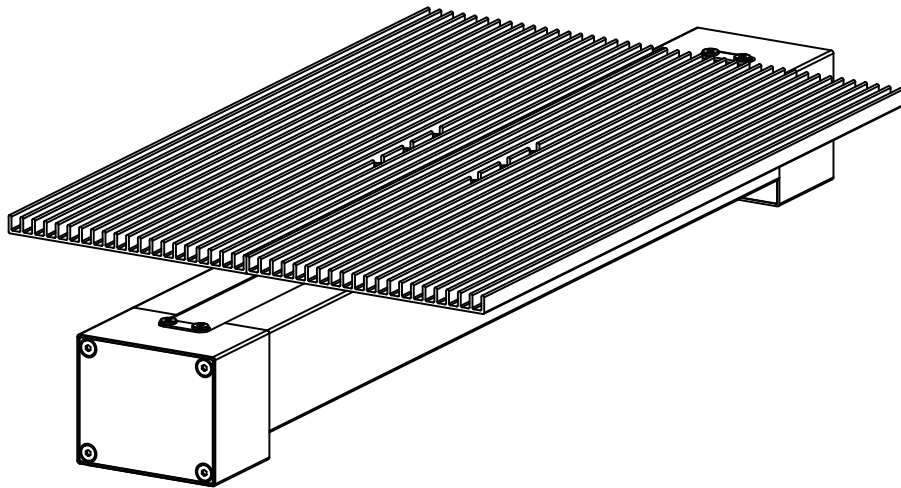




# LaserPecker 4 Slide Extension

## User Manual



## After-Sales Services

- Technical support for this product is available globally. Please contact us if you encounter any problem with your LP4 and we will get back to you as soon as possible.
- Email: [support@laserpecker.com](mailto:support@laserpecker.com)
- Tel: +86 0755-28913864

## Online User Community

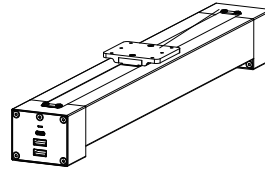
- LaserPecker's huge online global community connects our diverse group of dedicated users and offers support, inspiration, and a showcase for sharing creativity.
- Facebook: [LaserPecker 4](#)



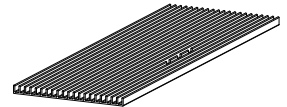
LaserPecker 4  
VIP Group

## List of Included Parts

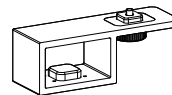
Slide Axis \*1



Cutting Pads \*2



Riser Add-on \*1



M3X6 Screw \*6



1m USB-C Cable \*1



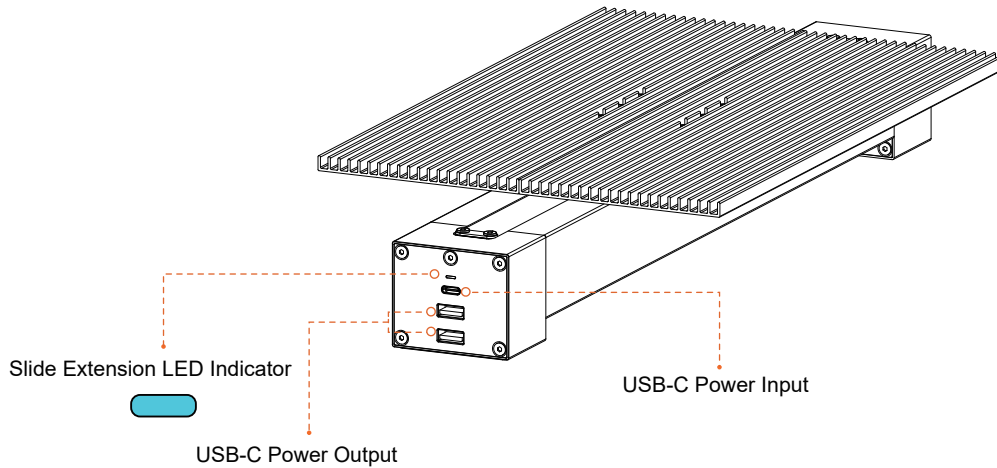
Wrench \* 1



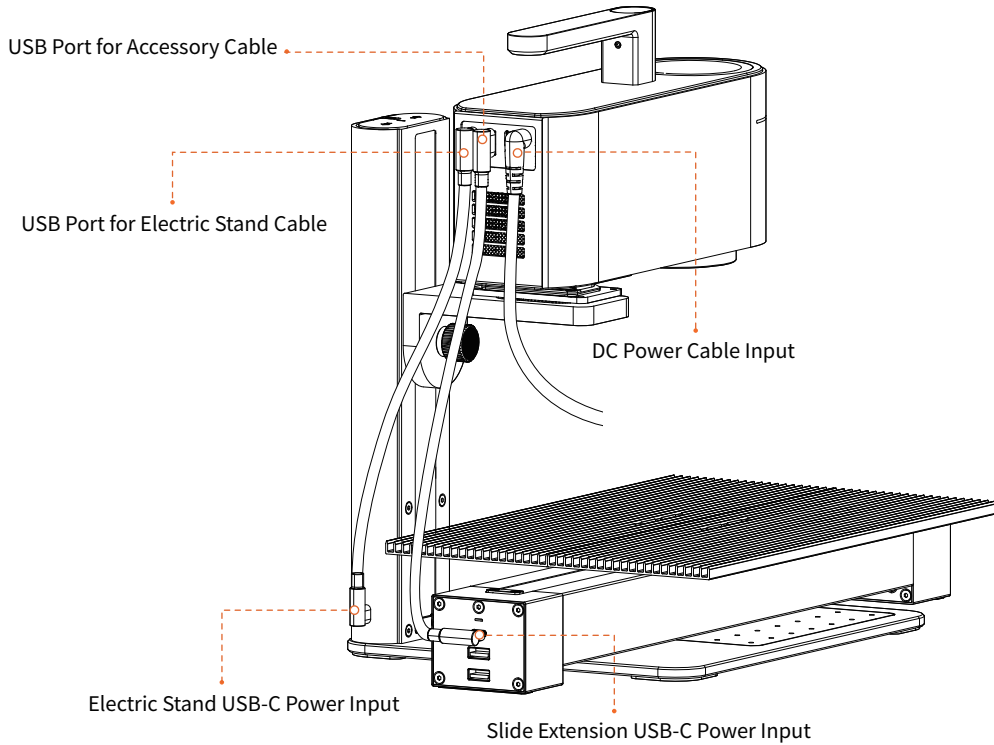
Binder Clip \* 2



# Component Overview & Descriptions

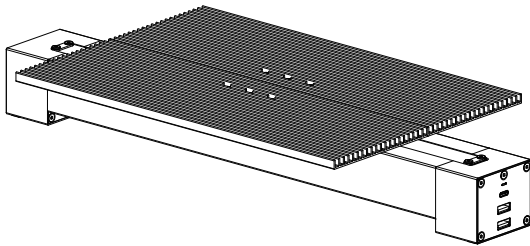


# Component Overview & Descriptions

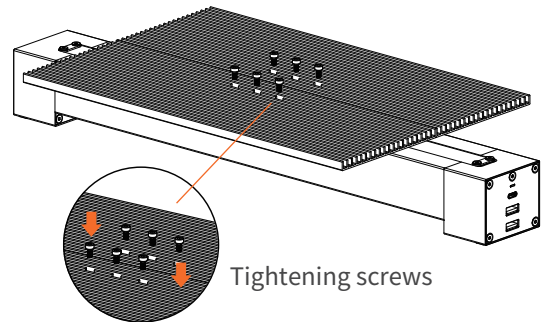


## Slide Extension Assembly

**1** Place the two cutting pads on the slide axis.



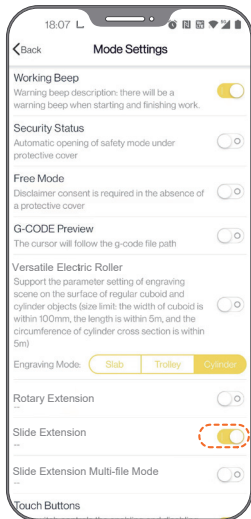
**2** Use the 6 pcs of M3 \* 6 bolts to assemble the cutting pads on the slide axis.



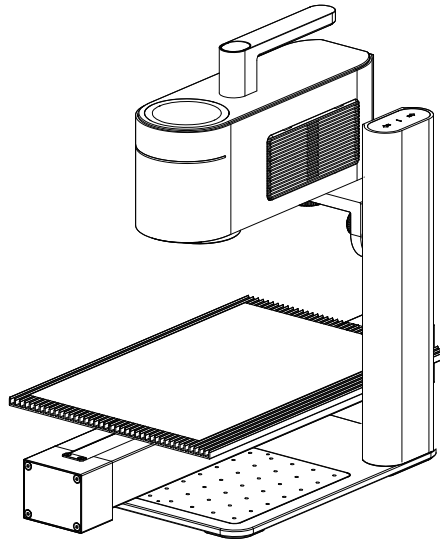
# Slide Extension Mode Guide

Turn on Mode Settings>Slide Extension on the app. Choose an image, set its size and position, start previewing, set the engraving power and depth parameters, and start engraving.

1 Turn on the Slide Extension button.



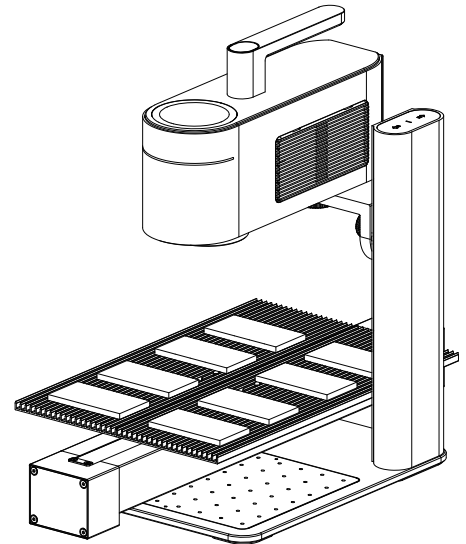
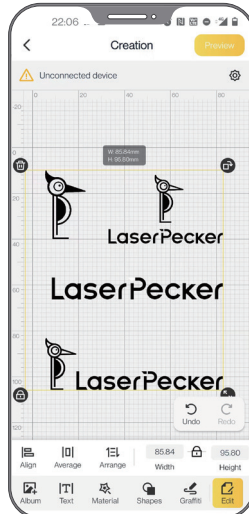
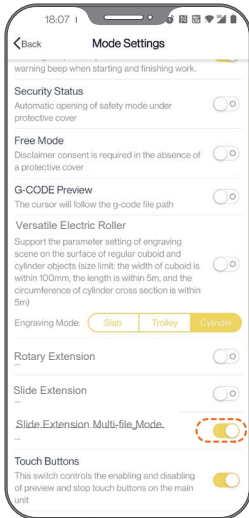
2 Adjust the position of the slide extension and start laser engraving and/or cutting.



# Slide Extension Multi-file Mode Guide

Turn on Mode Settings>Slide Extension Multi-file Mode on the app. Import images, set their sizes and positions, start previewing, set the engraving power and depth parameters, and start engraving and/or cutting.

- 1 Turn on the Slide Extension Multi-file Mode button.
- 2 Select all the files you need.
- 3 Put materials on the slide extension, preview, set parameters and start engraving and/or cutting.



## Product Specifications

Size	435*200*65mm
Weight	1.7kg
Moving Distance	300mm
Appearance	Anodic oxidation of aluminum alloy
Preview Speed	50mm/s
Idle Speed	4000mm/s
G-code Engraving Speed	4500mm/s
Connection Method	Wired Connection: Type-C Connection
USB- Output	5V-1A
Type-C Input	5V-1A



**LaserPecker**