

LaserPecker
Laserpecker 3 Versatile Electric Roller
 Operation Manual



Product Name: LaserPecker
 Model: L3 Special Expansion Addon
 Version number: 2022-10A

01 /Accessories list

Third Axis Addon



USB-C Aable



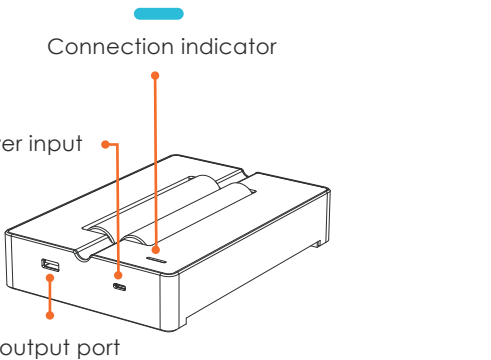
Silicone Bands



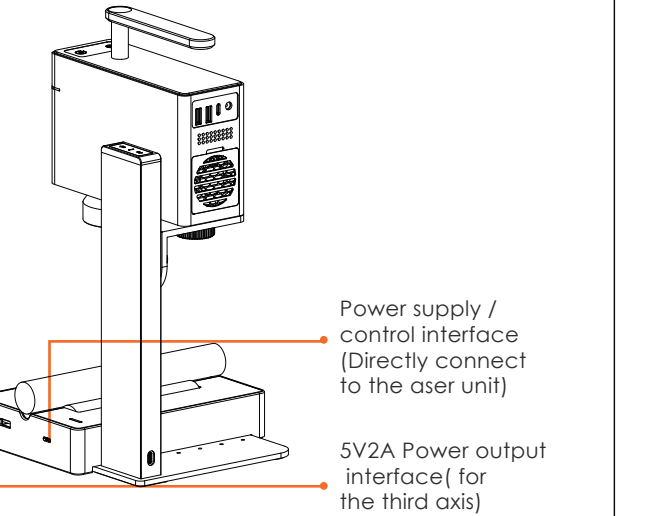
- We offer global online technical support services for this product. If you encounter any problems during your use, please feel free to contact us and we will respond to you as soon as possible.
- Facebook : LaserPecker 3
- Email : support@laserpecker.com
- Tel.: +86 0755-28913864

02 /Indicator and Interface Instructions

• **Interface and Indicator**



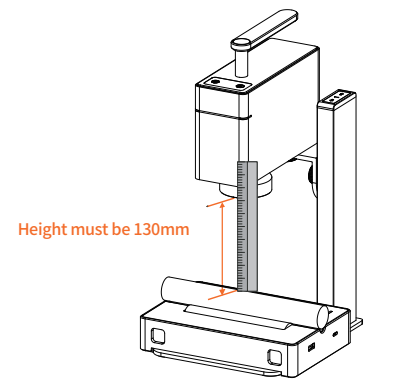
• **Connection Diagram**



03 /Ranging Method

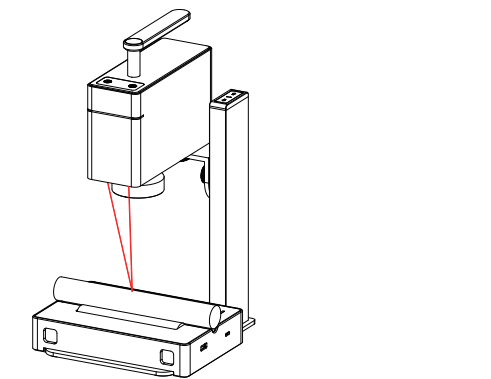
• **Ruler Ranging**

Distance from laser outlet to the surface of engraved object must be 130mm



• **Ranging by Ranging Rod**

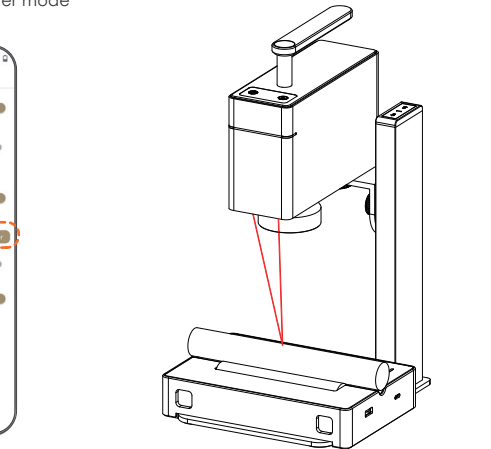
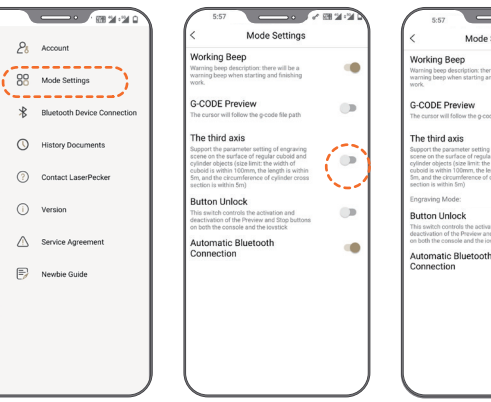
The bottom edge of rod contacts the surface of engraved object.



04 /Engraving Mode-Cylinder Mode

This mode is used to rotate carved cylindrical objects. Select [cylinder] mode in APP, set the correct distance 130mm ,preview engraving position , set proper power/depth and engraving size, then ready to engrave.

- 1 Mode selection
- 2 Open the third shaft
- 3 Select the cylinder mode



Engraving Smooth Objects

In [cylinder] mode, if the cylindrical object surface is too smooth, Engraving with silicone rings.

- 1 Put two silicone rings on both ends of the object.
- 2 They prevent the object from skidding on the metal rollers.

