

USER MANUAL

uFetti Blower

V1.0
2023/06/26

SHOWVEN®



SHOWVEN Technologies Co., Ltd

Thanks for choosing SHOWVEN uFetti Blower, we wish it will bring you lots of exciting moments. Please read the following user's manual carefully before operating this product.

▲ Safety Instructions

1. Safety icons explanation

Safety instructions warn of hazards when handling equipment and provide information on how to avoid those hazards. They are classified according to the severity of the hazard and are divided into the following groups. Please do follow all safety instructions in this document!

DANGER: Indicates a hazardous situation that, if not avoided, will result in death or serious injury. (This signal word is limited to the most extreme situations)

WARNING: Indicates a hazardous situation that, if not avoided, could result in serious injury

CAUTION: Indicates a hazardous situation that, if not avoided, could result in minor or moderate injury.

NOTICE: Provide additional or supplementary information.

2. General Safety Instructions

- ⚠ Make sure power supply is consistent with the rated voltage of the equipment, and the socket must be well grounded. Unplug and turn off the machine when not in use.
- ⚠ Please pay attention to the use environment and safety distance, check this manual for details.
- ⚠ After turning on the device, no person should stay in the danger area. Ensure all persons that are part of the show are informed about the safety distance, risks and functions of the device.
- ⚠ Always have a CO₂ fire extinguisher and an extinguishing blanket in case of need.
- ⚠ If there is any doubt as to the safe operation of the device, the device should be taken out of service immediately. Check the power switch, cable connections and power plug carefully. If you can't solve it, please always contact SHOWVEN (info@showven.cn) for help.
- ⚠ Use only SHOWVEN original confetti, otherwise, it may lead to failure or danger.
- ⚠ The operator responsible for the control of uFetti Blower must always have a clear view of the device, so that he/she can stop the show immediately when there is danger. The main AC power switch should be near the operator. So that the operator can turn off the power of all devices in case of abnormal.
- ⚠ The device shall not be altered and applied to other use purposes.

3. Disclaimers:

SHOWVEN technologies Co., Ltd excludes liability for unsafe situations, accidents and damages resulting from:

1. Ignoring warnings or regulations as shown on product manual or this manual.
2. Use for other applications or circumstances other than those indicated herein.
3. Changes to the device, including use of non-original spare parts, lack of maintenance etc.
4. Dismantling device without authorization from SHOWVEN.
5. Use of this machine by unqualified or untrained personnel.
6. Improper use of machine.

▲ **Technical Specifications**

uFetti Blower is a powerful confetti launcher with output up to 18m, equipped with dual fully automatic confetti dosing hopper and can be controlled both manually or automatically by DMX. Take advantage of the customized high-power blower and optimized Venturi tube design, the confetti can be spread farther and wider.

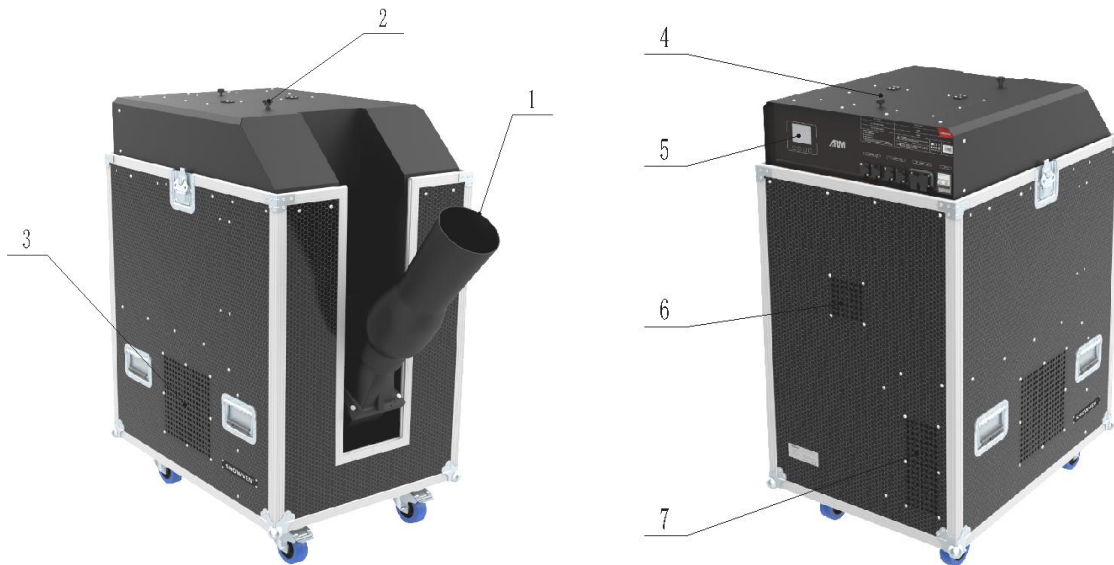
▲ **Features**

- √ Up to 18m confetti output
- √ Farther and wider confetti spread with customized high-power blower and optimized Venturi tube design
- √ Dual independently controllable hopper, automatic confetti dosing
- √ Adjustable output density and output angles (6 angles from 40-90°)
- √ Real-time motor running status monitoring
- √ Premium accessories, strong and durable
- √ Multi air inlet structure, machine keeps working even the air inlets on panel are blocked
- √ Rugged design with premium accessories, suitable for touring
- √ Both DMX and Manual controllable

▲ **Technical Specifications**

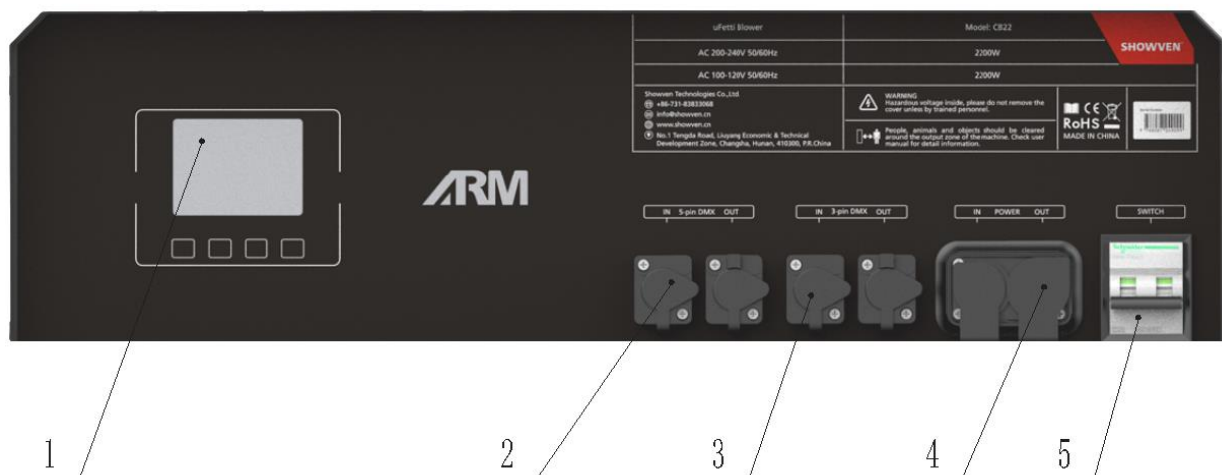
- √ **Model:** uFetti Blower
- √ **Dimension:** 880×660×1295mm (with casters)
- √ **Weight:** 112kg
- √ **Input:** AC100-120V / AC200-240V, 50/60Hz
- √ **Work Power:** 2200W
- √ **Interface:** Color touch screen
- √ **ARM Indicator Light:** Yes
- √ **Control:** DMX , Manual
- √ **DMX:** 3-pin and 5-pin DMX IN / OUT, 5-pin DMX IN support DC5V power supply for DMX receiver
- √ **Output Direction:** 40°~90° (6 adjustable angles)
- √ **Output Distance:** 18m
- √ **Blower Speed Adjustable:** Yes
- √ **Output Density Adjustable:** Yes
- √ **Consumable:** SHOWVEN Confetti
- √ **Confetti Hopper:** 2, separate control of each hopper
- √ **Hopper Capacity:** 2kg paper confetti / hopper *2; 4kg metallic confetti / hopper *2
- √ **Consumption Rate:** Paper confetti: 0.9kg/min; Metallic confetti: 1.8kg/min
- √ **Caster:** 4 casters with brake

▲ Structure



1. Venturi Output Tube
2. Output Tube Angle Adjuster
3. Air Inlet
4. Confetti Hopper
5. Control Panel
6. Service Port
7. Air Inlet

▲ Rear Panel



1. LCD Screen
2. 5-pin XLR IN/OUT (5-PIN XLR IN can charge for wireless DMX pen through pin1 and 4, pin4 with DC5V power supply)
3. 3-pin XLR IN/OUT
4. Power IN/OUT
5. Power Switch

▲ Display and setting

1. Main Interface

uFetti Blower can be controlled by DMX or manually. Manual control disabled when there is DMX signal in.

Click "MENU" in main interface, press and hold "RUN" to start the machine manually, press "STOP" to stop the machine, click "MONI" enter monitoring interface.

DMX ¹ 001	SAFE ² 003	STATE ³ STOP	DMX 001	SAFE 003	STATE WORK
Low-Power Mode ⁴			Low-Power Mode		
MEUN	STOP	RUN	MEUN		MONI ⁵

REGION	ITEMS	RANGE	DEFAULT	EXPLANATION
1	DMX address	1~512	1	When there is DMX signal in, background color changes from black to red
2	Safety address	1~512	3	When safety channel DMX value between 50-200, background color changes from black to red
3	Device status	STOP / WORK	STOP	When blower is working, STATE changes from "STOP" to "WORK", and background color changes from black to red
4	Information	--	--	Three types of contents will displayed here: 1. Error information 2. When under manual control, displays Run Timer and Pause Timer 3. Output Mode
5	Key instruction	--	--	When there is DMX signal in, STOP and RUN are hidden and disabled

2. ARM indicator light



Operators can enable/disable the arm indicator light by set the "ARM STATE" in Advanced menu. If "ARM STATE" is ON, there will be three status:

ON: no DMX signal

OFF: DMX signal input

BLINK: DMX armed or machine blower is ON

3. Error Message

Error Message	Why it appears	How to remove
E1 Hopper Lid Open	Confetti Hopper Lid is open, device stops working or can't start working	Close confetti hopper lid
E2 Hopper Running Error	Feeding motor blocked, device stops working	Check the hopper and feeding motor, solve the block problem
E3 Blower Running Error	When blower running abnormal	Check the blower and solve the problem

4. Monitor Interface

Press "MONI" can enter monitor interface, press "BACK" switch back to main interface.

Menu	Explanation
Blower Speed(r/min)	Blower present speed
Hopper Roll Motor State	Hopper feeding motor status monitoring

5. Menu Interface

Press "MENU" enter menu interface, press "LEFT", "RIGHT" enter different items, press "BACK" switch back to main interface.

Menu	Explanation
MAIN	Main menu
ADVANCED	Advanced menu
FACTORY	Factory menu (password is required to enter)
BACK	Back to main interface
LEFT	Left item
RIGHT	Right item
EDIT	Select

6. Main Menu

Select "MAIN" in menu interface, press "EDIT" to enter main menu.

BACK: Back to previous interface

UP: up or +

DOWN: down or -

EDIT: Edit selected items

SAVE: Save

Items	Contents	Default	Description
Set DMX Address	1-512	1	Device DMX address
Set Safety Addr	1-512	3	Safety DMX address
Output Mode	High_Power/ Low_Power	High_Power	Blower output mode
Duration (s)	10-600	600	Firing duration when manual firing
Interval (s)	0-600	0	Firing interval when manual firing
Hopper Roll Speed1	1-100	100	Hopper 1 roll speed when manual firing
Hopper Roll Speed2	1-100	100	Hopper 2 roll speed when manual firing

7. Advanced Interface

Select "ADVANCED" in menu interface, press "EDIT" to enter advanced menu.

Items	Contents	Default	Description
Mode Selection	User Mode /Factory Mode	User Mode	Factory mode is for manufacturer use only
ARM State	ON/OFF	ON	ARM indicator light ON/OFF setting
LCD Backlight	ON/OFF	ON	ON: LCD backlight long on OFF: LCD backlight off in 30s if no operation
Key Sound	ON/OFF	ON	Keypad sound ON/OFF setting
DMX Lock	ON/OFF	OFF	ON: Keypad function disabled when there is DMX signal in
Motor Protect	ON/OFF	ON	ON: Turn on the error message prompt function of the motor (feeding motor and blower motor).
DefaultParameter	ON/OFF	OFF	Reset default parameter settings

▲ DMX CONTROL

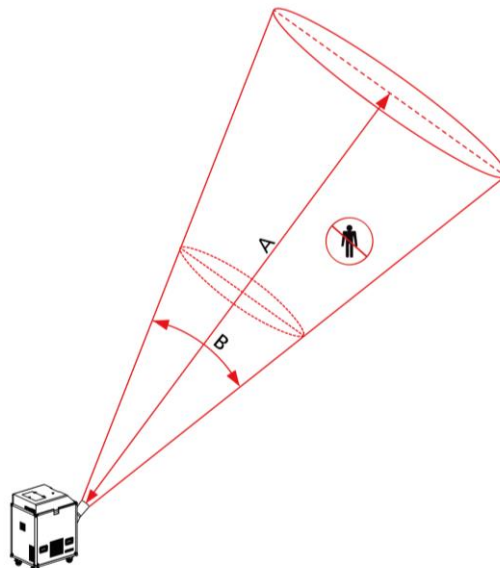
uFetti Blower occupies 2 functional channel CH1, CH2 and 1 separate safety channel CH-S (this channel is independent from functional channels, can be shared with other machine).

Channel	Function	Value
CH1	Output (hopper 1)	0~9: NO output 10~255: Hopper 1 output increase
CH2	Output (hopper 2)	0~9: NO output 10~255: Hopper 2 output increase
CH-S	Device enable / disable	0~ 49 and 201~255: Device disabled 50~200: Device enabled

△ Operation

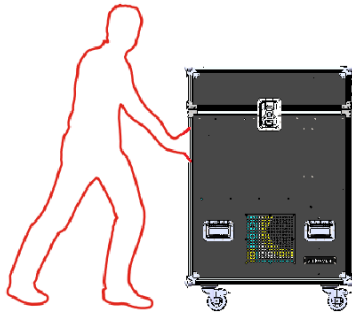
1. Safety instructions

- DANGER:** Make sure that confetti cannot come into contact with high-voltage lines/power pylons, as this can result in electrocution.
- WARNING:** All operations must be performed by professionals, and non-professionals are prohibited from operating.
- WARNING:** Use of a damaged or improperly installed machine could result in death, serious injury, or property damage. Always inspect the machine thoroughly before operating it.
- WARNING:** Do not use the uFetti Blower if alterations have been made other than by or on behalf of SHOWVEN.
- WARNING:** Make sure there are no objects that can be damaged by the machine within the output distance. And no people or animals are allowed to stay in the direct output.
- WARNING:** Make sure power supply is consistent with the rated voltage of the equipment, and the socket must be well grounded. Do not connect more units to a single electrical circuit than the installed fuse is able to handle. Recommended to connect only a single unit of device to a power supply cable.
- WARNING:** Make sure there are no objects near the air inlet port that can block the air to be sucked in.
- WARNING:** The red cone area shown in below picture is the safe isolation range of this product, and unauthorized persons or objects are strictly prohibited from entering. $A=10m$, $B=40^\circ$.



2. Install uFetti Blower

- 2.1 Bring the machine to desired location.



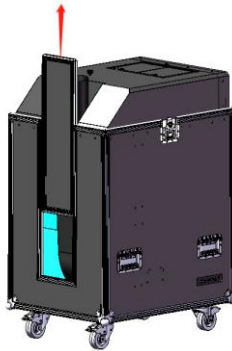
2.2 Lock all four casters of the machine.



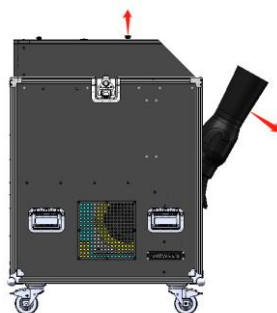
2.3 Unlock and remove the flight case cover



2.4 Remove the slide panel.

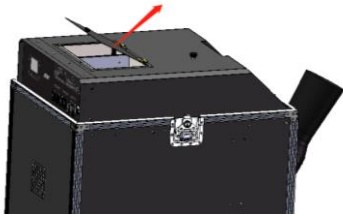


2.5 Adjust the output angle of venture tube, make sure angle adjuster is locked.

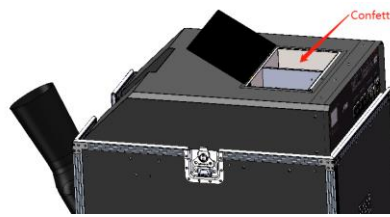


WARNING: Never use the machine when the angle adjuster is not properly in place. Not doing so can result in serious injury or death

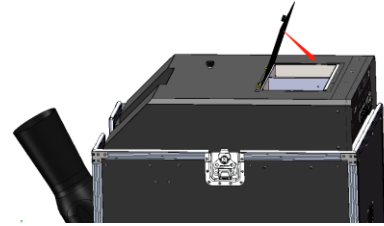
3. Fill the machine with confetti



3.1 Open the hopper lid



3.2 Fill hoppers with confetti



3.3 close the hopper lid

uFetti Blower with two independently controllable hopper, please fill the hopper with SHOWVEN original confetti accordingly.

Consumable	Size	Max. load each hopper	Max. Consumption Rate (dual hopper)
Paper Confetti	55x17 mm	2KG	0.9kg/min
Metallic Confetti	55x17 mm	4KG	1.8kg/min

WARNING: Using any other objects other than SHOWVEN® CONFETTI can lead to death or serious injury.

NOTICE: Do not fill machine with used confetti, it may cause the machine block.

4. Connecting uFetti Blower

- Connect a power cable to the POWER IN socket of uFetti Blower. Connect the other end of power cable to the power source. Make sure power supply is consistent with the rated voltage of the equipment, and the socket must well grounded.
- Power ON uFetti Blower

DMX control, Please follow below steps:

- Connect a DMX cable to the DMX IN socket of first unit of uFetti Blower, another head of this DMX cable connect to DMX console (such as FXcommander). Make sure the DMX console is powered off.
- Connect a DMX cable to the DMX OUT socket of previous uFetti Blower, and the other end to the DMX IN of next machine. Connect all devices in series in this way.
- Suggest to plug in a DMX terminator into the DMX OUT in last unit of machine to improve signal reliability. For distance >200m please use SHOWVEN DMX splitter 8 to amplify the signal.
- Assign DMX address for each unit of uFetti Blower. If use SHOWVEN host controller or FXcommander to control the machine please allocate a unique DMX address for each unit of machine.
- Power ON DMX console

5. Firing (DMX or Manual control)

Double confirm the prescribed safety isolation zone is clear, no person, animal or other property within this region. Make sure no objects block the air inlet ports.

DMX Control:

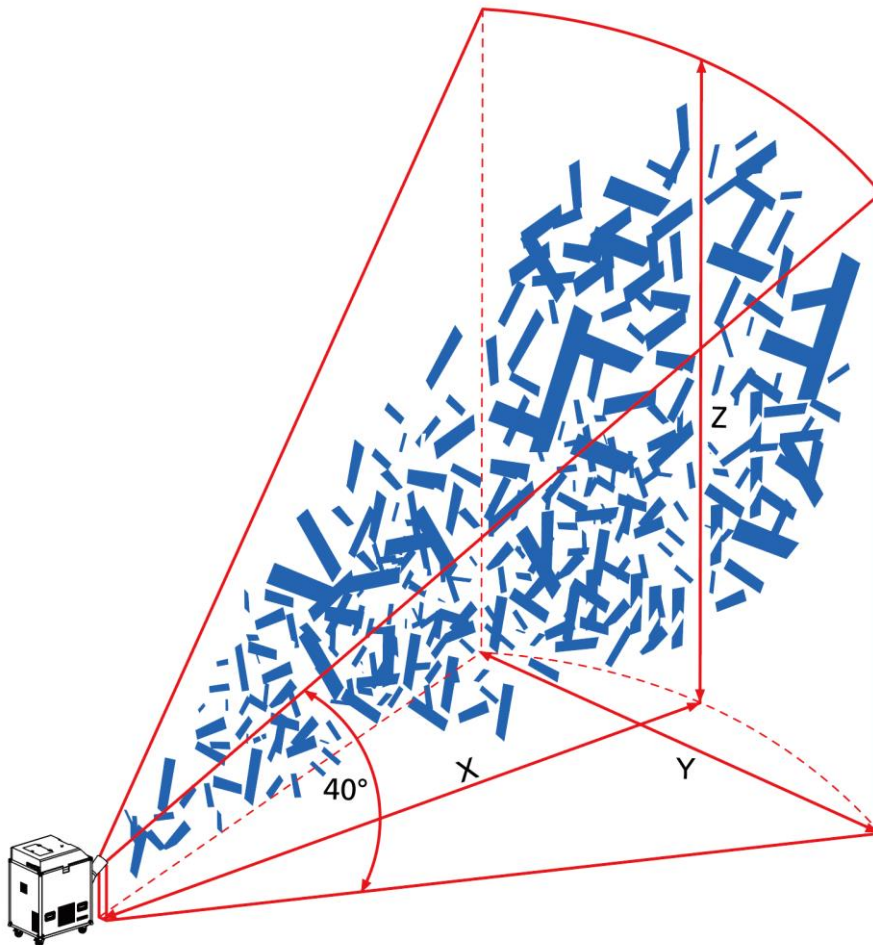
- Activate the safety channel and enable device, the ARM indicator light blinking.
- Activate the effect by setting the DMX value of hopper 1 and/or hopper 2. The output density will increase as DMX value increase from 10 to 255. By activating one or both hoppers, the fan will start blowing.
- Adjust the effect density of each hopper during the effect duration if desired.
- Change the DMX values of both output hopper 1 and hopper 2 below 10, then deactivate the enable address of safety channel. The ARM indicator light will OFF.

Manual Control:

To blow uFetti Blower manually please disconnect DMX connection, press and hold "RUN" button on LCD screen to start the machine. Press "STOP" to stop the output.

Output distance

The output height, width and distance depend on the type of confetti, the output angle, the operation mode of the blower etc.



Consumable	Max. Output Distance (X)	Max. Output Width (Y)	Max. Output Height (Z)
Paper Confetti	18m	8m	11m
Metallic Confetti	13m	5m	8m

NOTICE:

The above parameters are test parameters with SHOWVEN original confetti under ideal conditions with no wind, and the venturi output tube is set at 40 degrees.

6. Power OFF and clean up

- Power OFF uFetti Blower, disconnect power and/or DMX cables.
- Pull the angle adjuster and set the output venturi tube to vertical position, and make sure it is locked tight.
- Remove any remaining confetti from the hopper and from in/outside the machine.
- Place the slide-in-panel and flight case cover back, lock the flight case cover. Release the brakes for casters.

▲ Maintenance

- To maintain the machine in good performance and running status, it is recommended to running the device at least once per month.
- To maintain the best performance of machine the hopper rollers (*Part No. SFMET1163*) need to be replaced after a period of use. Please contact SHOWVEN or your direct supplier for operation procedures.

Warranty Instructions

- √ Sincere thanks for your choosing our products, you will receive quality service from us
- √ The product warranty period is one year. If there are any quality problems within 7 days after shipping out from our factory, we can exchange a brand new same model machine for you
- √ We will offer free of charge maintenance service for machines which with hardware malfunction (except for the instrument damage caused by human factors) in warranty period. Please don't repair machine without factory permission

Below situations NOT included in warranty service:

- √ Damage caused by use unqualified consumables;
- √ Damage caused by improper transportation, usage, management, and maintenance, or damage caused by human factors;
- √ Disassemble, modify or repair products without permission;
- √ Damage caused by external reasons (lightning strike, power supply etc.)
- √ Damage caused by improper installation or use;

For product damage not included in warranty range, we can provide paid service.

Invoice is necessary when applying for maintenance service from SHOWVEN

SHOWVEN[®]



Showven Technologies Co., Ltd.

Tel: +86-731-83833068

Web: www.showven.cn E-mail: info@showven.cn

Add: Liuyang Economic Development Zone, Changsha, 410300, Hunan Province,
P.R.China