

Extra Wide Safety Gate

Fits openings 97cm - 108cm



**IMPORTANT! READ AND FOLLOW
THESE INSTRUCTIONS CAREFULLY
AND KEEP FOR FUTURE REFERENCE**

This product complies with EN1930:2000 Standard.

AFTER SALES SUPPORT

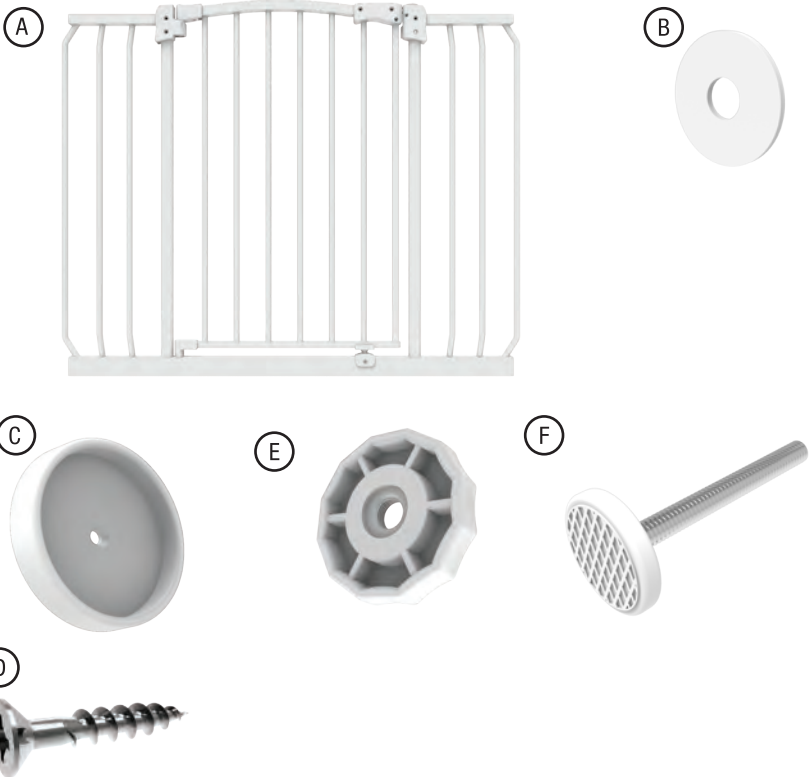
 info@childsafetyhelp.com

www.permachildsafety.com

Product Code: 745

Parts List

- A. 1x Safety Gate
- B. 4x Adhesive Pads
- C. 4x Holding Cups
- D. 4x Screws
- E. 4x Adjuster Screws
- F. 4x Adjuster Bolts

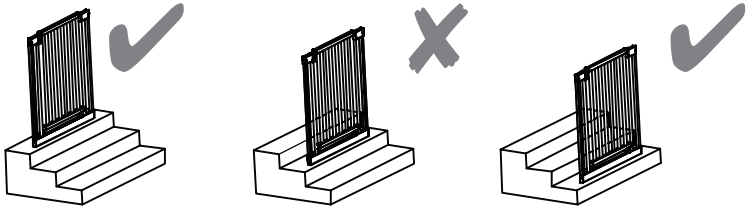


If any parts are missing do not attempt to use your Extra Wide Safety Gate. Please call after sales support to obtain replacements. Only use parts supplied by manufacturer with your Extra Wide Safety Gate.

Safety Information

WARNING

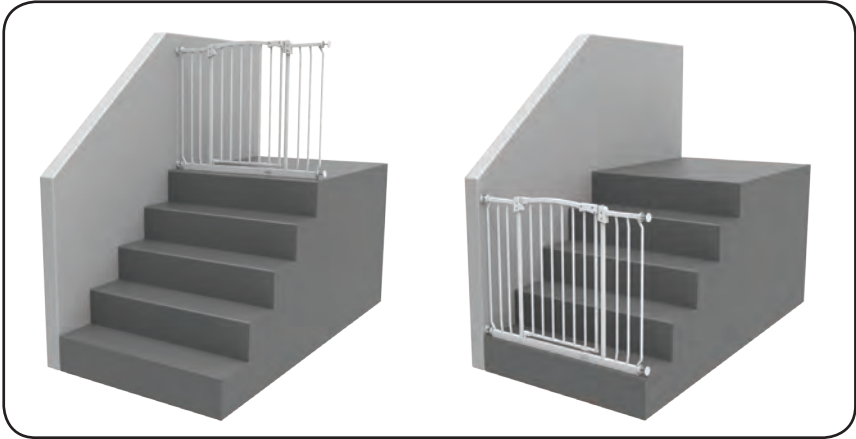
- WARNING** - To prevent serious injury or death, securely install gate or enclosure and use according to manufacturer's instructions.
- WARNING** - Never leave child unattended when using this product.
- WARNING** - Incorrect installation can be dangerous.
- WARNING** - Do not use the safety barrier if any components are damaged or missing.
- WARNING** - The safety barrier must not be fitted across windows.
- WARNING** - Never use with a child able to climb over or dislodge/open the gate or enclosure.
- WARNING** - Danger to older children if climbing over the product.
- WARNING** - Never install this product on glass doors. Install this product against reliable doors or walls.
- WARNING** - If the safety barrier is used at the top of the stairs, it should not be positioned below the top level.
- WARNING** - If the safety barrier is used at the bottom of the stairs, it should be positioned at the front of the lowest tread possible.



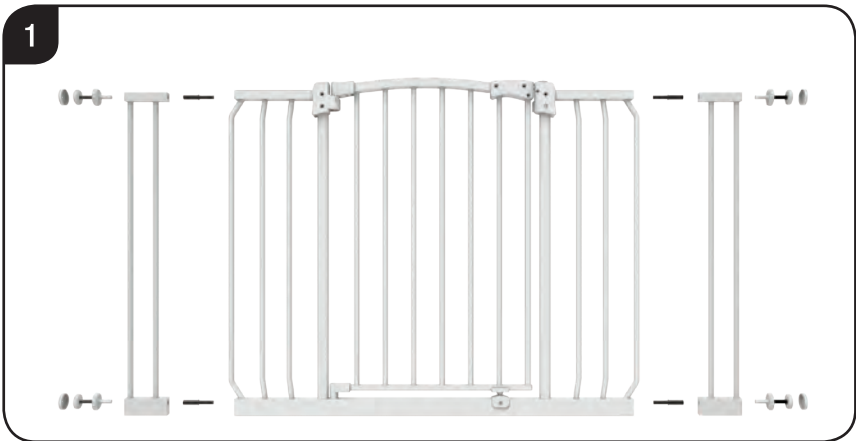
- WARNING** - Do not put any goods which can be grabbed by children or pets near this product to prevent injury.
- WARNING** - Before using this product, carefully inspect for any loose parts and whether any parts needs to be tightened.
- WARNING** - Make sure the product to be installed is horizontal and flat on the floor.
- WARNING** - This product is intended for use with children from 6 to 24 months or small to medium pets.
- WARNING** - Regularly check that the safety barrier is properly installed and secure.
- WARNING** - Any additional or replacement parts should be obtained from after sales support
- WARNING** - Barrier must be fitted between rigid surfaces such as plaster board, timber or hardwall.
- WARNING** - Always check that the safety barrier is correctly closed.
- WARNING** - Use only with the locking / latching mechanism securely engaged.
- WARNING** - This safety barrier is for domestic use only.
- WARNING** - This safety barrier has a manual closing system.

Installation

Important: Gate must be installed in a structurally sound opening. Ensure mounting surface (wall, door frame, stair posts, etc.) is strong, rigid and has an even surface.



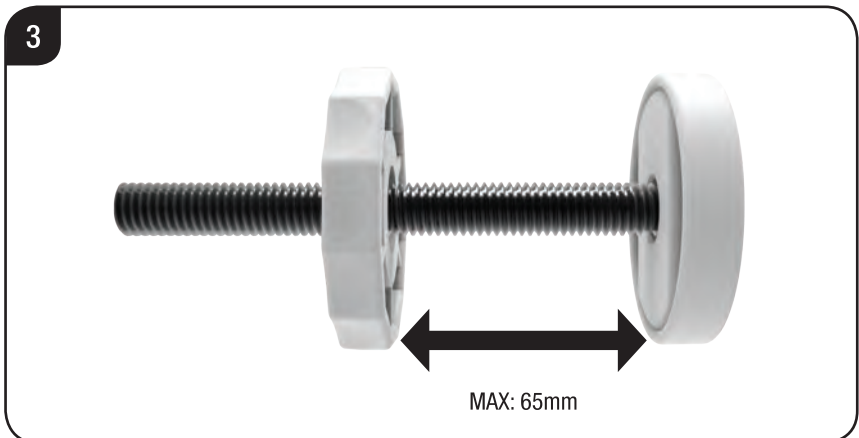
If using gate on a stairway, it must be placed either on the top step or on the lowest step at the bottom.



1. Measure the space to be enclosed, you may need to use extensions.
Only use one extension on each side of gate.



2. When you unpack the gate you may notice a gap at the door opening, this is normal with pressure mounted gates and the gap will disappear when it is installed correctly.

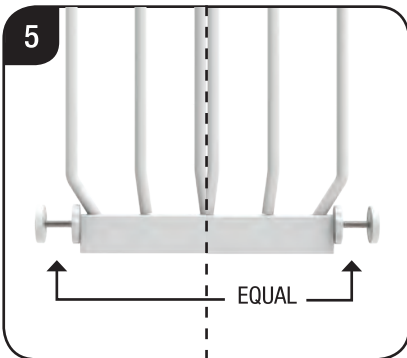


3. Screw adjuster bolts and screws together then place into mounting holes in each corner of gate. **Note: DO NOT EXTEND ADJUSTER BOLT FURTHER THAN 65mm.**

Extra Wide Safety Gate User Guide



4. Place the gate in opening and ensure the bottom rail is completely flat on the floor and the mounting cups are directly above each other, mark the position of each mounting cup, stick the cups in position with adhesive pads, for added security fix each cup to the wall using a small Phillips head screwdriver and the screws provided.



5. Align gate with mounting cups and tighten adjuster screws by turning clockwise start with the bottom adjuster screws then do the top. Tighten equally until there is only a 1mm gap in the locking mechanism. Regularly check tension of all mounting bolts and adjust if required.

Operation



To Open Gate

1. Using one hand place thumb on the button and grip gate with fingers.
2. Press button with thumb and squeeze index finger, then open gate in either direction, when released gate will swing closed automatically.

Always check gate is properly closed.

NOTE: GATE SHOULD ALWAYS BE IN THE LOCKED POSITION. IF GATE IS OPEN AND EXCESSIVE PRESSURE IS APPLIED, (SUCH AS STANDING OR SWING ON GATE) STRUCTURAL DAMAGE MAY OCCUR.

Cleaning Instructions

Use a soft damp cloth simply wipe gate, dry after cleaning. Do not use chemical or abrasive cleaners.

Warranty Certificate

Congratulations! You have made an excellent choice of this quality product. Our commitment to quality also includes our service. Should you, contrary to expectations, experience defects due to manufacturing faults, we will provide you with a warranty against defects as follows:

Warranty

The product is guaranteed to be free from defects in workmanship and parts for a period of 12 months from the date of purchase. Defects that occur within this warranty period, under normal use and care, will be repaired, replaced or refunded at our discretion.

You are entitled to a replacement or refund for a major failure and for compensation for any other reasonably foreseeable loss or damage. You are also entitled to have the goods repaired or replaced if the goods fail to be of acceptable quality and the failure does not amount to a major failure.

Proof of Purchase

This warranty is valid for the original purchase and is not transferable. Please keep your purchase docket, tax invoice or receipt as the best proof of purchase, and as proof of date on which the purchase was made.

Extent of Warranty

This warranty is limited to defects in workmanship or parts. All defective products or parts will be repaired or replaced. This warranty does not cover consumable items.

Normal Wear and Tear

This warranty does not cover normal wear and tear to the products or parts.

Exclusions

This warranty does not cover:

- Any defects caused by an accident, misuse, abuse, improper installation or operation, lack of reasonable care, unauthorized modification, loss of parts, tampering or attempted repair by a person not authorized by the distributor.
- Any product that has not been installed, operated or maintained in accordance with the manufacturer's operating instructions provided with the product.
- Any product that has been used for purposes other than domestic use.

To Make a Claim

If a defect in the goods appears within 12 months, you are entitled to claim a warranty. Please contact after sales support via the link below:

www.permachildsafety.com/contact

Please ensure that you have a copy of proof of purchase so that we are able to respond as quickly and efficiently as possible.