



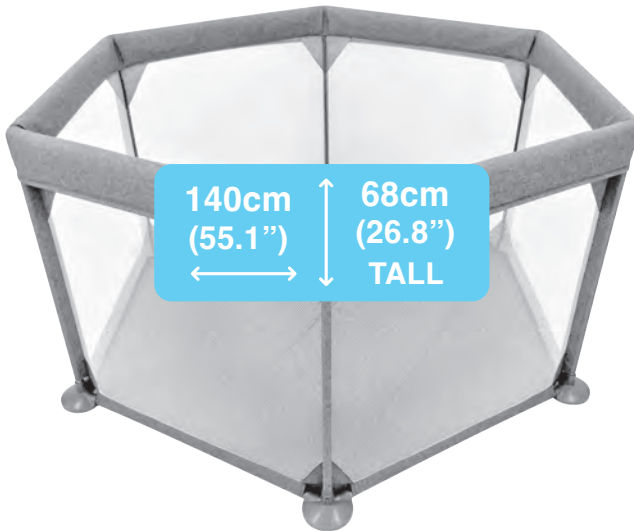
Proud  
Supporter



#3102

# Portable Playpen

INSTRUCTION MANUAL



**IMPORTANT! KEEP FOR FUTURE REFERENCE. READ AND FOLLOW THESE INSTRUCTIONS CAREFULLY.**

# TABLE OF CONTENTS

## **SAFETY INFORMATION**

General	03
Maintenance	03
Warnings	04-05

## **WHAT'S IN THE BOX**

Parts	06
-------	----

## **INSTALLATION**

Installation	07-08
--------------	-------

## **OPERATION**

Cleaning Instructions	09
-----------------------	----

## **SUPPORT**

Warranty Certificate	10
Warranty Card	11
After Sales Support	11

# SAFETY INFORMATION

## GENERAL

Please read this instruction manual carefully and keep it in a safe place for future reference.

The correct use and maintenance of this product is essential.

## MAINTENANCE

Always check parts regularly for tightness of joints and other fasteners. Tighten or replace if required. To maintain the safety of your Playpen, promptly repair bent, torn, worn or broken parts. Use only those parts and accessories approved by the original Manufacturer.



# WARNING

- Before assembling this Playpen, read and understand the instructions. Incorrect assembly may make the Playpen unsafe. (Keep the instructions safe for future reference. NEVER leave child unattended).
- Adult assembly required, always keep fingers clear of moving parts. Keep small parts away from children.
- This product has been designed and manufactured to comply with safety standard EN 12227:2010.
- DO NOT leave anything in the Playpen which could provide a foothold or create a danger of suffocation or strangulation.
- All assembly fittings should always be tightened properly.
- DO NOT use the Playpen if any part is broken, torn or missing and use only spare parts approved by the manufacturer.
- Only use accessories that are recommended by the manufacturer.
- Keep children away while assembling/disassembling the Playpen.
- DO NOT leave anything on the Playpen (such as toys) that provide a foothold.
- DO NOT place Playpen close to an open fire or other heat source.
- Keep the Playpen clear of trailing cables and hanging cords.
- Keep medication and small items that a child could choke on, away from the Playpen.
- DO NOT use the Playpen without the base.
- Ensure that the Playpen is fully erected and all the locking mechanisms engaged before placing your child in this Playpen. All assembly fittings should always be tightened properly and that fittings should be checked regularly and retightened as necessary.

# WARNING

- Before each use make sure that the Playpen is correctly assembled and that the locking devices are fully engaged.
- DO NOT use this Playpen if any part is broken, torn or missing.
- The play mat is specifically designed to fit your Playpen.
- Ensure that the child is unable to climb out of the Playpen. To prevent falls or injuries, collapse and discontinue use of the Playpen before the child can climb.
- Never leave your child unattended; always keep an eye on your child.
- After installation, make sure that the Playpen is secure and that all sides are audibly engaged or locked.
- DO NOT dismantle the Playpen when the child is in the Playpen.
- The Playpen Top rails must be completely locked, should be fully erected before use.
- Avoid overloading the Playpen. The Playpen is intended for use by only one child and with a weighs less than 15 kg. The Playpen is suitable for use with children up to 24 months of age. This product has been designed for use with children from 6 to 24 months or 89cm tall, whichever comes first.
- To prevent injury from falling, when the child is able to climb out of the Playpen, the Playpen shall no longer be used for that child.
- DO NOT use more than one mattress in the Playpen.
- Only use the mattress sold with this Playpen, do not add a second mattress on this one, suffocation hazards may occur if second mattress is added.
- This is a Playpen enclosure for your child not a sleeping device.
- Always use this Playpen on a flat level surface - A blanket or rug can be placed under the unit should it be positioned on a hard surface.
- When used outside please be aware of nature's elements; protect children from the sun and cold conditions that may present.

# WHAT'S IN THE BOX



**6 x** Lower Joint



**6 x** Upper Joint



**18 x** Tubes



**1 x** Fabric



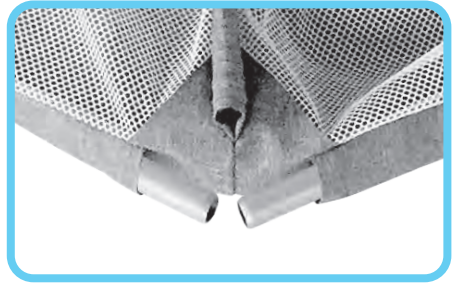
**1 x** Carry Bag

# INSTALLATION



## Step 1.

Lay the Fabric out flat on the floor.



## Step 2.

Start assembly at base by inserting 6 x Tubes through the sleeves on the bottom of the Fabric.



## Step 3.

Connect the bottom Tubes by inserting the ends of the Tubes into 6 x Lower Joints.



## Step 4.

Insert 6 x Tubes vertically through the sleeves on the sides of the Fabric. Insert the bottom of the Tube into the Lower joint and repeat for all slots.

# INSTALLATION



## Step 5.

Place the Upper Joints on the vertically assembled Tubes. Repeat this for the 6 vertically assembled Tubes.



## Step 6.

Connect Tubes on the top level by inserting the ends of the Tubes into 6 x Upper Joints. Repeat for the 6 corners.



## Step 7.

Place and wrap around upper fabric over the vertically assembled Tubes.



## Step 8.

Turn over the upper Fabric and cover the top Tubes. Secure velcro tab around Tube to keep in place.



## CLEANING INSTRUCTIONS



This product has been designed and developed with safety, comfort and functionality in mind.

To ensure long-lasting use of your Playpen, wipe down with a damp cloth and use a mild soap solution if necessary. Do not use abrasive cleaners. Always store product in a clean dry place.

## WARRANTY CERTIFICATE

Congratulations! You have made an excellent choice of this quality product. Our commitment to quality also includes our service. Should you, contrary to expectations, experience defects due to manufacturing faults, we will provide you with a warranty against defects as follows:

### WARRANTY

The product is guaranteed to be free from defects in workmanship and parts for a period of 12 months from the date of purchase. Defects that occur within this warranty period, under normal use and care, will be repaired, replaced or refunded at our discretion. The benefits conferred by this warranty are in addition to all rights and remedies in respect of the product that the consumer has under the Competition and Consumer Act 2010 and similar state and territory laws.

Our goods come with guarantees that cannot be excluded under the Australian Consumer Law. You are entitled to a replacement or refund for a major failure and for compensation for any other reasonably foreseeable loss or damage. You are also entitled to have the goods repaired or replaced if the goods fail to be of acceptable quality and the failure does not amount to a major failure.

### PROOF OF PURCHASE

This warranty is valid for the original purchase and is not transferable. Please keep your purchase docket, tax invoice or receipt as proof of purchase and date of which the purchase was made.

### EXTENT OF WARRANTY

This warranty is limited to defects in workmanship or parts. All defective products or parts will be repaired or replaced. This warranty does not cover consumable items.

### NORMAL WEAR AND TEAR

This warranty does not cover normal wear and tear to the products or parts.

### EXCLUSIONS

This warranty does not cover:

- Any defects caused by an accident, misuse, abuse, improper installation or operation, lack of reasonable care, unauthorised modification, loss of parts, tampering or attempted repair by a person not authorised by the distributor.
- Any product that has not been installed, operated or maintained in accordance with the manufacturer operating instructions provided with the product.
- Any product that has been used for purposes other than domestic use.

### TO MAKE A CLAIM

If a defect in the goods appears within 12 months, you are entitled to claim a warranty. Please contact after sales support via the link below:

[www.permachildsafety.com/contact-us](http://www.permachildsafety.com/contact-us)

Please ensure that you have a copy of proof of purchase so that we are able to respond as quickly and efficiently as possible.

## WARRANTY CARD

**DETAILS:**

**PRODUCT NAME:** Portable Playpen

**PRODUCT NUMBER:** 3102

**YOUR NAME:**

**ADDRESS:**

**PHONE:**

**EMAIL:**

**DATE OF PURCHASE:**

**LOCATION OF PURCHASE:**

---

We recommend that you keep a copy of your receipt, showing the date of purchase, with this warranty certificate and keep for your reference. In the event of a product fault, please contact after sales support. Ensure that you include the product details (as shown on this card) so that we are able to respond as quickly and efficiently as possible.

---



## AFTER HOURS SUPPORT



Scan the QR code for Live Chat Support  
or visit: [permachildsafety.com/contact-us](https://permachildsafety.com/contact-us)



Scan the QR code for Live Chat Support  
or visit: [permachildsafety.com/contact-us](https://permachildsafety.com/contact-us)



Perma Child Safety



@permachildsafety