



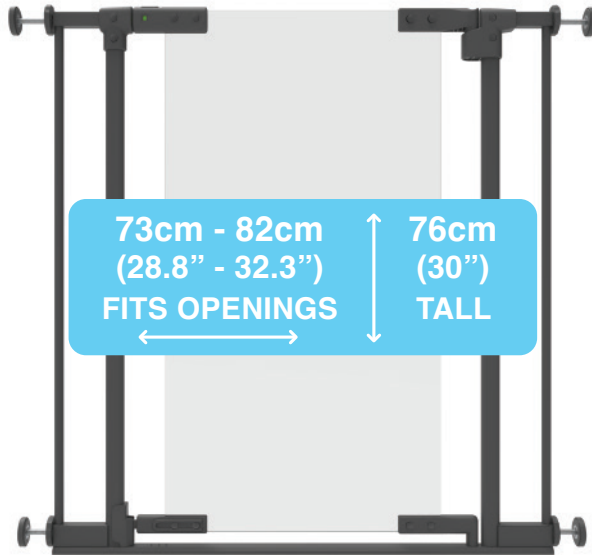
Proud
Supporter



Clear Ultimate Safety Gate

INSTRUCTION MANUAL

#2775 Warm Black



**IMPORTANT! READ AND FOLLOW
THESE INSTRUCTIONS
CAREFULLY AND KEEP
FOR FUTURE REFERENCE.**

TABLE OF CONTENTS

SAFETY INFORMATION

General	03
Maintenance	03
Warnings	04-05

WHAT'S IN THE BOX

Parts	06
-------	----

INSTALLATION

Gate Placement	07-08
Inside Opening or Doorway	09-11

OPERATION

How to Operate	12
Cleaning Instructions	13

SUPPORT

Warranty Certificate	14
Warranty Card	15
After Sales Support	15

SAFETY INFORMATION

GENERAL

Read this instruction manual carefully and keep it in a safe place for future reference.

The correct use and maintenance of this product is essential.

MAINTENANCE

Regularly check that the gate is functioning correctly, lubricate hinges and moving components. Tighten and adjust mounts to ensure secure smooth operation. Inspect all components regularly and stop using if any component is damaged or missing.

Refer to pages 12 & 13 for operation and cleaning instructions.



WARNING

- To prevent serious injury or death, securely install gate or enclosure and use according to manufacturer instructions.
- Incorrect installation can be dangerous.
- Do not use the safety barrier if any components are damaged or missing.
- The safety barrier must not be fitted across windows.
- Never install this product on glass doors. Install this product against reliable doors or walls.
- If the safety barrier is used at the top of the stairs, it should not be positioned below the top level.
- The minimum distance to the first step of the stairs is 25cm (10") when used at the top of stairs.
- If the safety barrier is used at the bottom of the stairs, it should be positioned at the front of the lowest tread possible.
- This safety barrier has an automatic closing system.
- Never leave child unattended when using this product.
- Children have died or been seriously injured when gates / enclosures are not securely installed.
- You MUST install wall cups to keep gate in place, without wall cups child can push out and escape.

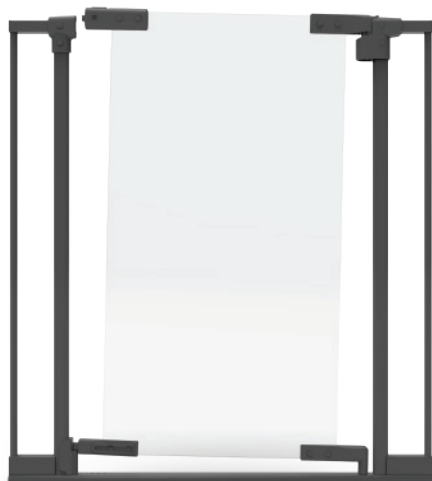


WARNING

- Always check that the safety barrier is correctly closed.
- Use only with the locking / latching mechanism securely engaged.
- Gate must be installed as close to the ground as possible, as per the installation guides.
- Never use with a child able to climb over or dislodge / open the gate or enclosure.
- Danger to older children if climbing over the product.
- Regularly check that the safety barrier is properly installed and secure.
- ALWAYS install and use gates / enclosures as directed, using all required parts. All parts should be obtained from after sales support.
- Barrier must be fitted between rigid surfaces such as plaster board, timber or hard wall.
- This product is intended for use with children from 6 to 24 months or small to medium pets from 4.5kg (10 lbs) up to 18kg (40 lbs).
- Do not put any goods which can be grabbed by children or pets near this product to prevent injury.
- Before using this product, carefully inspect for any loose parts and whether any parts need to be tightened.
- NEVER use to keep child away from pool.
- This safety barrier is for domestic use only.

WHAT'S IN THE BOX

PARTS



1 x Safety Gate



4 x Adjuster Screws



1 x Lower Catch Mount



1 x Swing Direction Control
Lower Catch



4 x Mounting Cups



4 x Adhesive Pads



4 x Adjuster Bolts



4 x Screws

Gate Placement

When the gate is unpacked, you may notice a gap at the door opening. This is normal with pressure mounted gates and the gap will disappear when it is installed correctly.



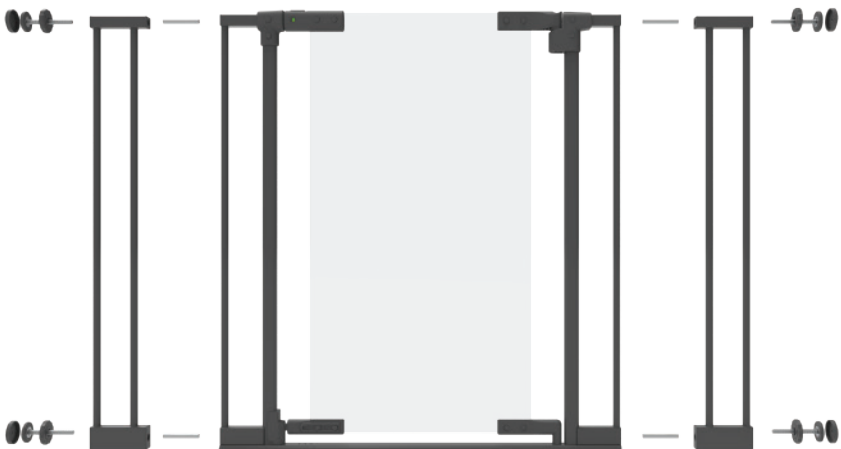
INSTALLATION

Gate Placement

Gate must be installed in a structurally sound opening. Ensure mounting surface (e.g. wall, door frame, stair way) is strong, rigid and has an even surface. Measure the space to be enclosed.

Gate extensions are available through our website.

Scan the QR Code to try our Gate Extension Calculator:



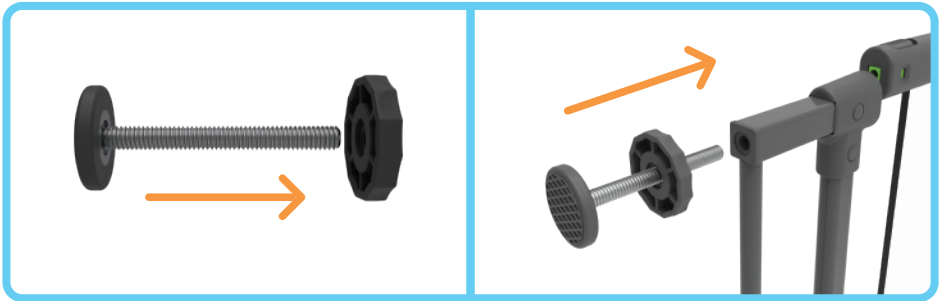
NOTE: Only use one extension on each side of gate.

INSTALLATION

Inside Opening or Doorway

Step 1.

Screw Adjuster Bolts and Screws together, then place into mounting holes in each corner of the gate.



Step 2.

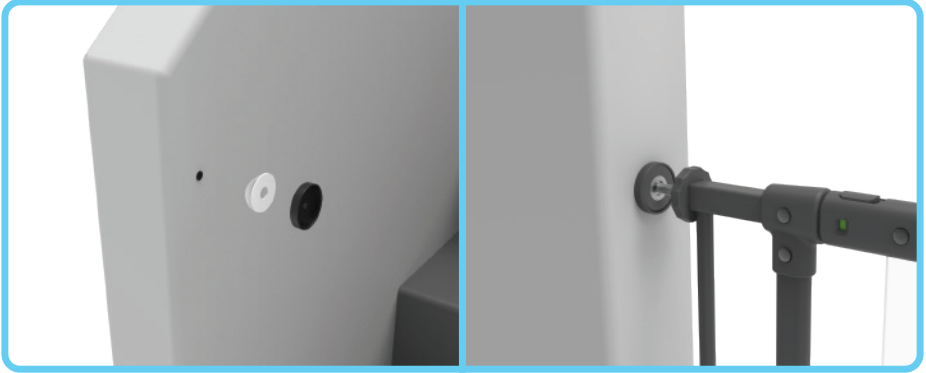
Place the gate in desired opening, ensure the bottom rail is completely flat on the floor and the Mounting Cups are aligned directly above each other, mark position of each Mounting Cup with a pencil.



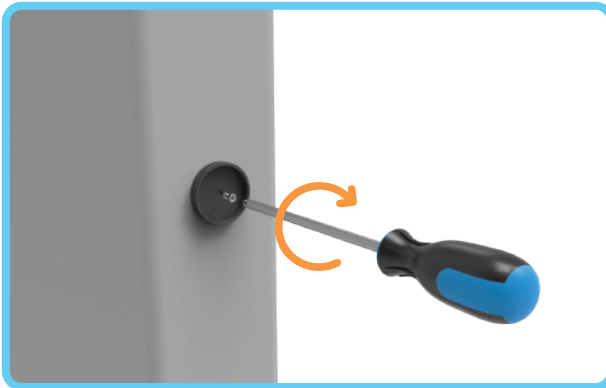
INSTALLATION

Step 3.

Stick the Mounting Cup in position with the Adhesive Pads and then place gate into position.



For added security, fix each cup to the wall using a small Phillips head screwdriver and the Screws provided.

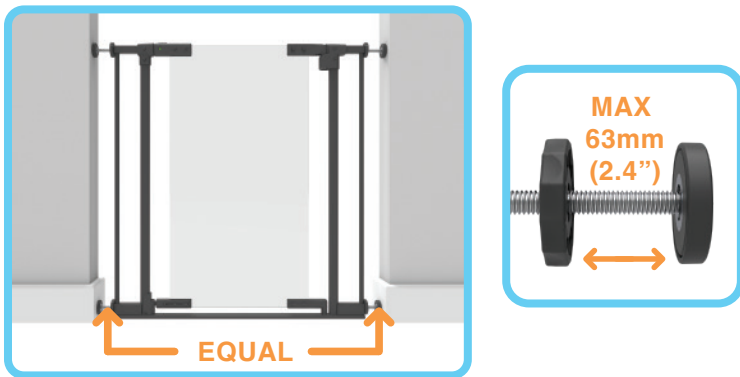


NOTE: This gate must only be fixed to a solid and secure surface. If unsure, check with a qualified builder or trades person that the installation you intend is suitable and safe in chosen location.

INSTALLATION

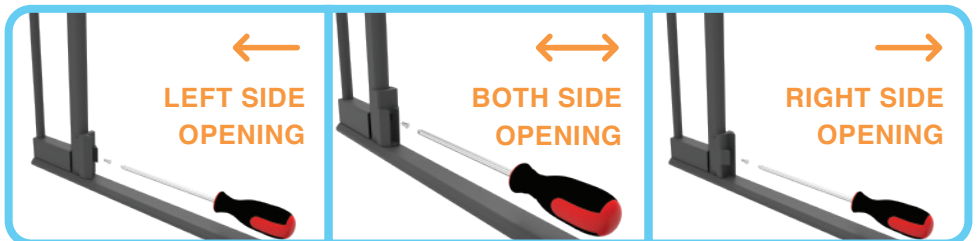
Step 4.

Align gate with Mounting Cups and tighten the Adjuster Screws by turning clockwise, start with the bottom Adjuster Screws then move to the top. Tighten equally until there is only a 1.5mm (0.5") gap in the locking mechanism. Regularly check tension of all Adjuster Bolts and tighten if necessary.



Step 5.

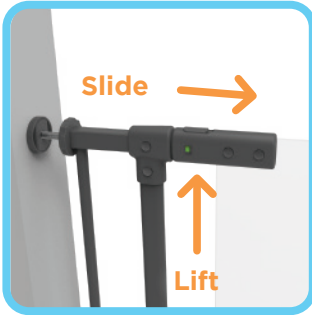
Determine which direction the gate should open. Screw in Swing Direction Control piece opposite to the desired opening direction. Use images below as a guide.



NOTE: For top of stairways, the gate should never open out over stairs.

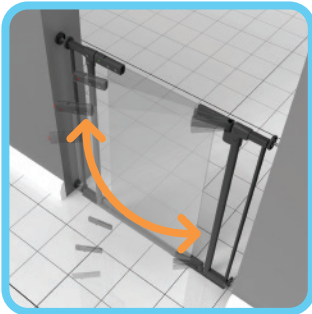
OPERATION

HOW TO OPEN



1.

Using one hand, place thumb on the button and grip Gate Panel with fingers. Slide button and lift Gate Panel.



2.

Open gate in either direction. When released gate will swing closed automatically.

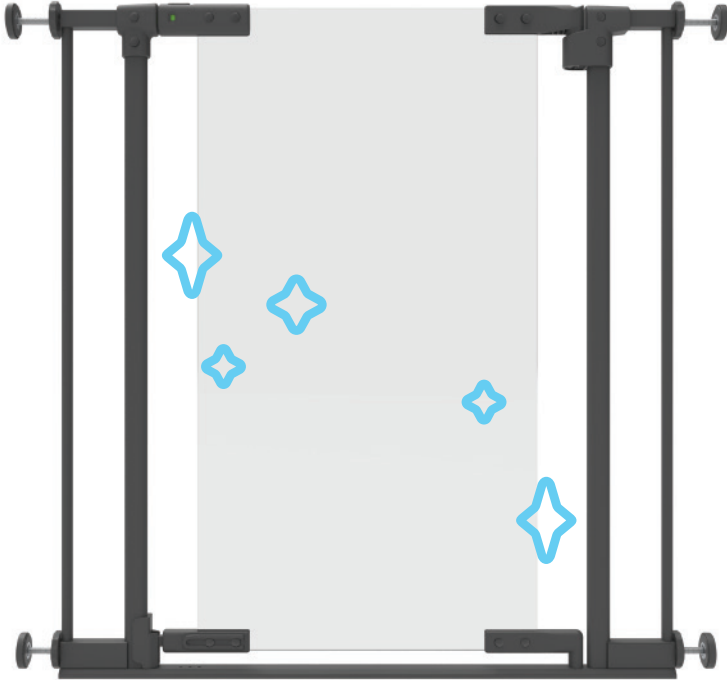


3.

To enable stay open feature, open gate to a 90° angle. The gate will not swing closed.

NOTE: Always check gate is properly closed and secure at all times.

CLEANING INSTRUCTIONS



Simply use a soft damp cloth to wipe gate, dry after cleaning. Do not use chemical or abrasive cleaners.

WARRANTY CERTIFICATE

Congratulations! You have made an excellent choice of this quality product. Our commitment to quality also includes our service. Should you, contrary to expectations, experience defects due to manufacturing faults, we will provide you with a warranty against defects as follows:

WARRANTY

The product is guaranteed to be free from defects in workmanship and parts for a period of 12 months from the date of purchase. Defects that occur within this warranty period, under normal use and care, will be repaired, replaced or refunded at our discretion. The benefits conferred by this warranty are in addition to all rights and remedies in respect of the product that the consumer has under the Competition and Consumer Act 2010 and similar state and territory laws.

Our goods come with guarantees that cannot be excluded under the Australian Consumer Law. You are entitled to a replacement or refund for a major failure and for compensation for any other reasonably foreseeable loss or damage. You are also entitled to have the goods repaired or replaced if the goods fail to be of acceptable quality and the failure does not amount to a major failure.

PROOF OF PURCHASE

This warranty is valid for the original purchase and is not transferable. Please keep your purchase docket, tax invoice or receipt as proof of purchase and date of which the purchase was made.

EXTENT OF WARRANTY

This warranty is limited to defects in workmanship or parts. All defective products or parts will be repaired or replaced. This warranty does not cover consumable items.

NORMAL WEAR AND TEAR

This warranty does not cover normal wear and tear to the products or parts.

EXCLUSIONS

This warranty does not cover:

- Any defects caused by an accident, misuse, abuse, improper installation or operation, lack of reasonable care, unauthorised modification, loss of parts, tampering or attempted repair by a person not authorised by the distributor.
- Any product that has not been installed operated or maintained in accordance with the manufacturer operating instructions provided with the product.
- Any product that has been used for purposes other than domestic use.

TO MAKE A CLAIM

If a defect in the goods appears within 12 months, you are entitled to claim a warranty. Please contact after sales support via the link below:

www.permachildsafety.com/contact-us

Please ensure that you have a copy of proof of purchase so that we are able to respond as quickly and efficiently as possible.

WARRANTY CARD

DETAILS:

PRODUCT NAME: Clear Ultimate Safety Gate

PRODUCT NUMBER: Warm Black 2775

YOUR NAME:

ADDRESS:

PHONE:

EMAIL:

DATE OF PURCHASE:

LOCATION OF PURCHASE:

We recommend that you keep a copy of your receipt, showing the date of purchase, with this warranty certificate and keep for your reference. In the event of a product fault, please contact after sales support. Ensure that you include the product details (as shown on this card) so that we are able to respond as quickly and efficiently as possible.



AFTER HOURS SUPPORT



Scan the QR code for Live Chat Support
or visit: permachildsafety.com/contact-us



Scan the QR code for Live Chat Support
or visit: permachildsafety.com/contact-us



Perma Child Safety



@permachildsafety