



Proud
Supporter



#2748 White

Extra Wide Barrier

INSTRUCTION MANUAL

73cm - 194cm
(28.8" - 76.38")
FITS OPENINGS
75cm
(29.5")
TALL



**IMPORTANT! READ AND FOLLOW
THESE INSTRUCTIONS
CAREFULLY AND KEEP
FOR FUTURE REFERENCE.**

This product complies with safety standard EN12227:2010

TABLE OF CONTENTS

SAFETY INFORMATION

General	03
Maintenance	03
Warnings	04-05
Mountings / Tools Required	06-07

WHAT'S IN THE BOX

Parts	08-09
-------	-------

INSTALLATION

Barrier Placement & Configuration	10
Underside Bracket Wall Assembly	11-13
Topside Bracket Wall Assembly	14
To Add / To Remove Panels	15
Spare Parts & Accessories	16
Optional Extensions (Playpen/ Play Mat)	16
Playpen Assembly	17

OPERATION

How to Open	18
Cleaning Instructions	19

SUPPORT

Warranty Certificate	20
Warranty Card	21
After Sales Support	21

SAFETY INFORMATION

GENERAL

Read this instruction manual carefully and keep it in a safe place for future reference.

The correct use and maintenance of this product is essential.

MAINTENANCE

Regularly check that the product is functioning correctly, lubricate hinges and moving components. Tighten and adjust mounts to ensure secure smooth operation. Inspect all components regularly and stop using if any component is damaged or missing.

Refer to pages 18 & 19 for operation and cleaning instructions.



WARNING

- To prevent serious injury or death, securely install gate or enclosure and use according to manufacturer's instructions.
- Incorrect installation can be dangerous.
- Danger to older children if climbing over the barrier.
- Do not use the safety barrier if any components are damaged, missing or disassembled.
- This safety barrier must not be fitted across windows.
- Never install this product on glass doors or windows. Install this product against reliable doors or walls.
- If the safety barrier is used at the top of the stairs, it should not be positioned below the top level.
- If the safety barrier is used at the bottom of the stairs, it should be positioned at the front of the lowest tread possible.
- This safety barrier is for domestic use only.
- This safety barrier has a manual closing system.
- Never leave child unattended when using this product.
- Make sure the product to be installed is horizontal and flat on the floor.



WARNING

- This safety barrier has a 'stay open' feature.
- Always check that the safety barrier is correctly closed.
- Use only with the locking/latching mechanism securely engaged.
- Never use with a child able to climb over or dislodge/ open the gate or enclosure.
- Regularly check that the safety barrier is properly installed and secured.
- Any additional or replacement parts should be obtained from after sales support.
- Barrier must be fitted between rigid surfaces such as plaster board, timber or hard wall.
- This product is intended for use with children from 6 to 24 months or small to medium pets from 4.5kg (10 lbs) up to 18kg (40 lbs).
- Do not put any goods which can be grabbed by children or pets near this product to prevent injury.
- Before using this product, carefully inspect for any loose parts and whether any parts need to be tightened.
- NEVER use to keep child away from pool.

SAFETY INFORMATION

MOUNTINGS

Gate must be installed in a structurally sound opening. Ensure mounting surface (wall, door, stair posts, etc.) is strong, rigid and has an even surface.

Note: If the safety barrier is used at the top of the stairs, it should not be positioned below the top level. If the safety barrier is used at the bottom of the stairs, it should be positioned at the front of the lowest tread possible.

This gate must only be fixed to a solid and secure surface. If unsure, check with a qualified builder or trades person that the installation you intend is suitable and safe within the chosen location.

TOOLS REQUIRED



PENCIL



PHILLIPS HEAD
SCREW DRIVER



DRILL

SAFETY INFORMATION

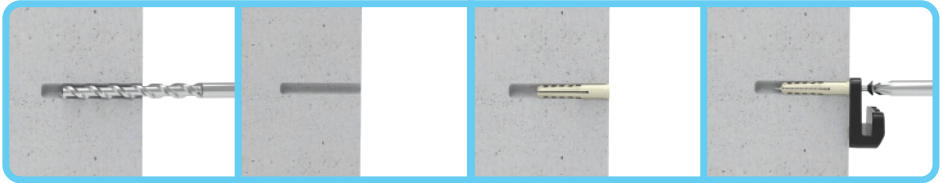
Select the appropriate fixing method from the list below.

HARD WALL MOUNTING BRICK / CONCRETE



FOR INSTALLATION

Wood Screws
Anchor



1. Drill 5mm (3/16")
Pilot Hole

2. Clear Hole

3. Insert Anchor & Tap

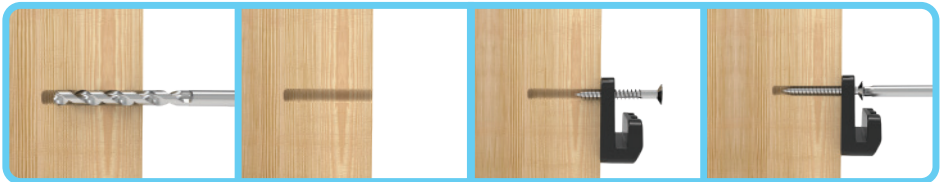
4. Tighten slowly

WOOD MOUNTING



FOR INSTALLATION

Wood Screws



1. Drill 2mm (5/65")
Pilot Hole

2. Clear Hole

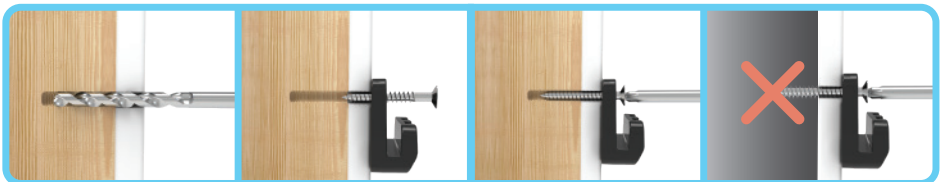
3. Insert Screw

4. Tighten slowly

DRY WALL MOUNTING

Locate the wood stud and follow the wood mounting instructions.

Do not mount into dry wall without additional support.



1. Drill 2mm (3/32")
Pilot Hole

2. Insert Screw

3. Tighten slowly

Do not mount without
additional support

WHAT'S IN THE BOX

PARTS

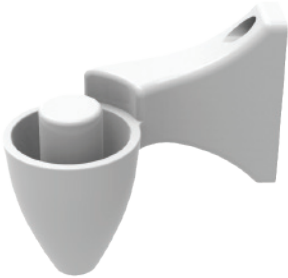


2 x Barrier Panels



1 x Gate Panel

WHAT'S IN THE BOX



1 x Top Underside
Wall Bracket



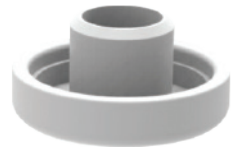
1 x Top Topside
Wall Bracket



2 x Lower
Wall Bracket



1 x Top Cap



1 x Bottom Cap



8 x Anchors



8x 25mm (1")
Screws

4 x Corner Tubes

If any parts are missing do not attempt to use your Extra Wide Barrier. Please contact after sales support to obtain replacements. Only use parts supplied by the manufacturer with this product. Refer to page 21 for contact details.

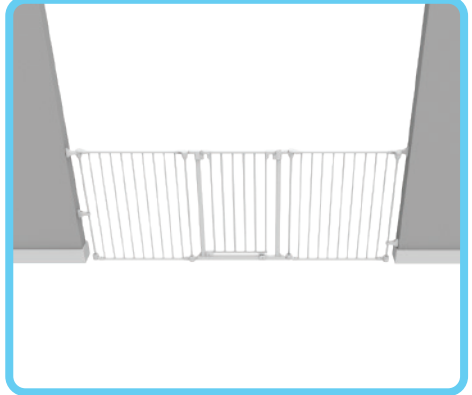
INSTALLATION

Barrier Placement & Configuration

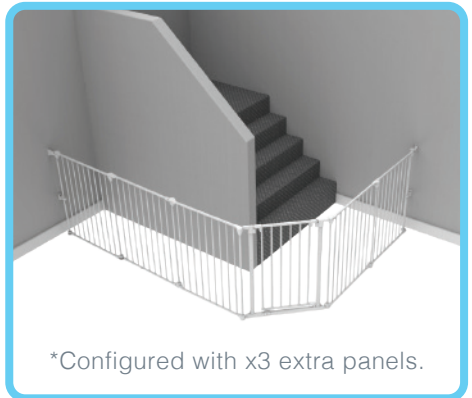
Suitable placement & configurations of Playpen/Barrier



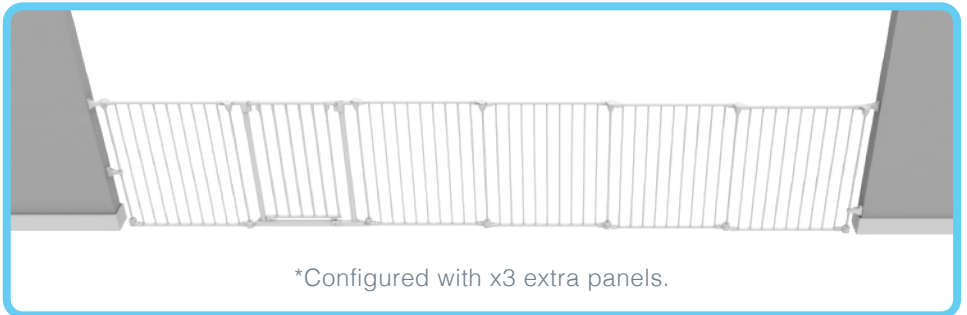
CAUTION: Install Barrier a minimum of 60cm (25.5") away from fireplace.



*Playpen Configuration



*Configured with x3 extra panels.

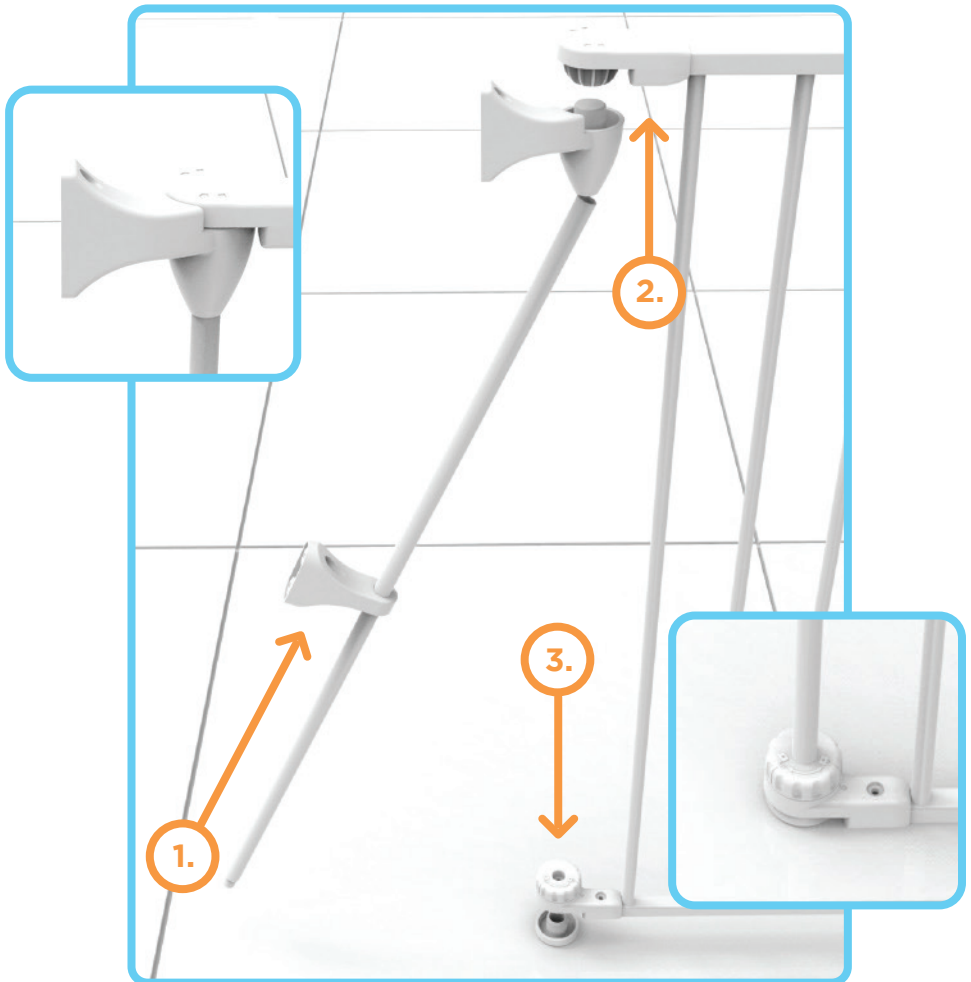


*Configured with x3 extra panels.

INSTALLATION

Step 1. Underside Bracket Wall Assembly

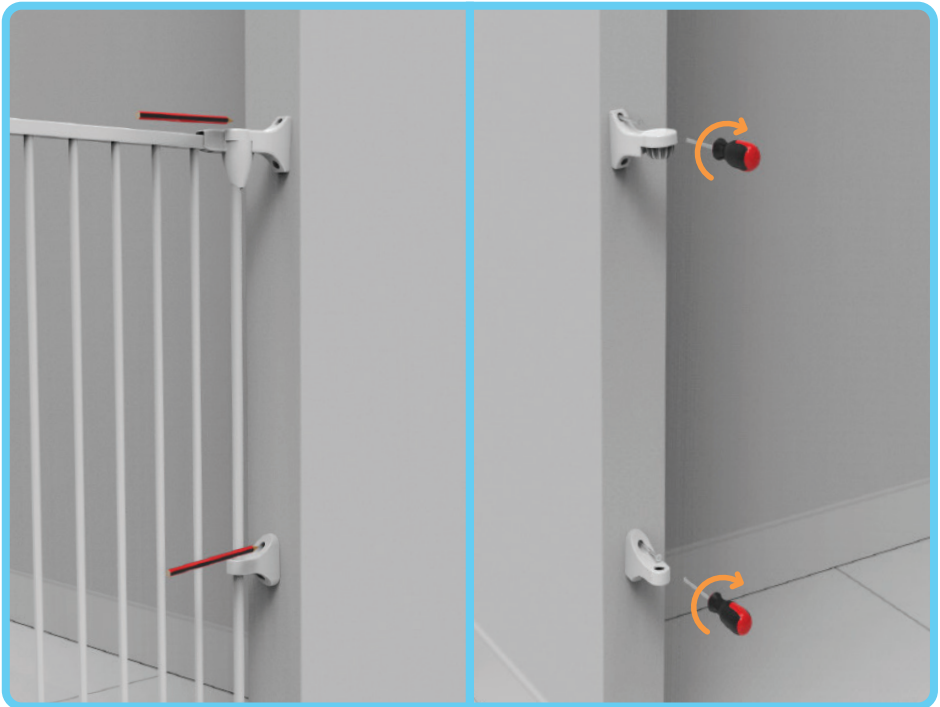
Place the Lower Wall Bracket over Corner Tube and put the Corner Tube into the Top Underside Wall Bracket. Put the Top Underside Wall Bracket into the top of the Barrier Panel and the bottom of the Corner Tube into the Top Cap on the bottom of the Barrier Panel, then into the Bottom Cap.



INSTALLATION

Step 2.

Mark screw hole positions for the Top Underside Wall Bracket and Lower Wall Bracket. Disassemble Corner Tube and Barrier Panel from Top Underside Wall Bracket and Lower Wall Bracket. Screw in Top Underside Wall Bracket and Lower Wall Bracket.

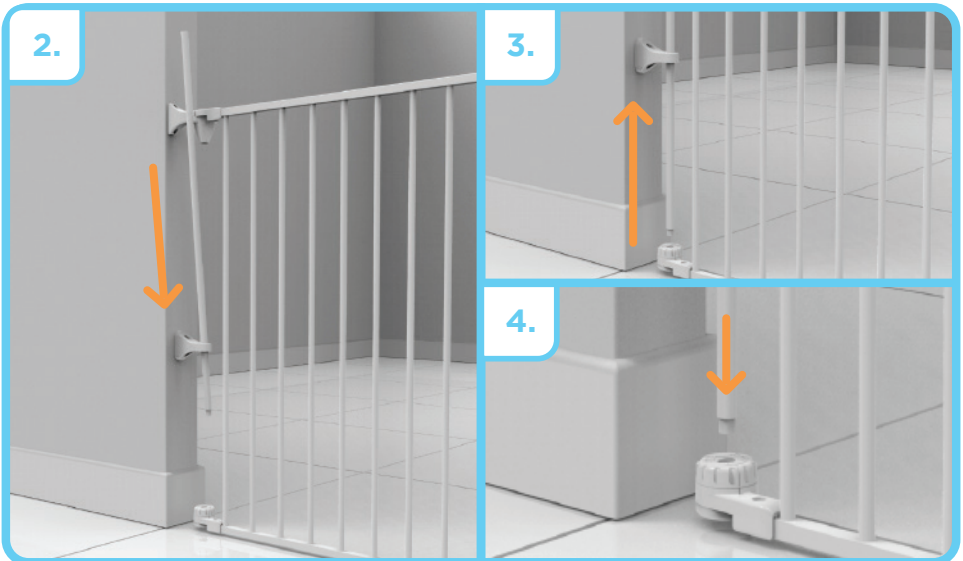
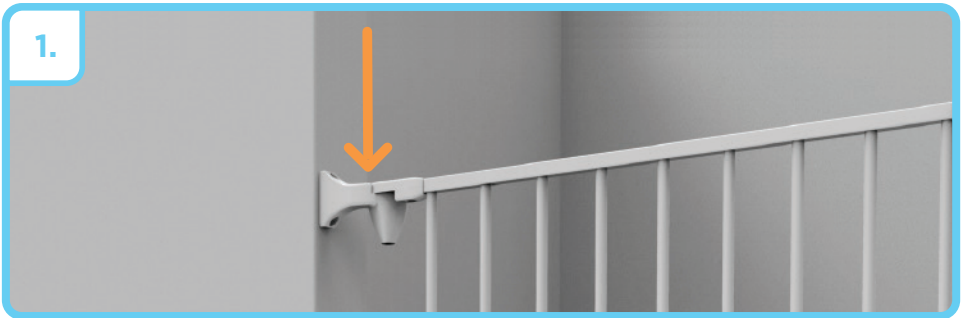


NOTE: Install Wall Brackets on an even surface to ensure Playpen/ Barrier is secure.

INSTALLATION

Step 3.

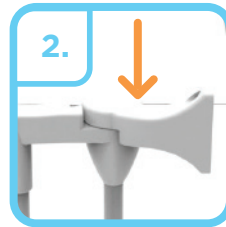
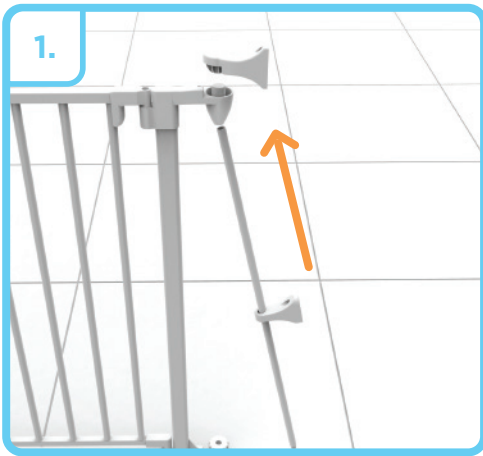
Reassemble Barrier Panel by connecting to the Top Underside Wall Bracket. Place Corner Tube through the Lower Wall Bracket, pull Corner Tube up and slide into the Top Underside Wall Bracket. Then place Corner Tube down into the Top Cap on the bottom of the Barrier Panel.



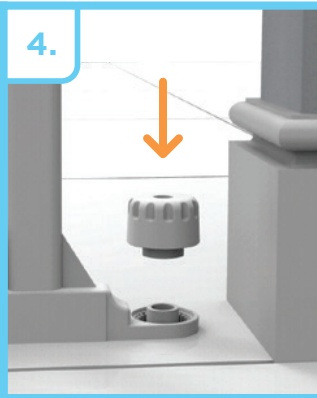
INSTALLATION

Step 4. Topside Bracket Wall Assembly

Place the Lower Wall Bracket over Corner Tube and slide Corner Tube up into the Barrier Panel and then into the Top Topside Wall Bracket. Follow Step 2 from Page 12 to mark position. Then reassemble and put the Top Cap on the bottom of the Barrier Panel and slide Corner Tube down into the Top Cap.



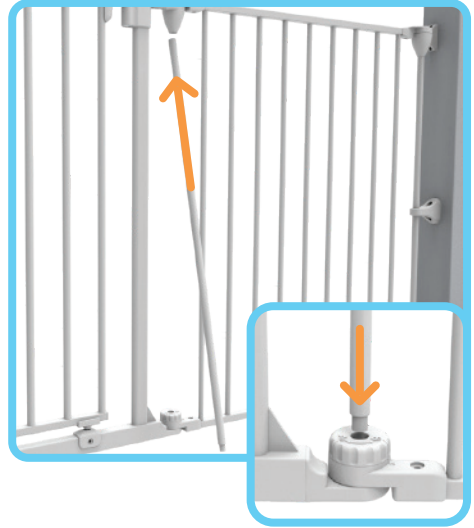
NOTE: Follow Step 2 from Page 12 to mark position of wall brackets before proceeding below.



INSTALLATION

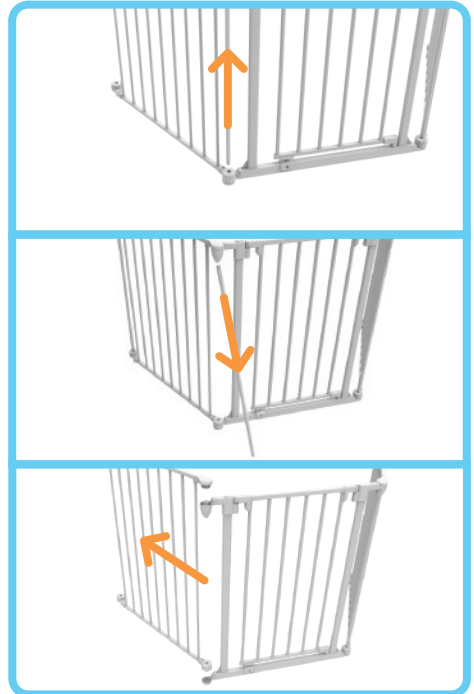
To Add Extra Panels

Align opposite ends of panels, place the Corner Tube into the top hole first, then pull the Corner Tube up and place the bottom of the Corner Tube into the Top Cap hole on the bottom of the Barrier Panel.



To Remove Panels

Turn base knob to unlocked position. Pull up the Corner Tube and slide the bottom of the Corner Tube out from the base. Once the Corner Tube is removed, you can lift and remove the unwanted panel.



Spare Parts & Accessories

Scan the QR Code to view the full range of Spare Parts & Accessories including; Additional Panels, Additional Gates, Stability Clips and Wall Mounting Sets.

Optional Extension - Playpen

For larger openings, join with the #2747 3-In-1 Playpen/Barrier to extend the barrier by an additional 6 panels (Including x1 gate).

See next page for playpen installation instructions.

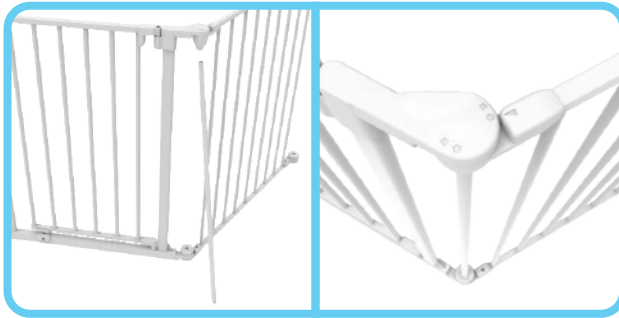
Safety Play Mat

Note: A safety play mat is required if playpen is used with children. The play mat is sold separately, contact after sales support for more details.

INSTALLATION

Playpen Assembly

1. Align the Gate Panel and Barrier Panel together. Place the Corner Tube into the top hole first, then pull the Corner Tube up and place the bottom of the Corner Tube into the Top Cap hole on the bottom of the Barrier Panel. Align arrow with hexagon icon.

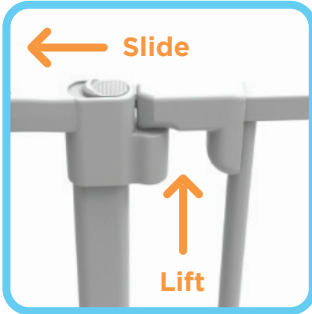


2. Repeat previous step with remaining Panels and Corner Tubes until all sides are connected, then turn base knob and align lock icon with dot on panel to unlock.



OPERATION

HOW TO OPEN



1.

Using one hand, place thumb on the button and grip Gate Panel with fingers. Slide button and lift Gate Panel.



2.

Open gate in either direction. When released gate will swing closed automatically.



3.

To enable stay open feature, open gate to a 90° angle.

NOTE: Always check gate is properly closed and secure at all times.

CLEANING INSTRUCTIONS



Simply use a soft damp cloth to wipe Playpen/Barrier, dry after cleaning. Do not use chemical or abrasive cleaners.

WARRANTY CERTIFICATE

Congratulations! You have made an excellent choice of this quality product. Our commitment to quality also includes our service. Should you, contrary to expectations, experience defects due to manufacturing faults, we will provide you with a warranty against defects as follows:

WARRANTY

The product is guaranteed to be free from defects in workmanship and parts for a period of 12 months from the date of purchase. Defects that occur within this warranty period, under normal use and care, will be repaired, replaced or refunded at our discretion. The benefits conferred by this warranty are in addition to all rights and remedies in respect of the product that the consumer has under the Competition and Consumer Act 2010 and similar state and territory laws.

Our goods come with guarantees that cannot be excluded under the Australian Consumer Law. You are entitled to a replacement or refund for a major failure and for compensation for any other reasonably foreseeable loss or damage. You are also entitled to have the goods repaired or replaced if the goods fail to be of acceptable quality and the failure does not amount to a major failure.

PROOF OF PURCHASE

This warranty is valid for the original purchase and is not transferable. Please keep your purchase docket, tax invoice or receipt as proof of purchase and date of which the purchase was made.

EXTENT OF WARRANTY

This warranty is limited to defects in workmanship or parts. All defective products or parts will be repaired or replaced. This warranty does not cover consumable items.

NORMAL WEAR AND TEAR

This warranty does not cover normal wear and tear to the products or parts.

EXCLUSIONS

This warranty does not cover:

- Any defects caused by an accident, misuse, abuse, improper installation or operation, lack of reasonable care, unauthorised modification, loss of parts, tampering or attempted repair by a person not authorised by the distributor.
- Any product that has not been installed operated or maintained in accordance with the manufacturer operating instructions provided with the product.
- Any product that has been used for purposes other than domestic use.

TO MAKE A CLAIM

If a defect in the goods appears within 12 months, you are entitled to claim a warranty. Please contact after sales support via the link below:

www.permachildsafety.com/contact-us

Please ensure that you have a copy of proof of purchase so that we are able to respond as quickly and efficiently as possible.

WARRANTY CARD

DETAILS:

PRODUCT NAME: Extra Wide Barrier

PRODUCT NUMBER: White 2748

YOUR NAME:

ADDRESS:

PHONE:

EMAIL:

DATE OF PURCHASE:

LOCATION OF PURCHASE:

We recommend that you keep a copy of your receipt, showing the date of purchase, with this warranty certificate and keep for your reference. In the event of a product fault, please contact after sales support. Ensure that you include the product details (as shown on this card) so that we are able to respond as quickly and efficiently as possible.



AFTER HOURS SUPPORT



Scan the QR code for Live Chat Support or visit: permachildsafety.com/contact-us



Scan the QR code for Live Chat Support
or visit: permachildsafety.com/contact-us



Perma Child Safety



@permachildsafety