

FOR SALES INQUIRIES, PLEASE EMAIL: SALES@VOGACOFFEE.COM

GROUND CONTROL[®] CYCLOPS[™] SPEC SHEET

QUALITY

- Consistently brews world-class coffee that is smooth, sweet and nuanced
- Quality exceeds pour-over and other single cup methods in side-by-side tastings
- Memorable design and aesthetic will engage new customers
- Innovative temperature profiling allows you to change temperature across brew cycles, resulting in unparalleled precision
- Each unit is hand-assembled by artisan craftsmen in the USA, and can be customized to your needs

RELIABILITY

- System design has been refined over two years and tested across more than thirty different environments and settings
- Easy cleaning and servicing

CONTROL

- Brew workflow is identical to familiar drip brewers, using standard paper filters (metal available)
- Flow meters ensure consistent volume across batches
- Intuitive touchscreen lets you precisely program recipes for up to 40 different coffees
- Brews from 1 liter to 1 gallon in a single batch
- Single device capable of brewing brewed coffee, iced coffee, Americano-style coffee, and tea

CUTTING EDGE

- Patent-pending multi-cycle brewing process provides best-in-class extraction efficiency
- Innovative stirring technology agitates grounds during brew for optimal extraction
- No-showerhead design significantly reduces scale buildup

WATER SPECS

Water Inlet	Min. Flow Rate	Water Pressure	Empty Weight	Filled Weight
3/8" Push-To-Connect	1.5 gpm [5.7 lpm]	20-75 psi [138-517kPa]	140 lbs [45 kg]	160 lbs [73 kg]

WEIGHT

ELECTRICAL CONFIGURATION

Heater Configuration	Voltage	Phase	Wires	KW	Electrical Connection	Max Amp Draw	Gallons [Liters] / Hr
1 x 1.5 kw	120V/20A	1	3+G	1.8	Terminal Block	14.7	2 [7.6]
1 x 3.0 kw	240V/20A	1	3+G	3.4	Terminal Block	15.8	5.5 [20.8]
1 X 5 kw	240V/30A	1	3+G	5.4	Terminal Block	24.2	8 [30.3]

CUPS PER HOUR

8 oz	12 oz	16 oz	20 oz
128 Cups	85 Cups	64 Cups	51 Cups

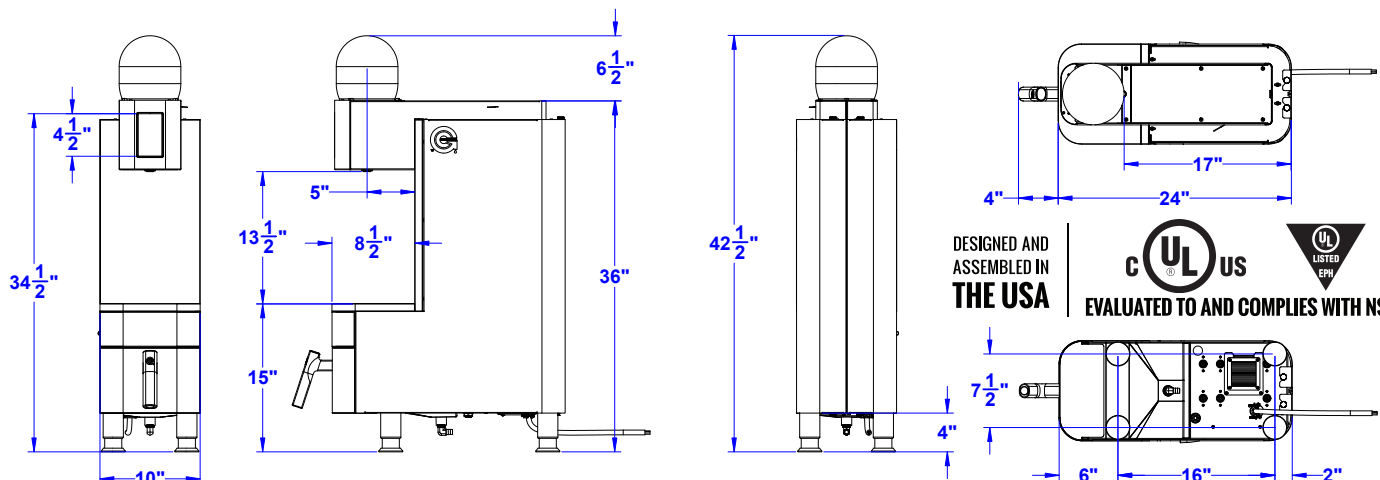
PAPER COFFEE FILTERS

13x5

DRAINAGE REQUIREMENT

Floor Drain

MEASUREMENTS



VOGACOFFEE.COM

DESIGNED AND ASSEMBLED IN THE USA



EVALUATED TO AND COMPLIES WITH NSF 4