

SEIT  
QUALITÄT



1896  
PRÄZISION

SCHILD

*Heinrich*

- MULTIFUNCTION -  
S W I S S

LIMITED EDITION

INSTRUCTION  
MANUAL





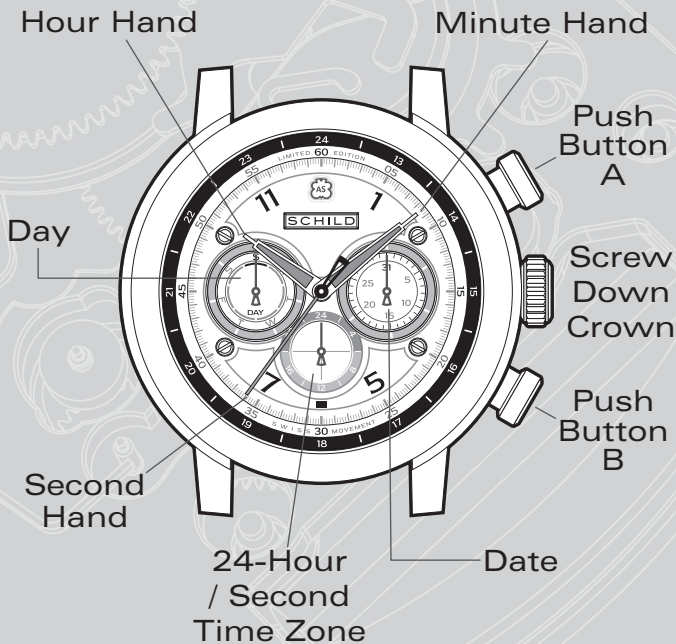
SCHILD



# SWISS MULTIFUNCTION MOVEMENT

This Limited Edition timepiece is equipped with a unique multi-function calendar feature with a second time zone read out and a quick adjust date display feature.

# A) DISPLAY

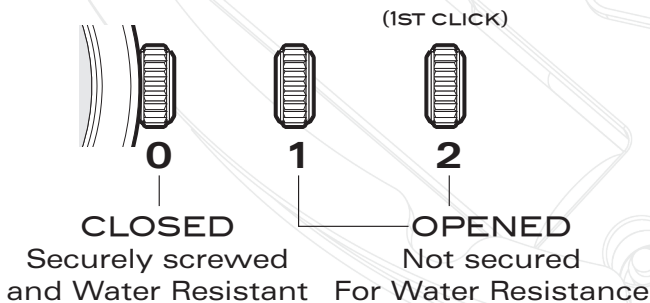


## B) PLEASE READ THE FOLLOWING BEFORE UNSCREWING THE CROWN

### SCREW-DOWN CROWN

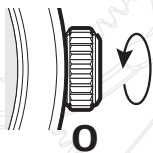
Screw-down crowns are used to ensure water resistance. **ALWAYS** be certain that your crown is securely screwed down ( Position [0] is secured. Positions [1] and [2] are not secured for water resistance ).

**Do not** unscrew your crown while you are in any environment where moisture is present.



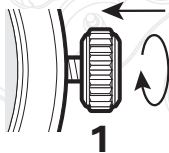
## C) USING THE SCREW-DOWN CROWN

**Do not** pull the crown unless it is **UNSCREWED** first:



**TO UNSCREW:** Turn the crown anti-clockwise until it turns freely without tension.

GENTLY pull the crown out to the other desired positions for watch setting.

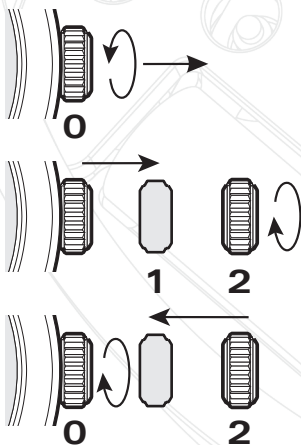


**TO SCREW:** Push the crown **ALL THE WAY IN** (towards the watch) THEN begin to turn clockwise until it is securely screwed down.

**NOTE:** Failure to **SECURELY** screw down the crown after setting the watch may affect its water resistance.

## D ) TIME SETTING

1. Unscrew the crown and pull it out to position [2]-(1st click).
2. Turn the crown clockwise to set the hour, minute and 24-hour hands to the desired time.
3. Push the crown in then screw it securely.

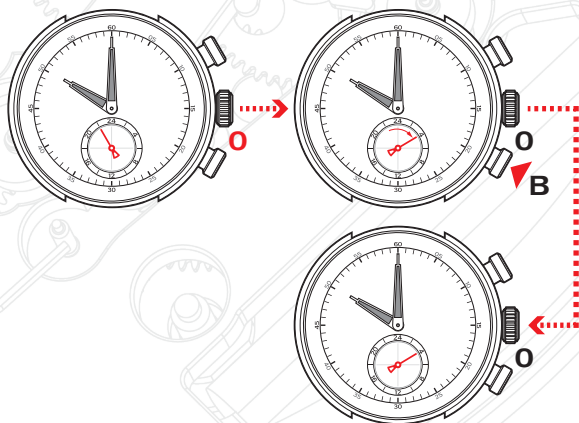


- \* Take a.m./p.m. into consideration when setting the hour and minute hands to the desired time.
- \* Always be certain that your crown is **SECURELY SCREWED**; this will prevent moisture from entering in.



## E ) SECOND TIME ZONE SETTING

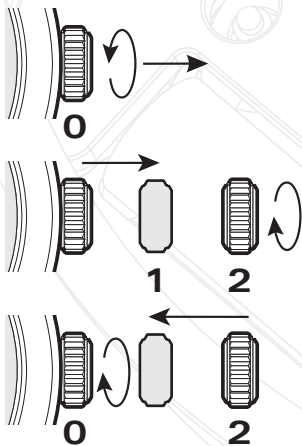
1. When the crown in position [0] or [1].
2. Press B button step-by-step to advance the hour hand of the second time zone until the desired time is set.
3. Stop pressing the button after finished the setting.



\* When using push button B to set the second time zone hour, the centre minute hand must be set to between 55th minute and 05th minute at any hour.

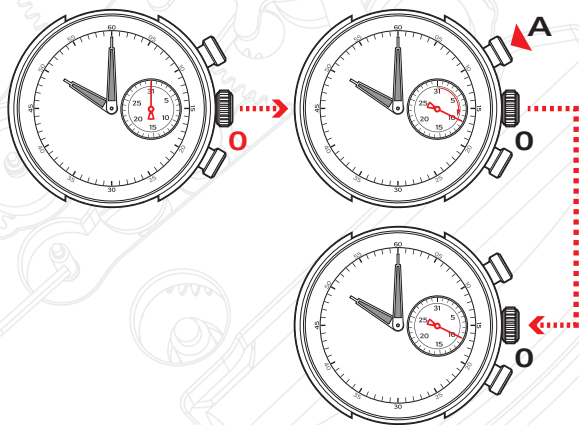
## F) DATE SETTING

1. Unscrew the crown and pull it out to position [2]-(1st click).
2. Turn the crown clockwise to set the correct date.
3. Push the crown in then screw it securely.



# QUICK ADJUST OF DATE

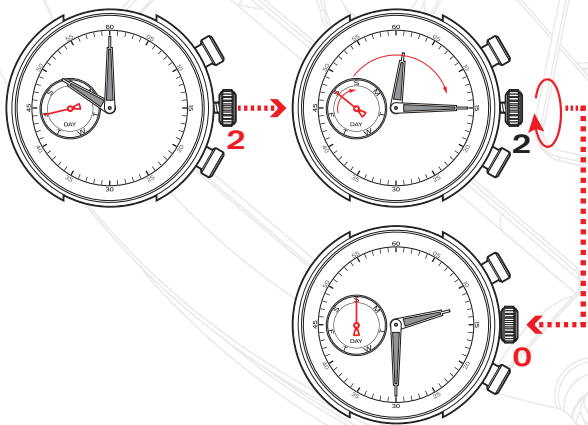
1. When the crown in position [0] or [1].
2. Press A button step-by-step to advance the date until the desired date is set.
3. Stop pressing the button after finished the setting.



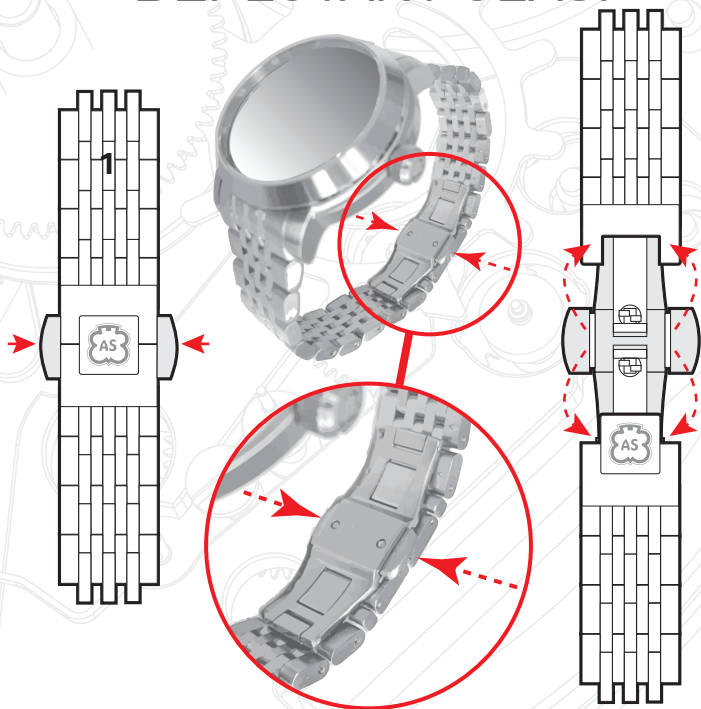
\* The date advances at 00:00 midnight, not 12:00 noon.

## G) DAY SETTING

1. Unscrew the crown and pull it out to position [2]-(1st click).
2. Turn the crown clockwise to advance the day hand until the desired day is set. The day hand will advance one day when 04:00 in the morning is reached.
3. Push the crown in then screw it securely.

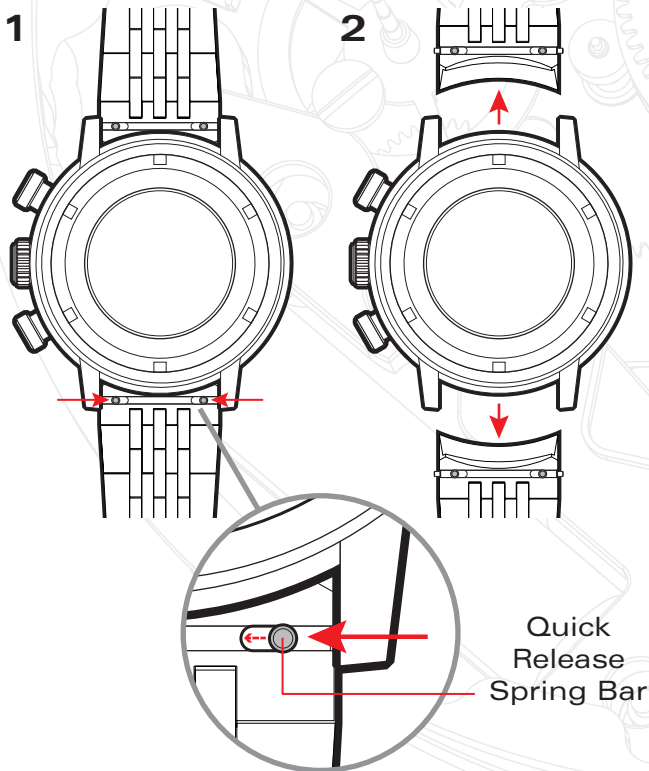


## H) HOW TO USE A DUAL DEPLOYANT CLASP

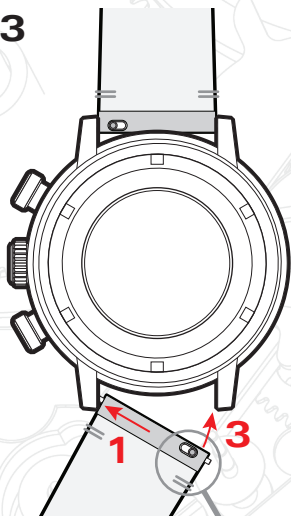


1. Press the buttons on both sides of the clasp.
2. The Buckle will release and open.

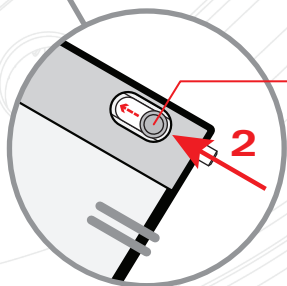
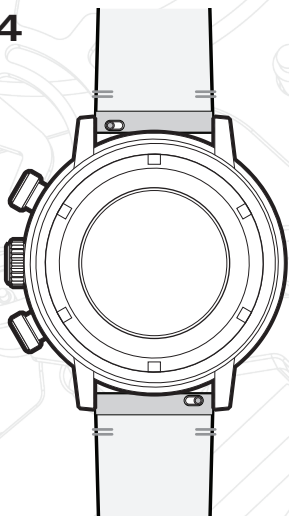
# I) HOW TO CHANGE THE BRACELET TO STRAP



3



4



Quick  
Release  
Spring Bar

# CARE & MAINTENANCE

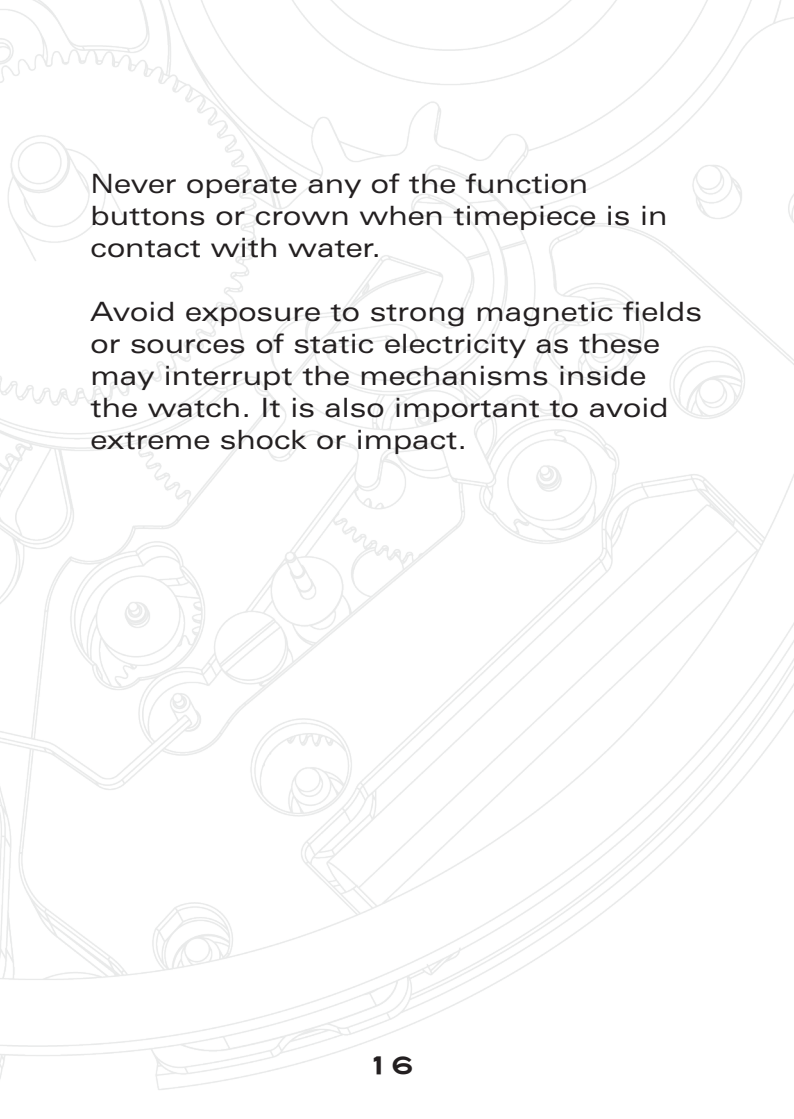
Each **SCHILD** timepiece is designed and manufactured to exceed the highest of standards. In order to ensure optimal performance and longevity from your timepiece, please review the simple guidelines for care and maintenance of your new **SCHILD** timepiece.

Your timepiece should be cleaned with a soft cloth and water only. Do not submerge your timepiece. Your timepiece should be rinsed clean and dried with a soft cloth after any saltwater use.

We advise having your timepiece serviced every 3 or 4 years to ensure long use and trouble free operation.

While your **SCHILD** timepiece has been designed and built to exacting specification, it is important to avoid the following conditions: extreme heat or cold, as well as prolonged periods of exposure to direct sunlight, exposure to wet conditions that exceed your timepiece's water rating (see case back).





Never operate any of the function buttons or crown when timepiece is in contact with water.

Avoid exposure to strong magnetic fields or sources of static electricity as these may interrupt the mechanisms inside the watch. It is also important to avoid extreme shock or impact.

# WATER RESISTANCE

The water resistance indicated on your timepiece serves only as a guide.

Actual water resistance may vary depending on a number of important factors including temperature, water salinity, and actual use under water.

The water resistance of your timepiece may eventually be compromised over time with general wear and tear and the use of your watch under adverse conditions.

Note that you should NEVER wear your watch in a jacuzzi, hot shower or steam room where steam may enter the case despite the watertight seals used to protect your watch.

The steam may cause condensation inside your watch, which may affect and damage the inner workings of your watch – which would also not be covered by the warranty.

# SERVICE LOG

Use this area to record any aftercare of your timepiece.

| DATE | NOTES: | LOCATION |
|------|--------|----------|
|      |        |          |
|      |        |          |
|      |        |          |
|      |        |          |
|      |        |          |
|      |        |          |
|      |        |          |
|      |        |          |
|      |        |          |
|      |        |          |
|      |        |          |
|      |        |          |

The background of the page features a faint, light-colored line drawing of a mechanical watch movement. It shows various gears, a balance wheel, and other intricate parts of the mechanism, arranged in a circular pattern.

# NOTES

---

---

---

---

---

---

---

---

---

---

---

---

---

---

---

---

---



# NOTES

---

---

---

---

---

---

---

---

---

---

---

---

---

---

---

---

---

---

# NOTES



---

---

---

---

---

---

---

---

---

---

---

---

---

---

---

---





SCHILD



VOL.1.05 EN

[SCHILD1896.COM](http://SCHILD1896.COM)