

Wind Dancer Mini

The Wind Dancer Mini is a great option for outdoor and indoor banner displays. It offers an adjustable display height and comes with a black hollow base, which can be filled with water or sand for increased stability.



features and benefits:

- Adjustable hardware height up to 8'3"
- Flag is approximately 25.75" wide
- Hardware adjustable for various graphic heights
- Easy to position, erect and remove
- Single or double sided graphic option
- 90 day hardware warranty against manufacturer defects
- Six month graphic limited warranty

dimensions:

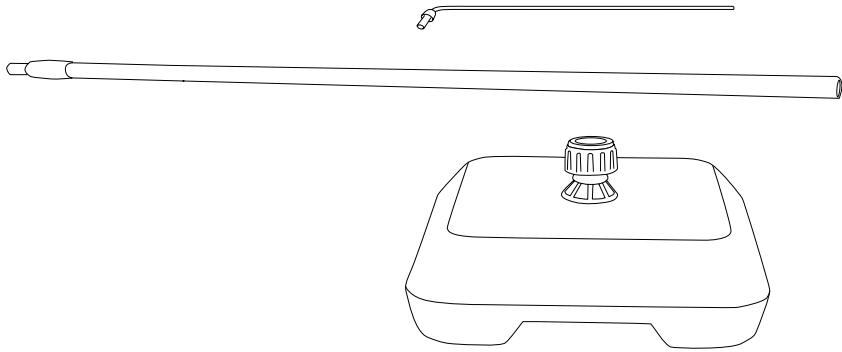
Hardware	Graphic
<p>Assembled unit: 16.3125"w x 56"h up to 100.32"h x 16.3125"d 414mm(w) x 1422mm(h) up to 2548mm(h) x 414mm(d)</p> <p>Base unit (with arm): 31.5" w x 16.3125"d 800mm(w) x 414mm(d)</p> <p>Weight: Empty: 5 lbs / 2.27 kgs Filled with water: 33.07 lbs / 15 kgs</p>	<p>Refer to related graphic template for more information.</p> <p>Visit: www.tradeshowplus.com</p>
<p>Shipping</p> <p>Shipping dimensions - ships in two boxes: Box 1: 15.25"l x 15.75"w x 6"h 387mm(l) x 400mm(w) x 152mm(h) Box 2: 56"l x 3.5"w x 1.75"h 1422mm(l) x 89mm(w) x 44mm(h)</p> <p>Approximate shipping weight: Box 1: 3 lbs / 1.36 kg Box 2: 3 lbs / 1.36 kg</p>	

additional information:

<p>Graphic material: flag</p>	<p>Hollow plastic base can be filled with water or sand</p> <p>Base can hold approximatley 222 lbs or 2.22 cubic feet of sand</p> <p>*For applications below 40° fahrenheit, please use sand in place of water.</p>
-----------------------------------	---

We are continually improving and modifying our product range and reserve the right to vary the specifications without prior notice. All dimensions and weights quoted are approximate and we accept no responsibility for variance. E&OE. See Graphic Templates for graphic bleed specifications.

Pieces required for assembly



Set-up

