

Wind Dancer

The Wind Dancer is a great option for outdoor and indoor banner displays. It offers an adjustable display height of up to 16' and comes with a hollow base.



We are continually improving and modifying our product range and reserve the right to vary the specifications without prior notice. All dimensions and weights quoted are approximate and we accept no responsibility for variance. E&OE. See Graphic Templates for graphic bleed specifications.

features and benefits:

- Adjustable height up to 17'3"
- Flag is approximately 43" wide
- Hardware adjustable for various graphic heights
- Easy to position, erect and remove
- Made from 100% recyclable materials
- Single or double sided graphic option
- Optional carry bag available
- One year hardware warranty against manufacturer defects

dimensions:

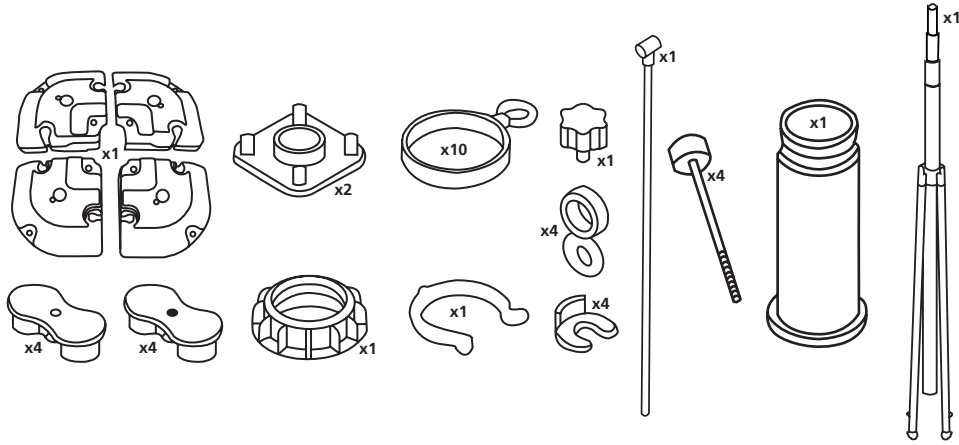
Hardware	Graphic
<p>Assembled unit: 36" w x 36" d x 209" h 914.4mm(w) x 914.4mm(d) x 5308.6mm(h)</p> <p>Base unit: 36" w x 36" d x 6" h approx. 914.4mm(w) x 914.4mm(d) x 152.4mm(h)</p> <p>Weight when filled with water: 165.75 lbs / 75.2 kg</p>	<p>Total visual area: 43" w x 144" h</p> <p>Adjustable for various graphic height options: 3" h max 48" h max 96" h max 144" h max</p> <p>Please be sure to keep all text, logos, critical design elements out of the grommet area.</p>
<p>Shipping</p> <p>Shipping dimensions - ships in two boxes: Box 1: 34" l x 17" w x 17" h 863.6mm(l) x 431.8mm(w) x 431.8mm(h) Box 2: 68" l x 9" w x 5" h 1727.2mm(l) x 228.6mm(w) x 127mm(h)</p> <p>Approximate shipping weight: Box 1: 18 lbs / 8.2 kg Box 2: 16 lbs / 7.3 kg</p>	<p>Graphics printed on 4oz. Flag using the dye-sublimation printing process will need an extra 2" bleed on left and right and 4" bleed on top and bottom.</p> <p>Refer to related graphic template for more information.</p> <p>Visit: www.tradeshowplus.com</p>

additional information:

<p>Bag dimensions: Pole bag - 64" l x 10" w 1625.6" mm(l) x 254" mm(w) Base bag - 28" l x 16" w x 16" h 711.2mm(l) x 406.4mm(w) x 406.4mm(h)</p> <p>Base can hold approximately 222 lbs or 2.22 cubic feet of sand</p>	<p>Graphic materials: 4 oz. flag</p> <p>Hard case option: OCF2</p> <p>Wind Resistance: 18-24 mph</p>
--	--

*For applications below 40° fahrenheit, please use sand in place of water.

Pieces required for assembly



Set-up

