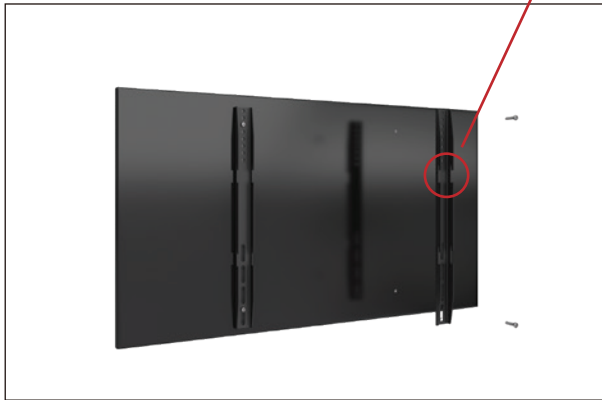
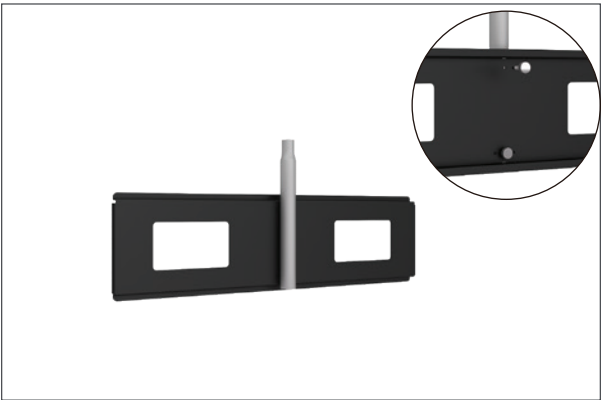


Set Up Instructions

Step 1: Attach brackets to back of monitor with screws. Rubber spacers can be placed between the bracket and the monitor if your the back of the monitor is not flat. Choose the spacer that best fits your need. Position the VESA bracket with the the **hook facing down**.



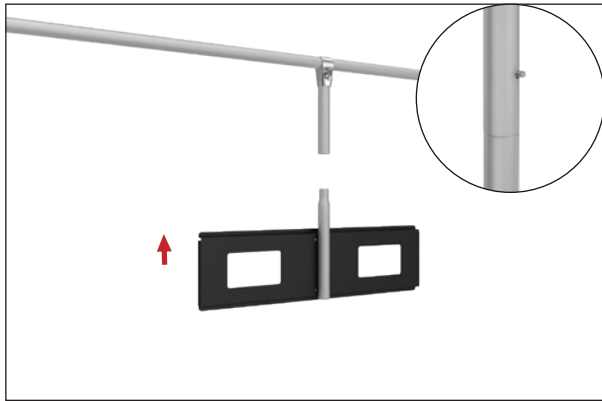
Step 2: Attach base plate to pole with screws.



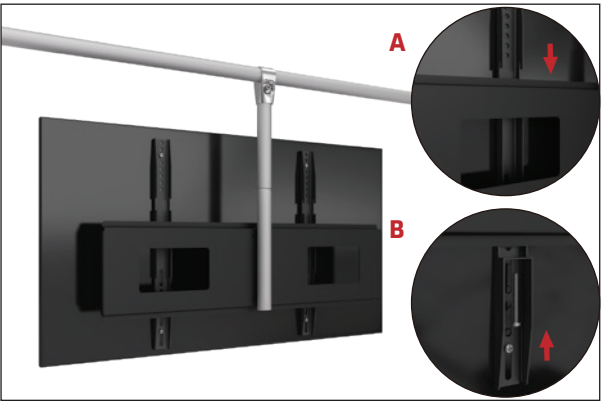
Step 3: Attach clamp to top of display frame and tighten with allen tool.



Step 4: Attach bottom pole to top pole with push button attachment.



Step 5: **(A)** Hang the monitor onto base plate to test the positioning. Once position is correct remove monitor and add graphic to frame. **(B)** Hang the monitor again and put in final screw to hold monitor bracket in place.



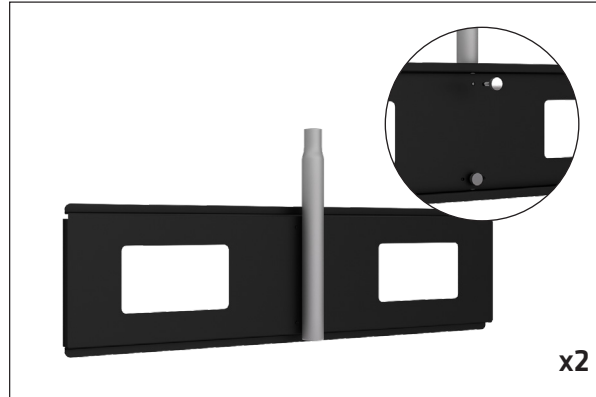
Set Up Instructions

WLT-P-138

Step 1: Attach brackets to back of monitor with screws. Rubber spacers can be placed between the bracket and the monitor if your the back of the monitor is not flat. Choose the spacer that best fits your need. Position the VESA bracket with the **hook facing down**.



Step 2: Attach base plate to pole with screws.



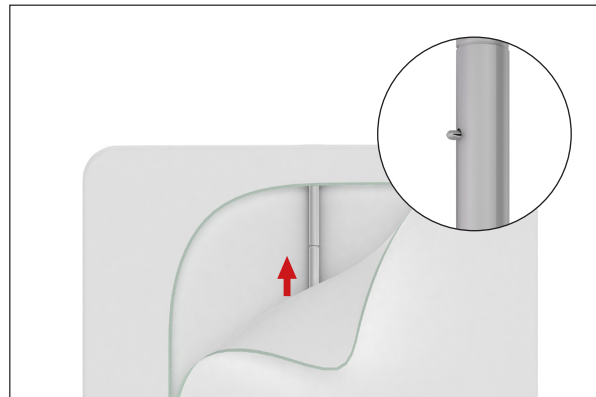
Step 3: Attach clamp to top of display frame and tighten with allen tool.



Step 4: Insert base plate pole through front of graphic.



Step 5: Attach bottom pole to top pole with push button attachment.



Step 6: Align monitor with bracket to set into place.



Set Up Instructions

WLT-P-138

Step 7: (A) Hang the monitor onto base plate to test the positioning. Once position is correct remove monitor and add graphic to frame.

Step 8: (B) Hang the monitor again and put in final screws to hold monitor bracket in place.

