



# Set Up Instructions

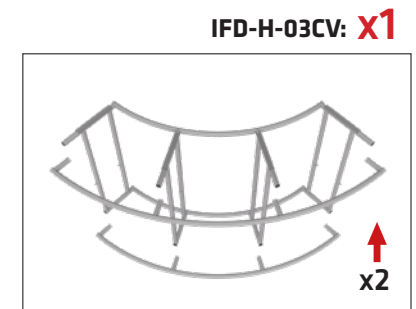
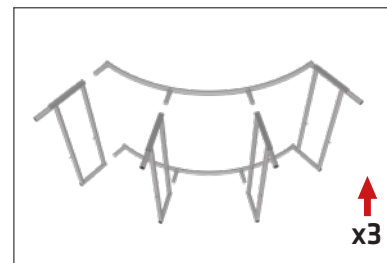
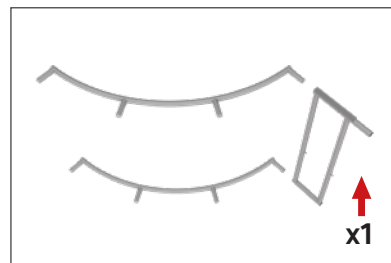
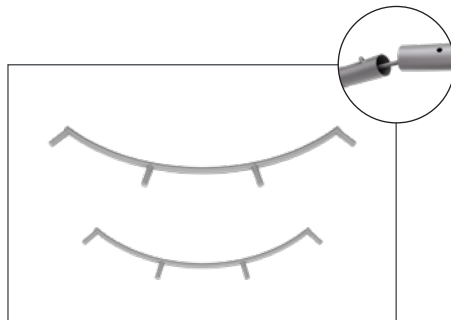
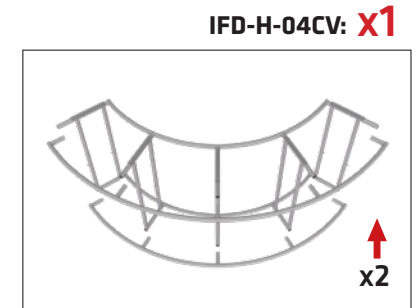
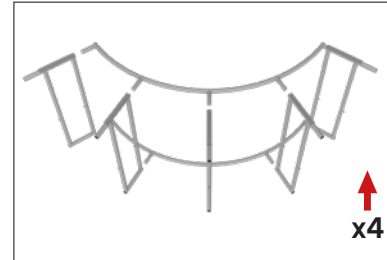
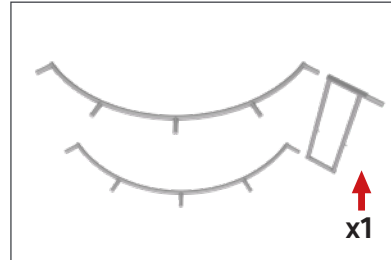
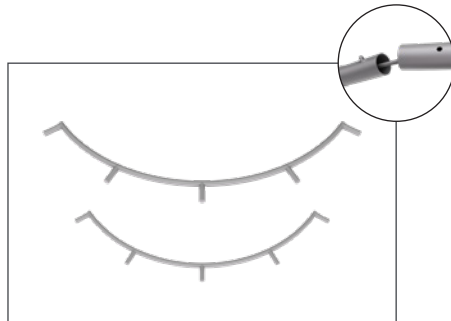
# WaveLine InfoDesk Counter 07CO

### FRAME ASSEMBLY:

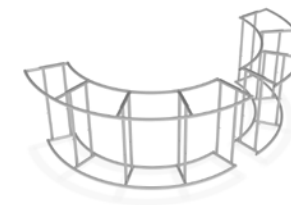
Assemble base parts and poles by pressing and pushing together.

### \*NOT ALL PARTS WILL BE USED:

This counter is made from x3 full kits and not all parts will be needed to complete this design.



IFD-H-04CV

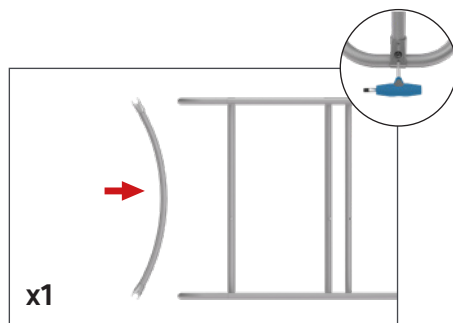
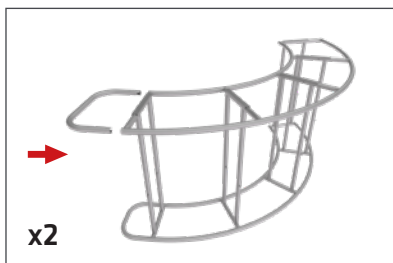


IFD-H-03CV

# Set Up Instructions

## IFD-H-04CV:

Assemble x1 end cap on left side only. Use hand tool when shown.



## CROSSBAR SUPPORT:

Attach across second opening from the left.



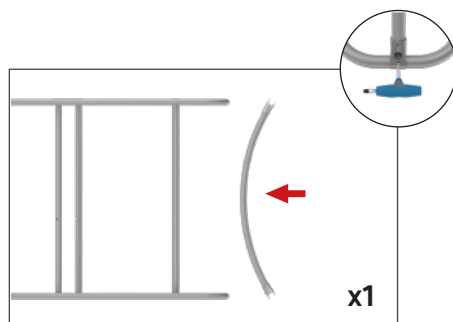
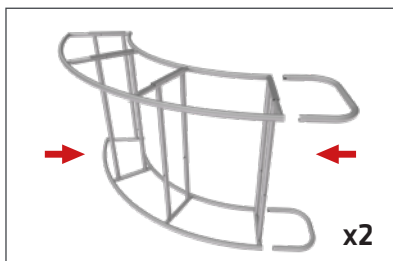
## COUNTER TOP SUPPORT:

For leveling end cap counter top.

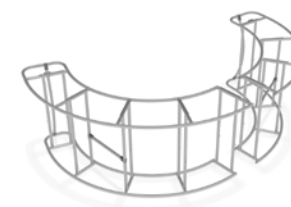


## IFD-H-03CV:

Assemble x1 end cap on left side only. Use hand tool when shown.



IFD-H-04CV

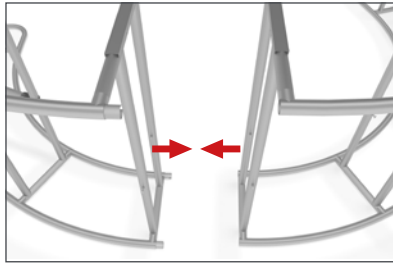


IFD-H-03CV

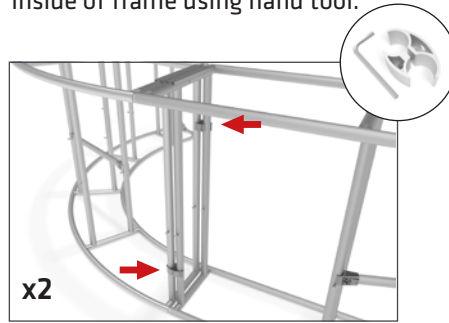
# Set Up Instructions

# WaveLine InfoDesk Counter 07CO

**CONNECT FRAMES TOGETHER:**  
Connect x3 frames together with x2 butterfly clips (WLM-P-SCS) per



frame connection. Attach one clip to outside of frames and one clip to inside of frame using hand tool.

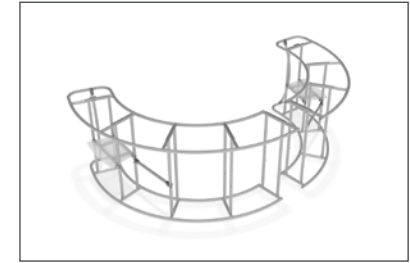


WLM-P-SCS

**SHELVES:**  
(OPTIONAL) To add shelves to frame, position and level shelf on



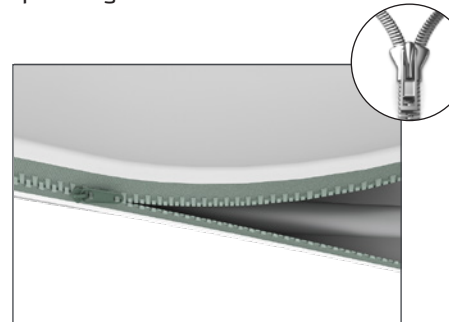
frame before tightening clamps down with hex tool.



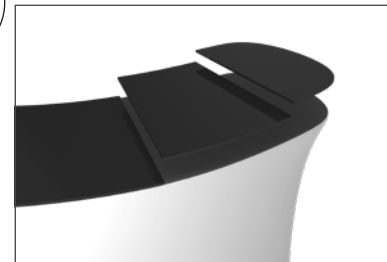
**GRAPHIC INSTALL:**  
**Step 1:** Unzip print and slide print onto frame like a pillow case.



**Step 2:** Grip the fabric tightly and stretch around bottom of desk to pinch zipper into place. Zip the print together for taut finish.



**Step 3:** Attach countertop panels to fabric counter with Velcro. Start at one end and work your way across to the other side.



**Step 4:** Join counter top panels together front and back with black push-on clamps.

