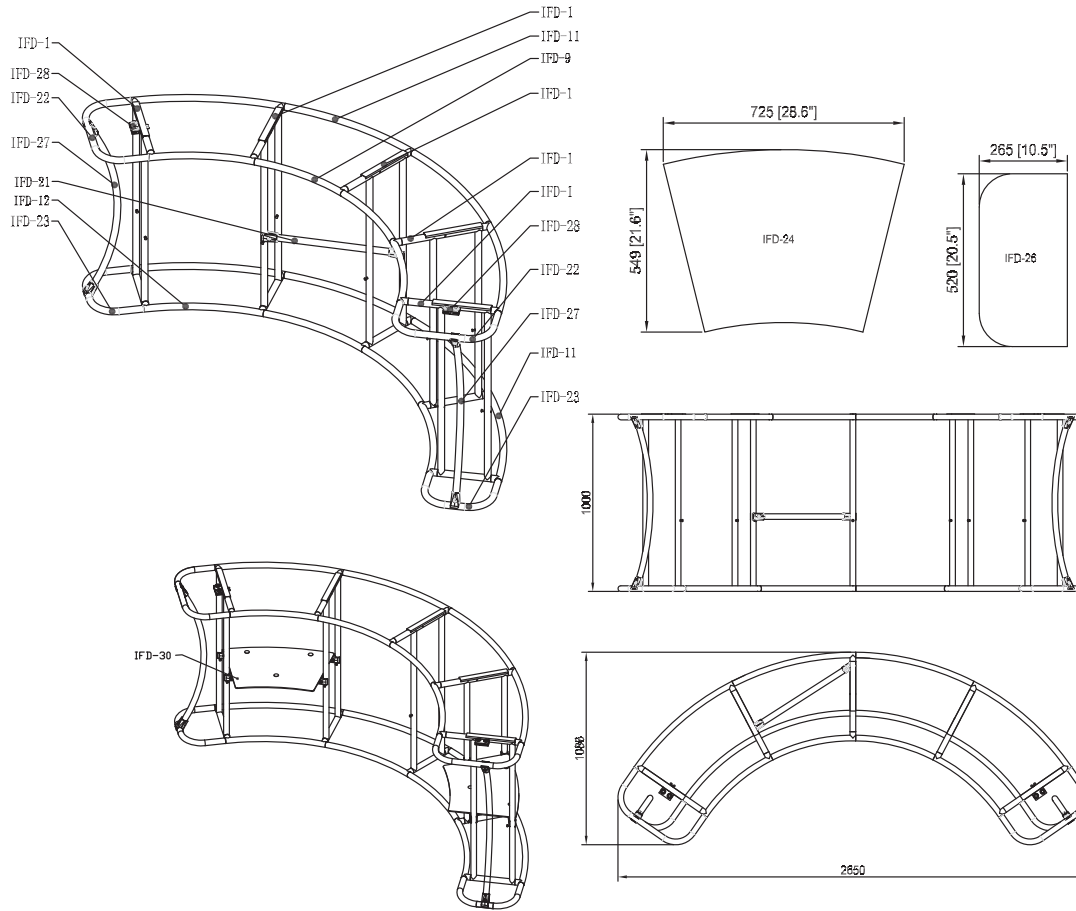


WaveLine InfoDesk Counter 04CI

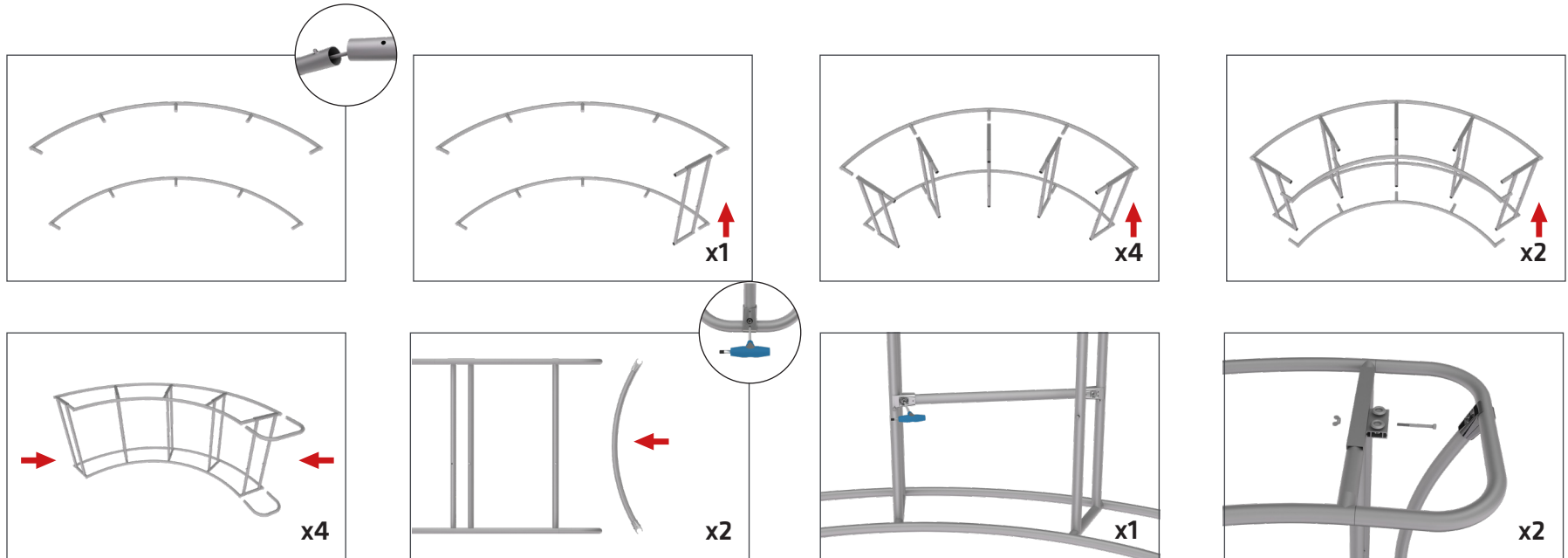


Hardware									Countertop			Graphics		Accessories			Shipping Case					
IFD-1	5		IFD-22	2								Yes / No		Single or Double-sided	IFD-30	2		CA900				
IFD-9	1		IFD-23	2								IFD-24	4	None				CA500				
IFD-11	2		IFD-27	2								IFD-26	2	Complete				NYLON BAG				
IFD-12	1		IFD-28	2										Split-ship								
IFD-21	1																					
No.	Quantity	Confirm	No.	Quantity	Confirm	No.	Quantity	Confirm	No.	Quantity	Confirm	No.	Quantity	Confirm		Confirm	No.	Quantity	Confirm	No.	Quantity	Confirm

Set Up Instructions

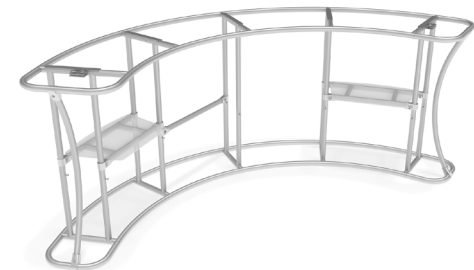
WaveLine InfoDesk Counter 04CI

Step 1: Assemble base parts and poles by pressing and pushing together. Use hand tool when shown.



SHELVES:
(OPTIONAL) To add shelves to frame, position and level shelf on frame before tightening clamps down with hex tool.

*Shelves will only fit on the two outermost interior frame sections.



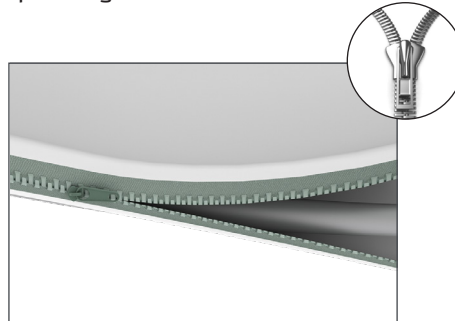
Set Up Instructions

WaveLine InfoDesk Counter 04CI

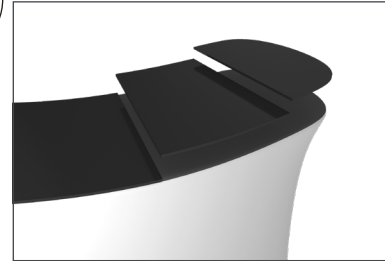
Step 1: Unzip print and slide print onto frame like a pillow case.



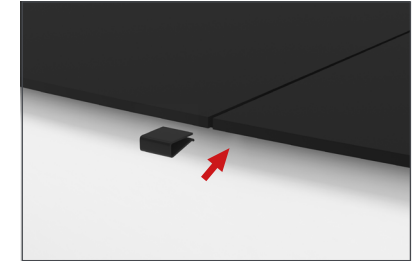
Step 2: Grip the fabric tightly and stretch around bottom of desk to pinch zipper into place. Zip the print together for taut finish.



Step 3: Attach countertop panels to fabric counter with Velcro. Start at one end and work your way across to the other side.



Step 4: Join counter top panels together front and back with black push-on clamps.



STORAGE ZIPPER:
(OPTIONAL) Zipper access to shelving and storage.

