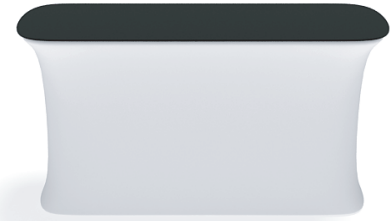
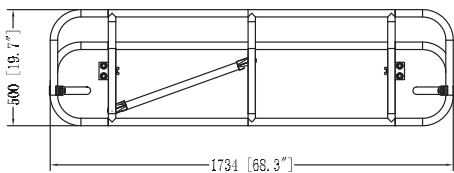
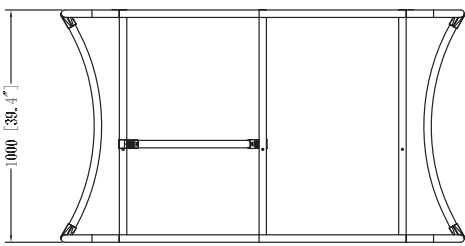
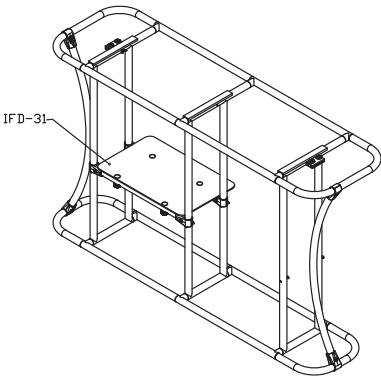
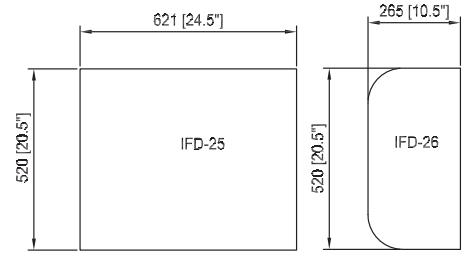
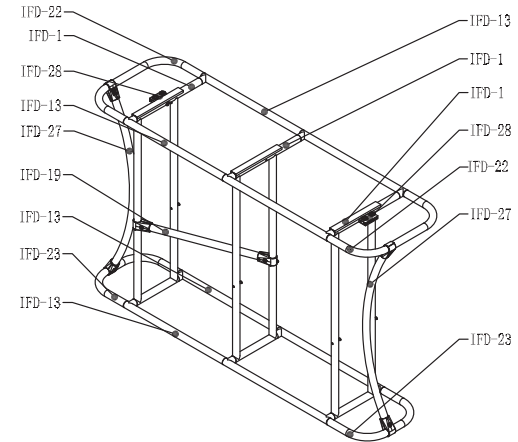


WaveLine InfoDesk Counter 02F

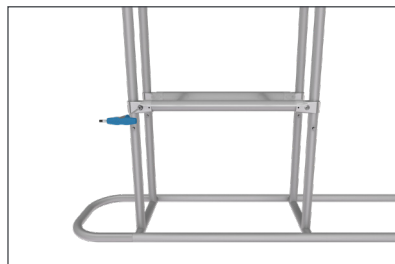
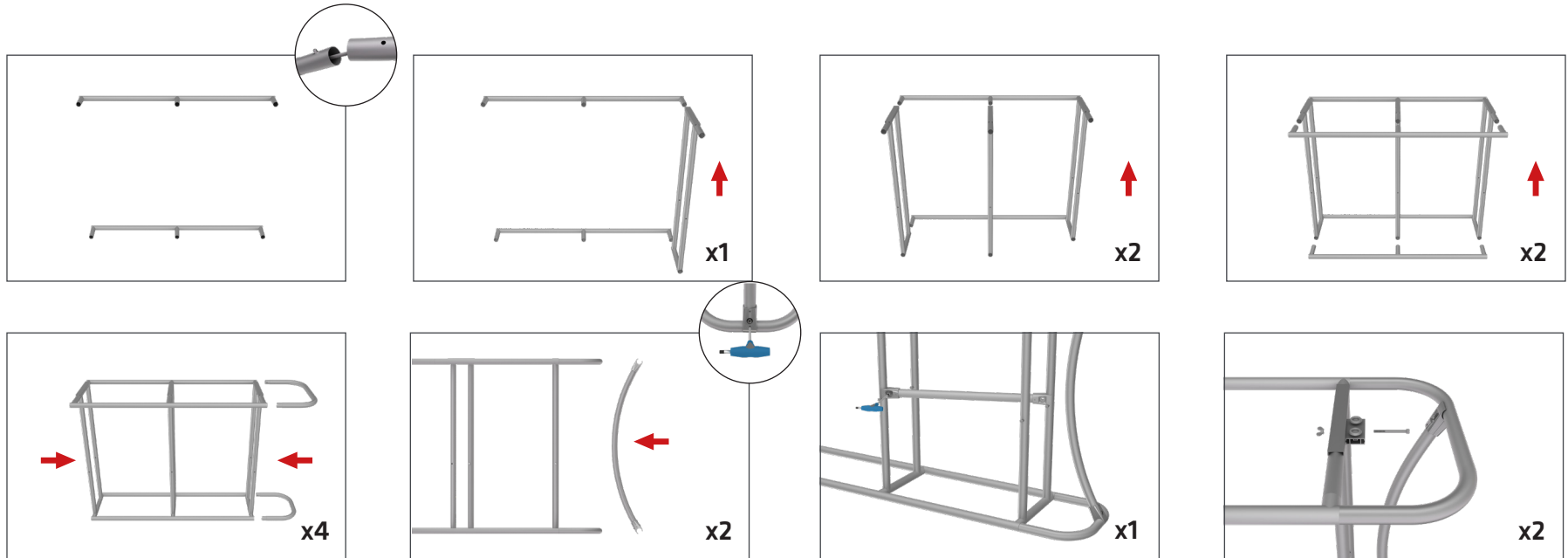


Hardware											Countertop			Graphics		Accessories			Shipping Case			
IFD-1	3		IFD-27	2								Yes / No		Single or Double-sided		IFD-31	1		CA900			
IFD-13	4		IFD-28	2								IFD-25	2		None				CA500			
IFD-19	1											IFD-26	2		Complete				NYLON BAG			
IFD-22	2														Split-ship							
IFD-23	2																					
No.	Quantity	Confirm	No.	Quantity	Confirm	No.	Quantity	Confirm	No.	Quantity	Confirm	No.	Quantity	Confirm		Confirm	No.	Quantity	Confirm	No.	Quantity	Confirm

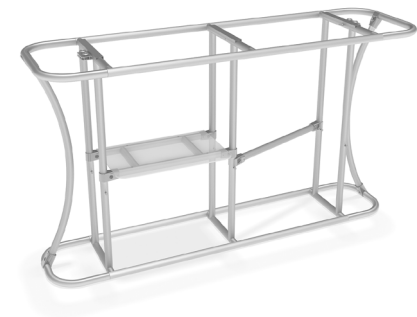
Set Up Instructions

WaveLine InfoDesk Counter 02F

Step 1: Assemble base parts and poles by pressing and pushing together. Use hand tool when shown.



SHELVES:
(OPTIONAL) To add shelves to frame, position and level shelf on frame before tightening clamps down with hex tool.



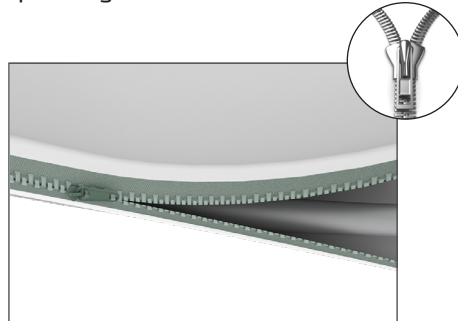
Set Up Instructions

WaveLine InfoDesk Counter 02F

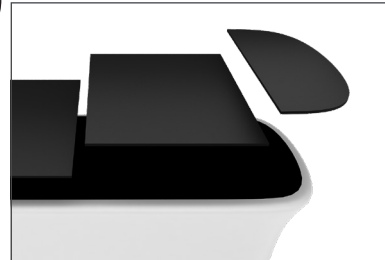
Step 1: Unzip print and slide print onto frame like a pillow case.



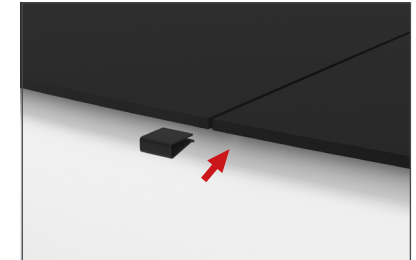
Step 2: Grip the fabric tightly and stretch around bottom of desk to pinch zipper into place. Zip the print together for taut finish.



Step 3: Attach countertop panels to fabric counter with Velcro. Start at one end and work your way across to the other side.



Step 4: Join counter top panels together front and back with black push-on clamps.



STORAGE ZIPPER:
(OPTIONAL) Zipper access to shelving and storage.

