

# Vector Frame Master Kit 25

The 10ft x 10ft in-line Vector Frame Master Kit 25 is an innovative and contemporary exhibit that provides a sleek appearance and excellent features and functionality. Kit 25 couples vibrant, dye-sublimated push-fit fabric graphics with simple extrusion frames. Kit 25 includes accent lighting, a monitor mount, an entire slot wall to hang merchandise from and lockable closet for storage.



## features and benefits:

- 50mm silver extrusion frame
- Single-sided SEG push-fit fabric graphics
- 3'w x 4'd Storage closet for convenient storage with locking door
- Monitor mount supports 32"-55" monitors with a 40 lb. max capacity
- Two LED lights
- Slot wall for product display
- Ships freight in a wood crate
- Slot wall has a 30 lb. max capacity
- Lifetime hardware warranty against manufacturer defects

## dimensions:

Hardware

Graphic

Assembled unit:  
110.24"w x 94.49"h x 39.37"d  
2800mm(w) x 2400mm(h) x 1000mm(d)

Refer to related graphic template for more information.

Approximate weight:  
315 lbs / 142 kg

Visit: [www.tradeshowplus.com](http://www.tradeshowplus.com)

Shipping

## additional information:

Packing case(s):  
1 HALF-WOODCRATE

Graphic material:

Shipping dimensions:

Dye-sublimate SEG push-fit fabric graphics

WOOD-CRATE:  
101"l x 31"h x 52.75"d  
2566mm(l) x 788mm(h) x 1340mm(d)

When included in a larger kit, a different packaging solution will be listed to accommodate all contents of the kit. Individual packaging no longer provided.

Approximate total shipping weight:  
583 lbs / 264 kg

Lighting Power Requirements:

Total wattage needed:	Total ampage needed:	Voltage used:
24 watts	2.4 amps	100-240 volts



This product may include the following materials for recycle:  
aluminum, select wood, fabric, cardboard, paper, steel, and plastics.

2 person assembly recommended:



We are continually improving and modifying our product range and reserve the right to vary the specifications without prior notice. All dimensions and weights quoted are approximate and we accept no responsibility for variance. E&OE. See Graphic Templates for graphic bleed specifications.

# Included In Your Kit

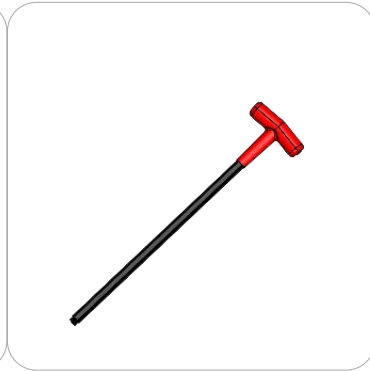
Tools, Components, & Connectors



HEX-KEY-SET x1



FABRIC STEAMER-ES x1



5MM-ALLEN-T x1



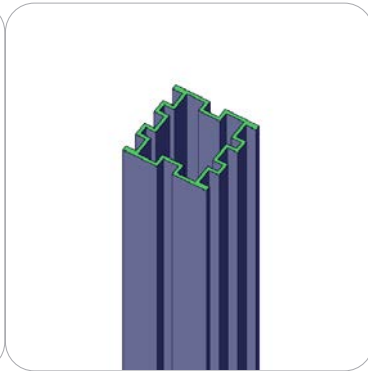
VF-FCDOOR-50MM-900-L x1



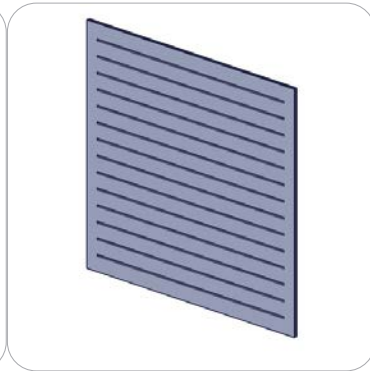
LUM-LED2-ORL-B x2



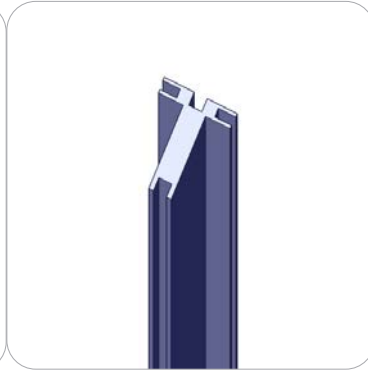
PHFC2-2400-MCB9-MCB9-SIDE x3



PM2S2-2400 x4



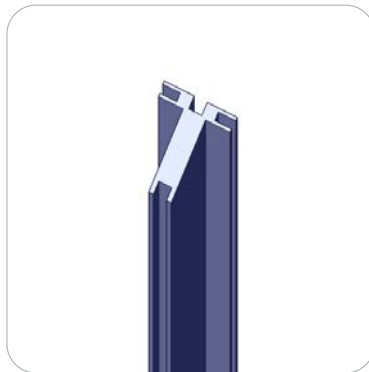
PS-1200-1200 x2



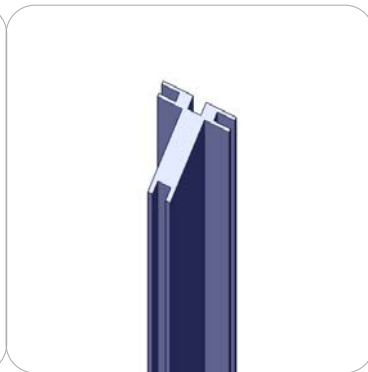
PHFC2-900-MCB9-MCB9 x2



PHFC2-2400-MCB9-MCB9 x1



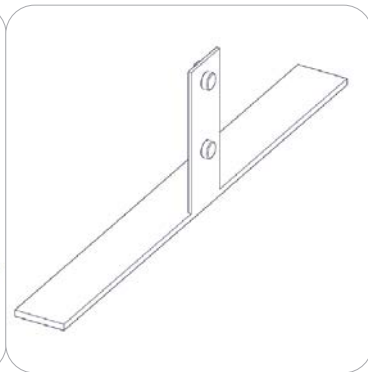
PHFC2-1200-MCB9-MCB9 x2



PHFC2-1500-MCB9-MCB9 x2



PHFC2-900-L-L x2



SW-FOOT-500-LN x1

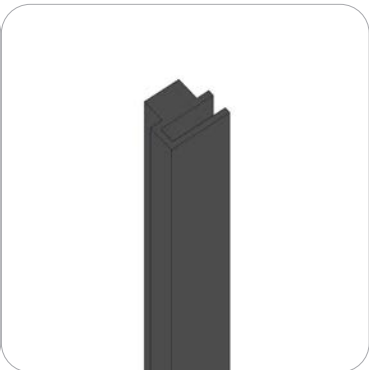


CB9 x8

# Included In Your Kit



FREESTANDING-SPLIT-MM-2 x1

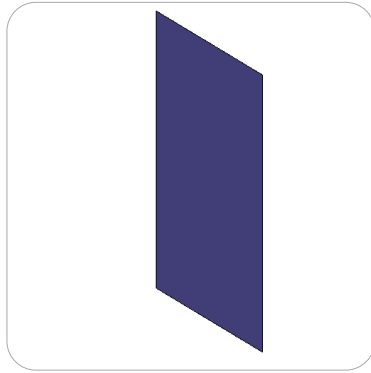


FC-2386 x8

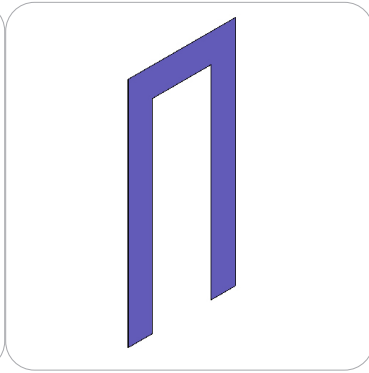
Tools, Components, & Connectors

# Included In Your Kit

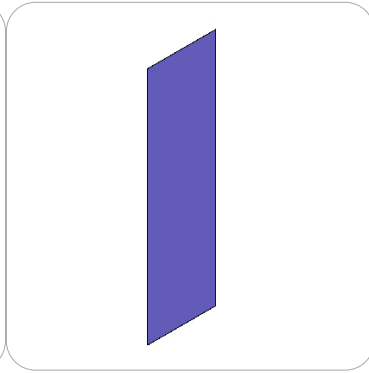
Graphics



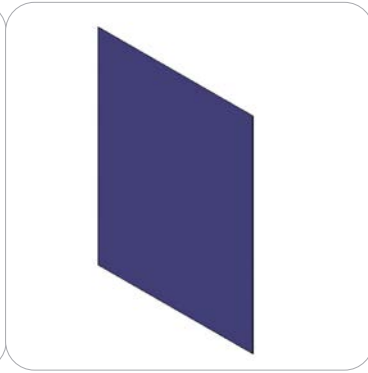
VF-K-25-A-G x1



VF-K-25-B-G x1

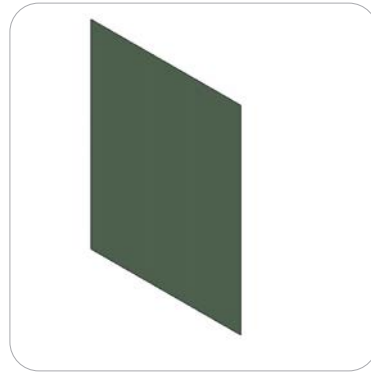


VF-K-25-C-G x1

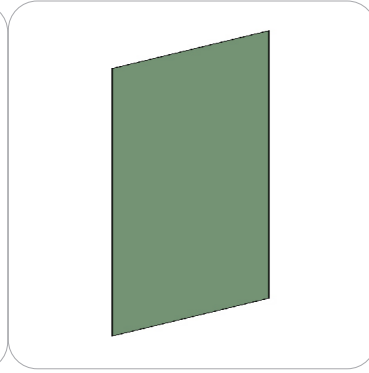


VF-K-25-D-G x1

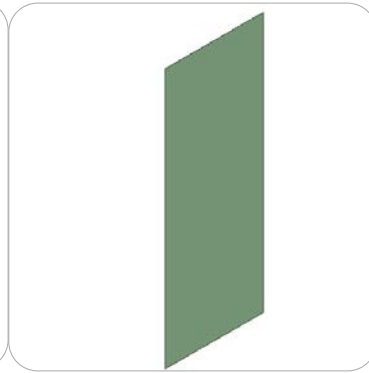
Interior Liners



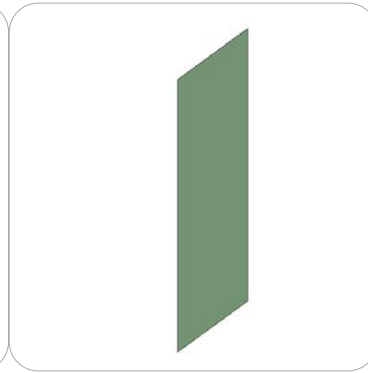
VF-K-25-J-G x1



VF-K-25-I-G x1



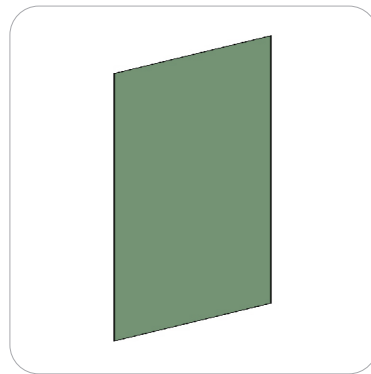
VF-K-25-E-G x1



VF-K-25-G-G x1



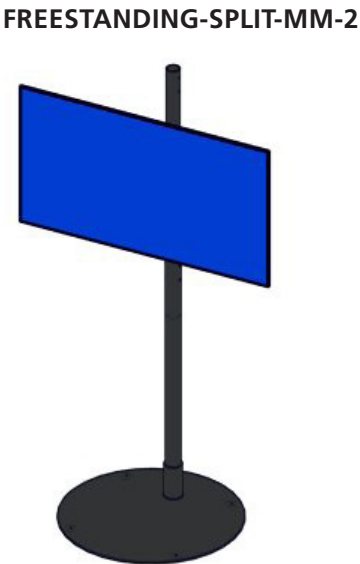
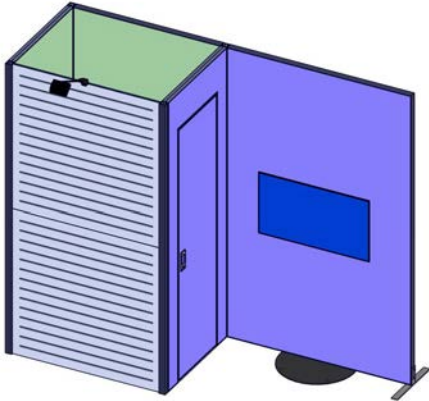
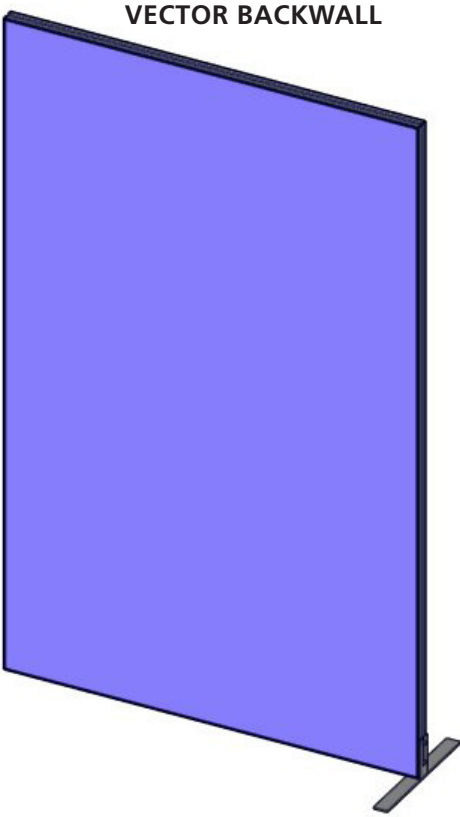
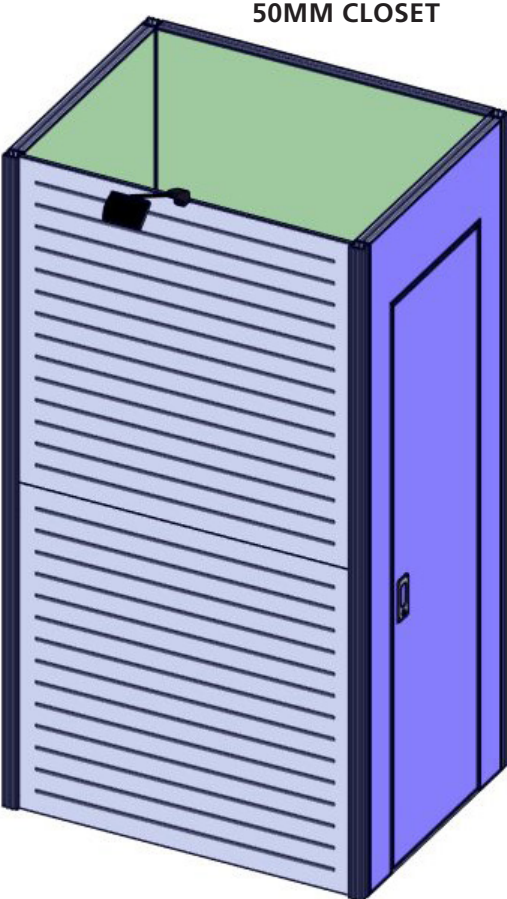
VF-K-25-F-G x1



VF-K-25-H-G x1

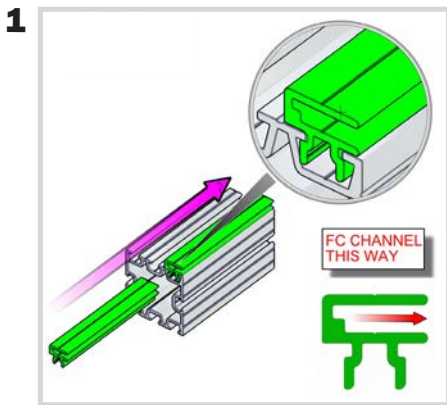
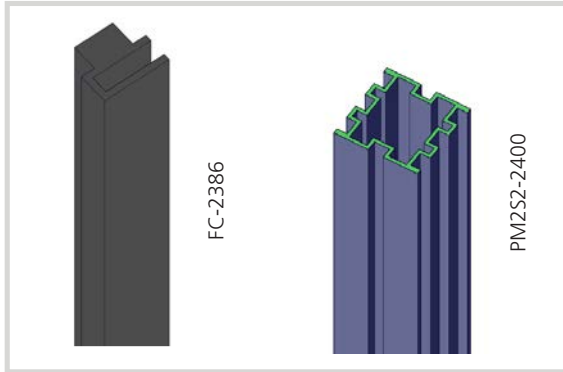
# Kit Components

VF-K-25

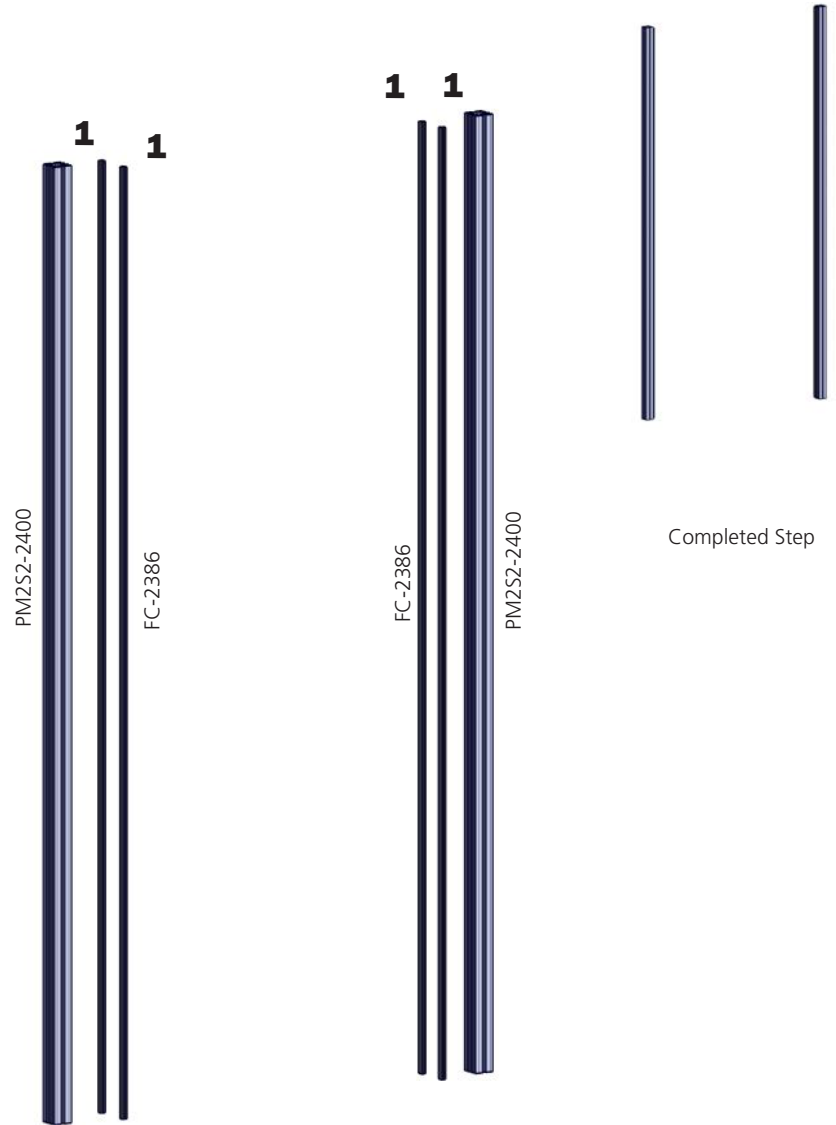


# Closet Assembly

For this step you will need:

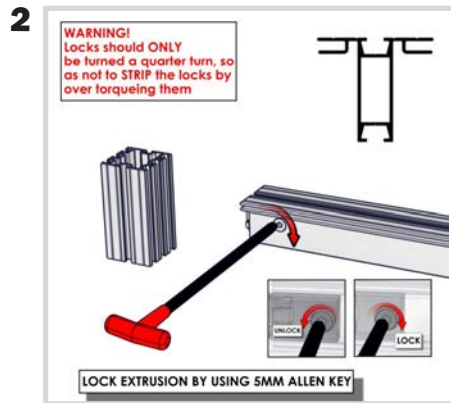


Slide FC Channels into the outside channels of the PM2S2 facing the door frame.

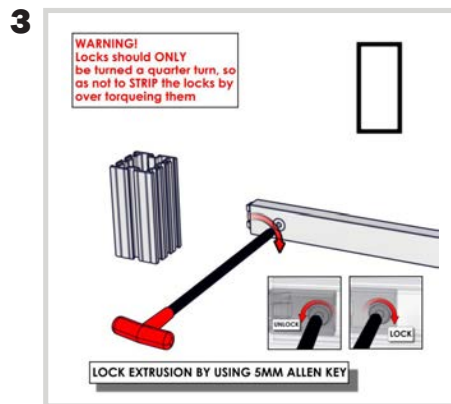


# Closet Assembly

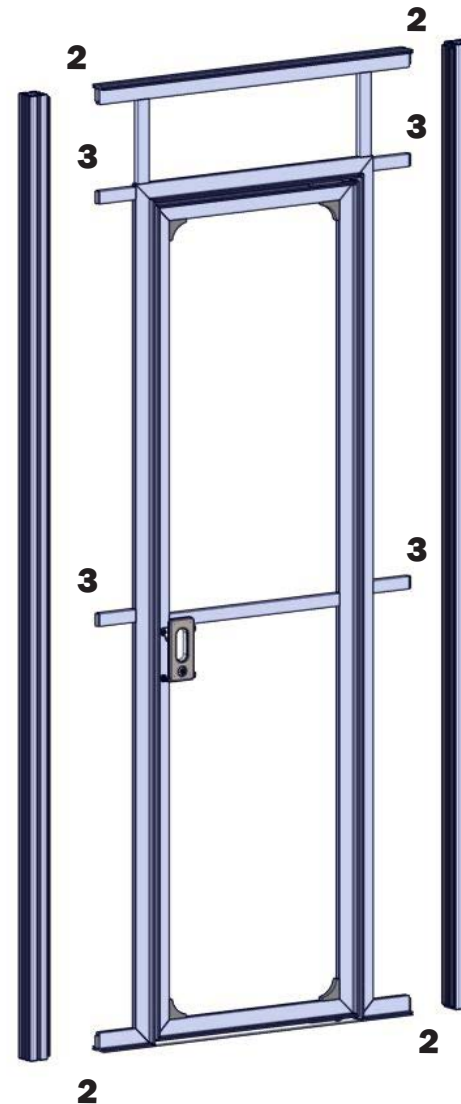
For this step you will need:



Using the 5mm Allen-T attach the PHFC2s at the top and bottom of your door frame to two of your PM2S2s.



Using the 5mm Allen-T attach the PH1s on your door frame to two of your PM2S2s.

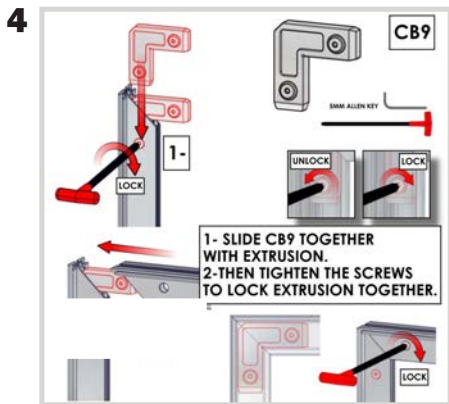
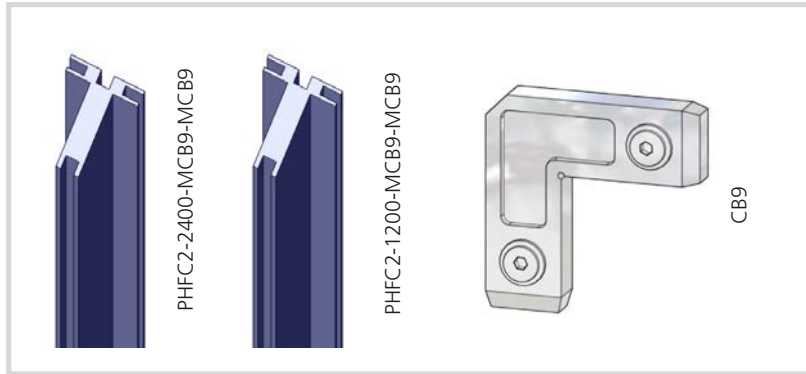


Completed Step

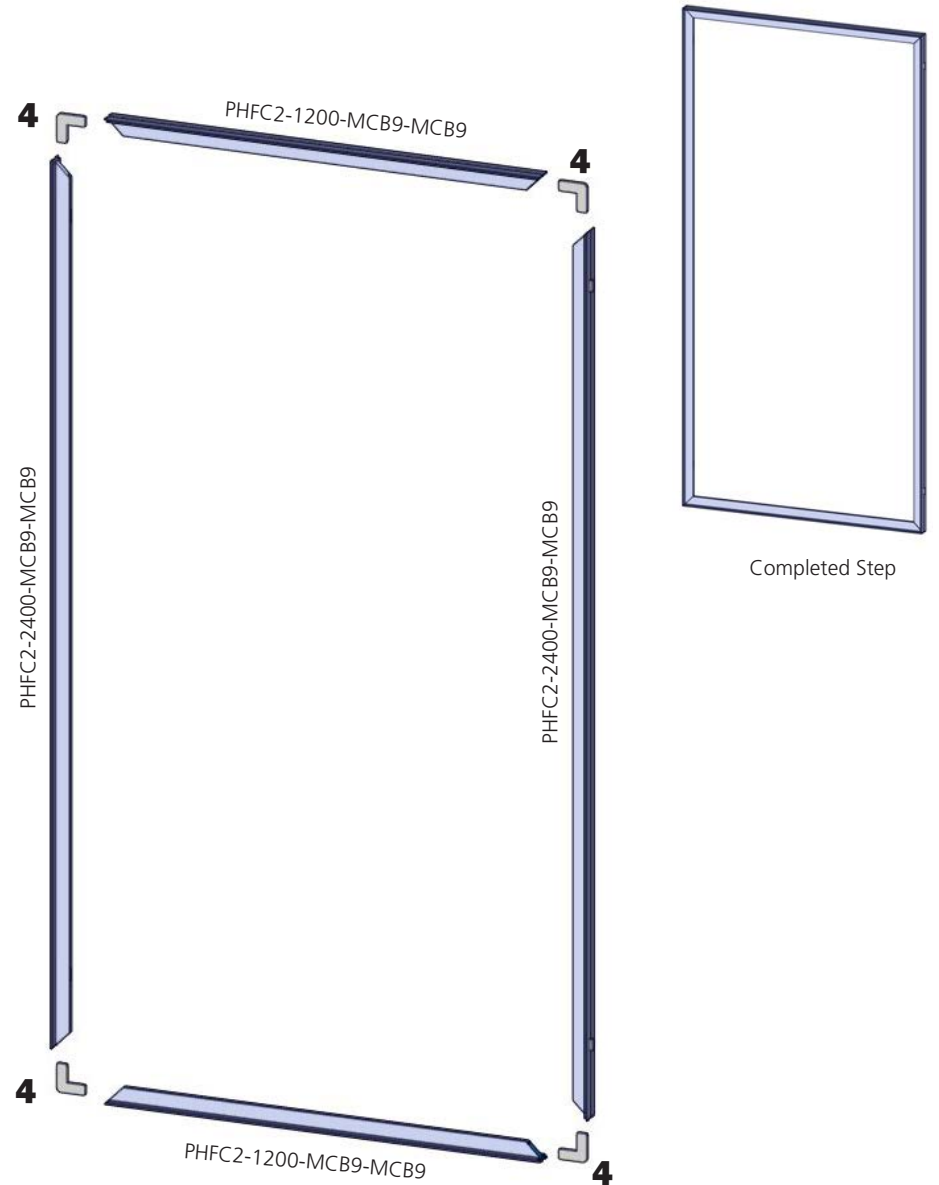
Door frame comes assembled  
\*DO NOT DISASSEMBLE\*

# Closet Assembly

For this step you will need:



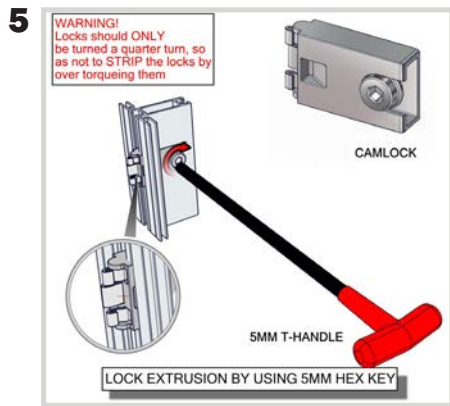
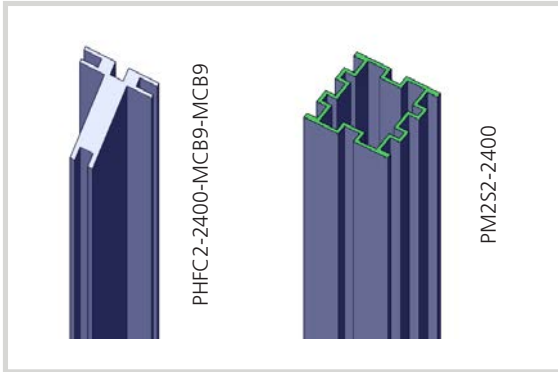
Attach the back frame of the closet together using the Allen Tool and the CB9 Connectors.



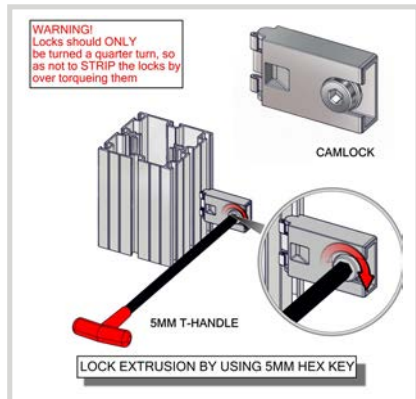


# Closet Assembly

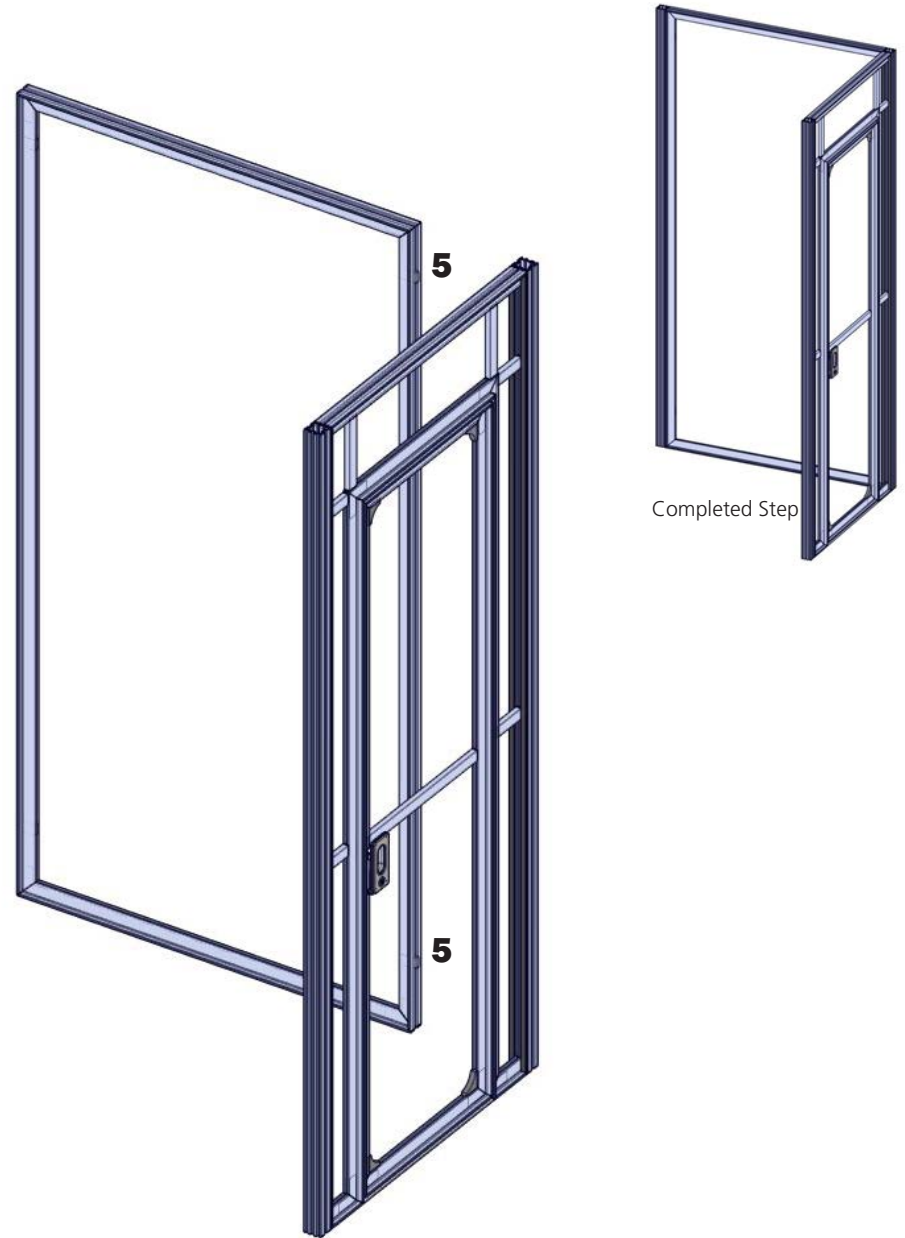
For this step you will need:



Inside the PHFC2s are cam locks.

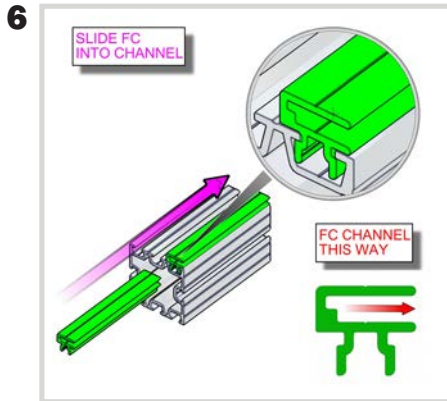
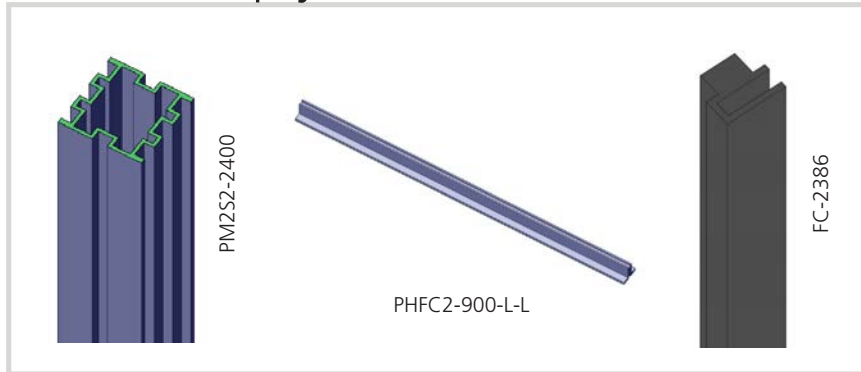


These will attach the PHFC2 to the side of the PMFC2. So you can connect your completed door frame with the back frame.

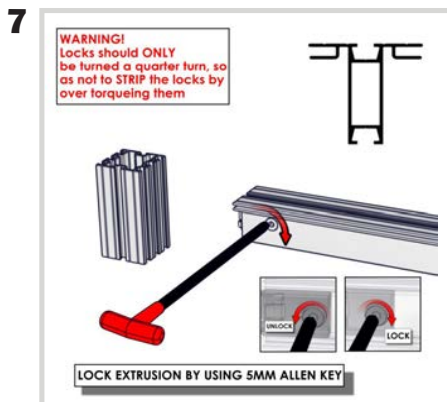


# Closet Assembly

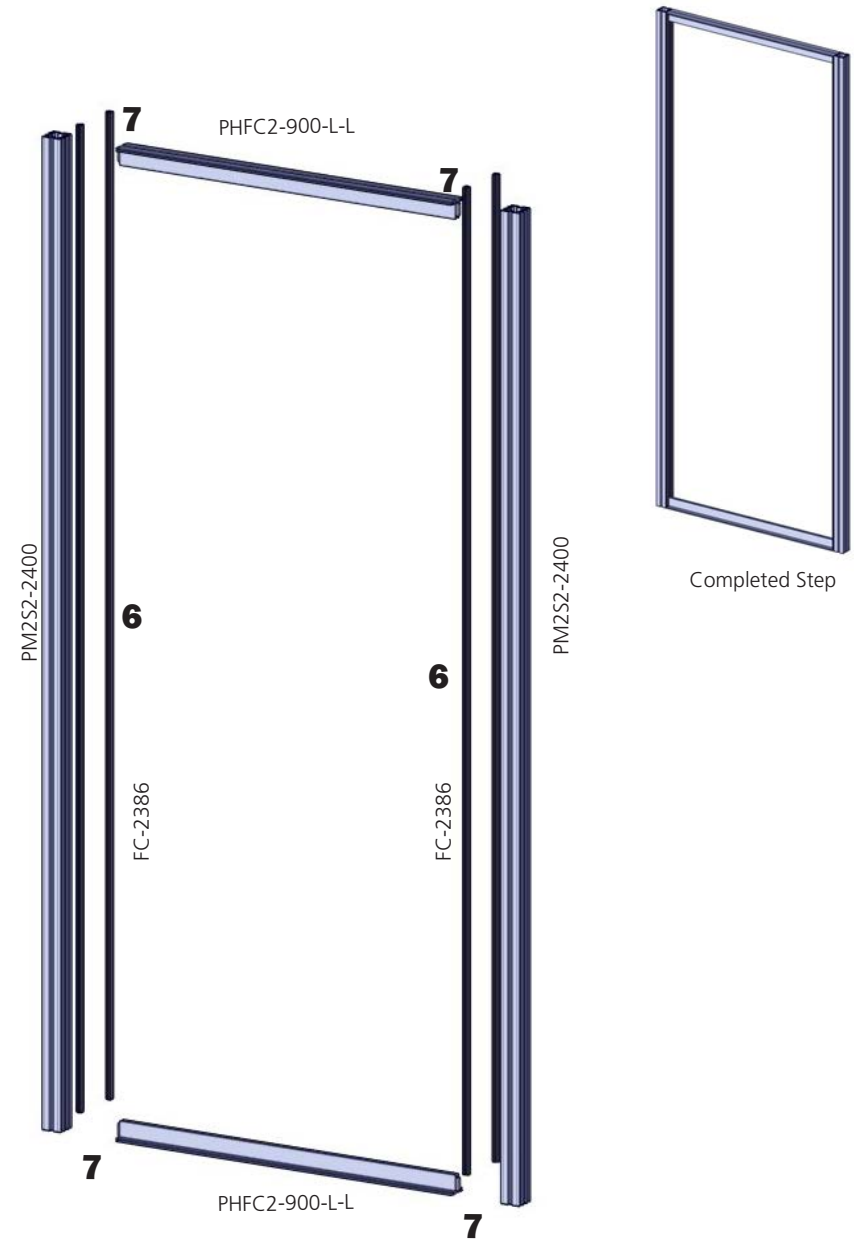
For this step you will need:



Slide FC Channels into the outside channels of the PM2S2 facing the door frame.

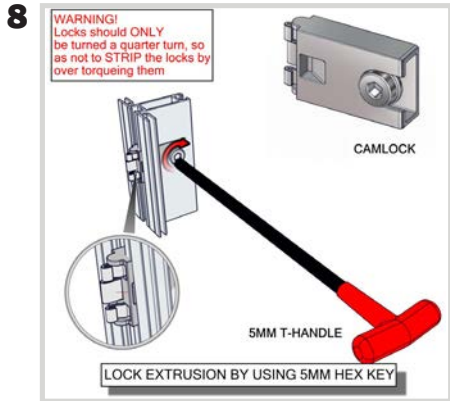
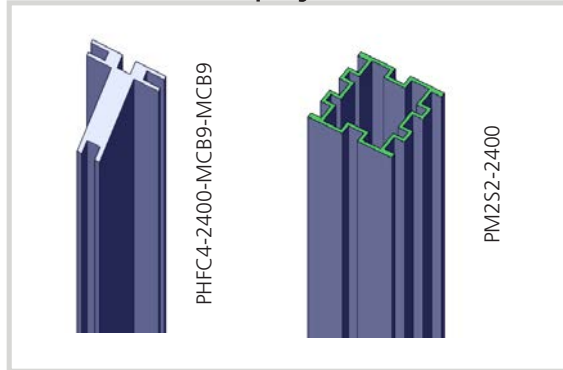


Using the 5mm Allen-T attach the PHFC2s at the top and bottom of your door frame to two of your PM2S2s.

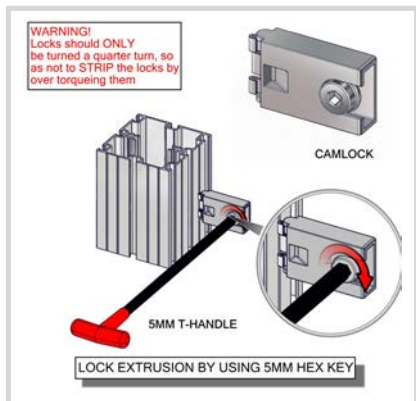


# Closet Assembly

For this step you will need:



Inside the PHFC2s are cam locks.

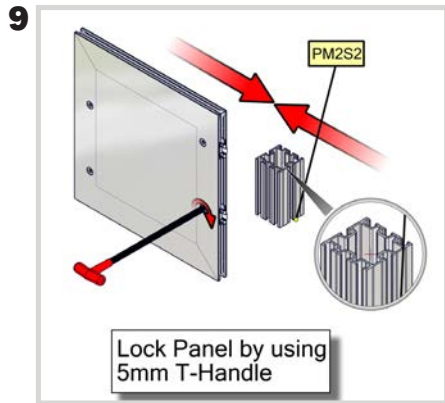
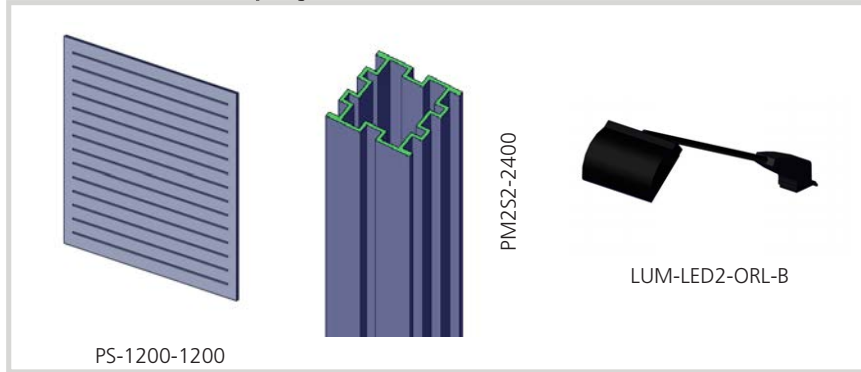


These will attach the PHFC2 to the side of the PMFC2. So you can connect your completed door frame with the back frame.



# Closet Assembly

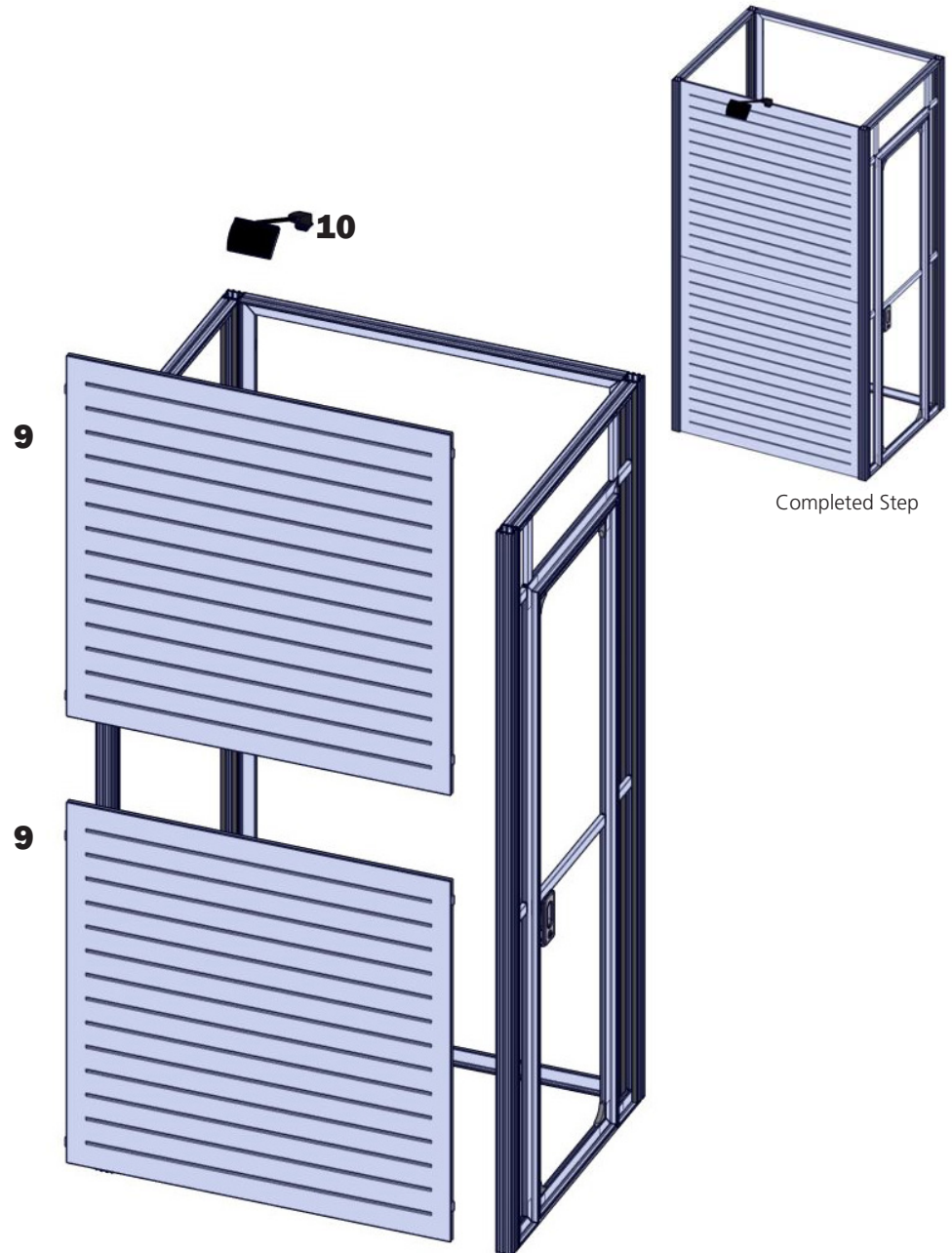
For this step you will need:



Slide the lock panels into the PM2S2 then using the Allen-T lock the panels into place.

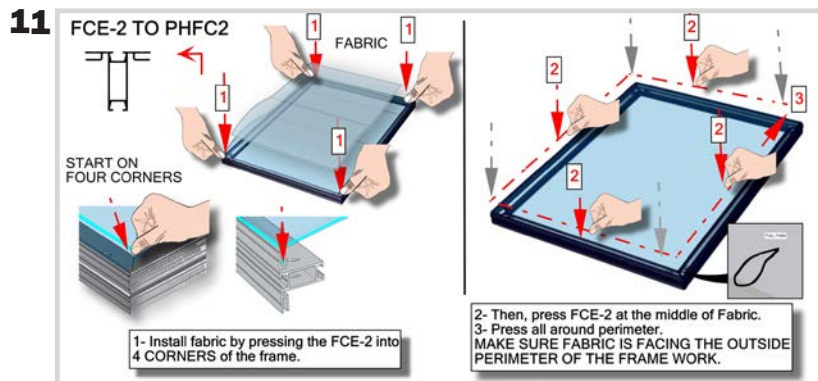
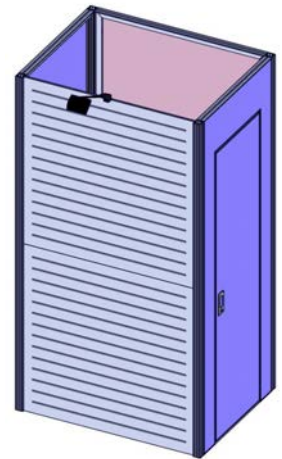
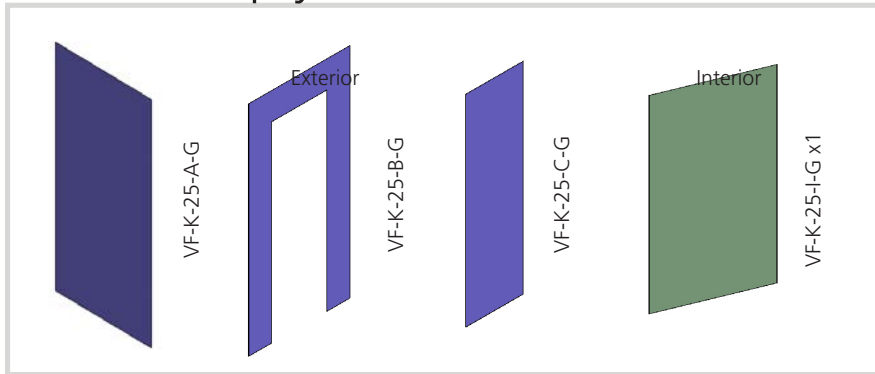


Using the bottom clip attached to the light slip the plastic bottom into the channel on top of the lock panel.

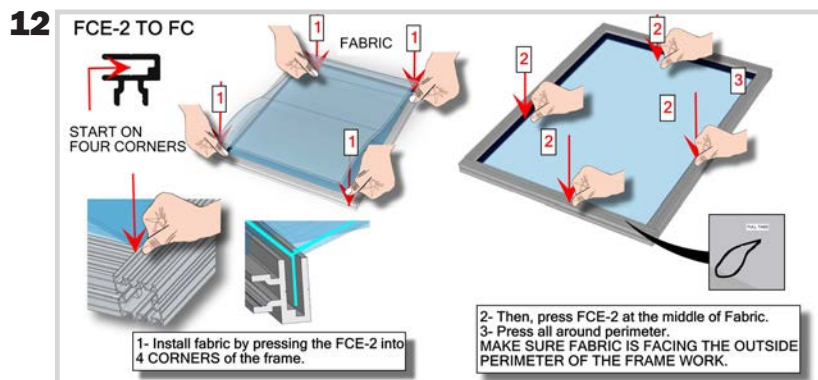


# Closet Graphic Application

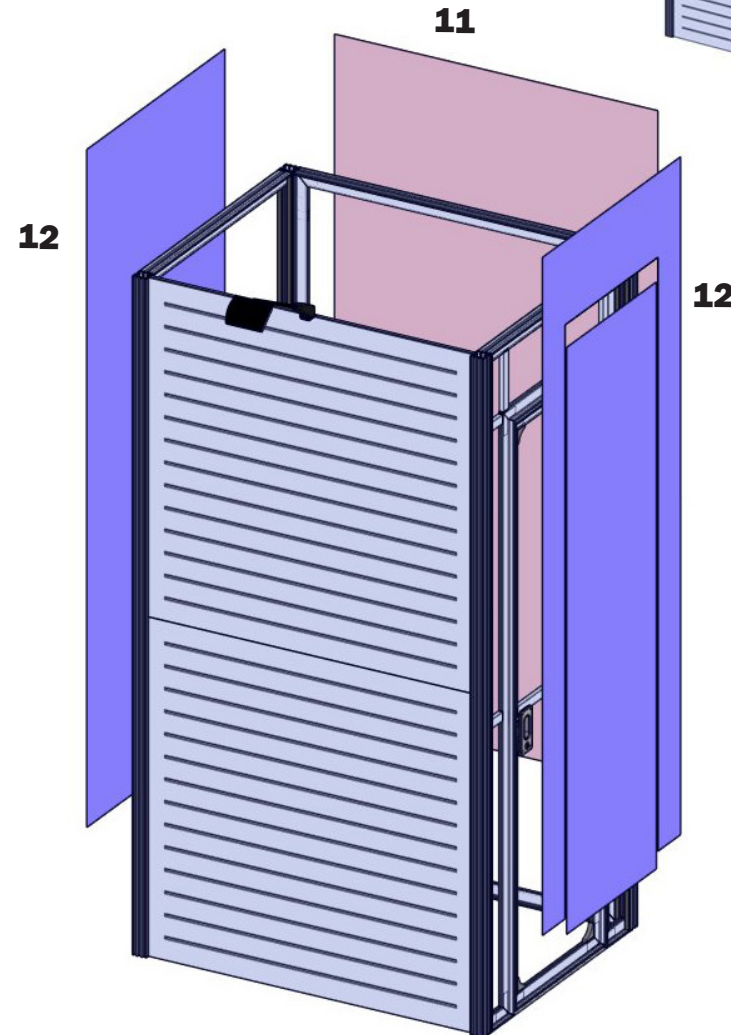
For this step you will need:



Place the FCE-2 part of the graphic into the outer channels of the PHFC2.

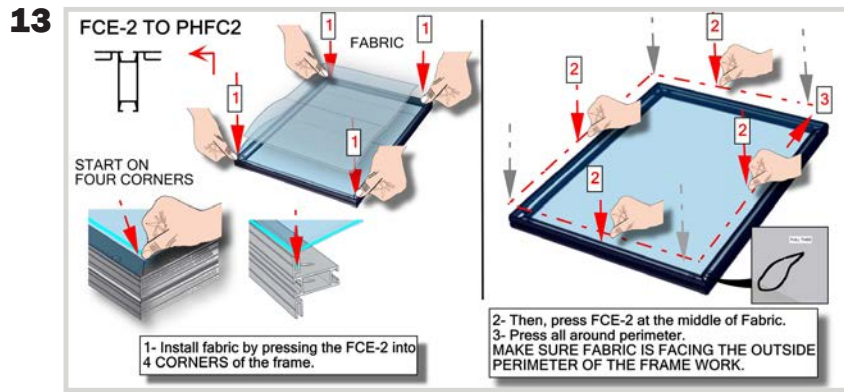


Place the FCE-2 part of the graphics into the FC channel that's attached to the PM2S2 extrusions.

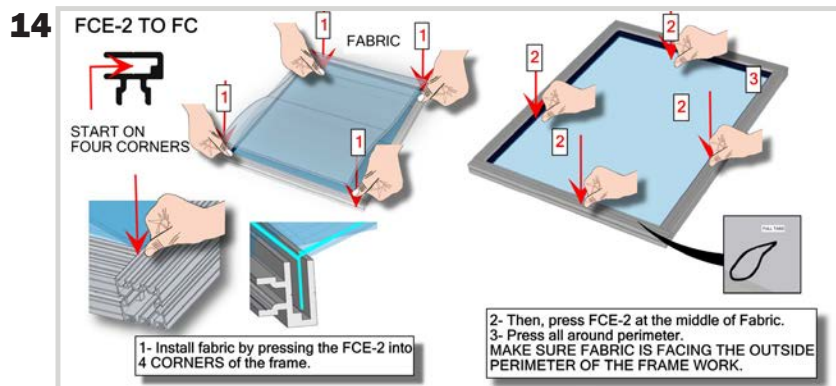


# Liner Application

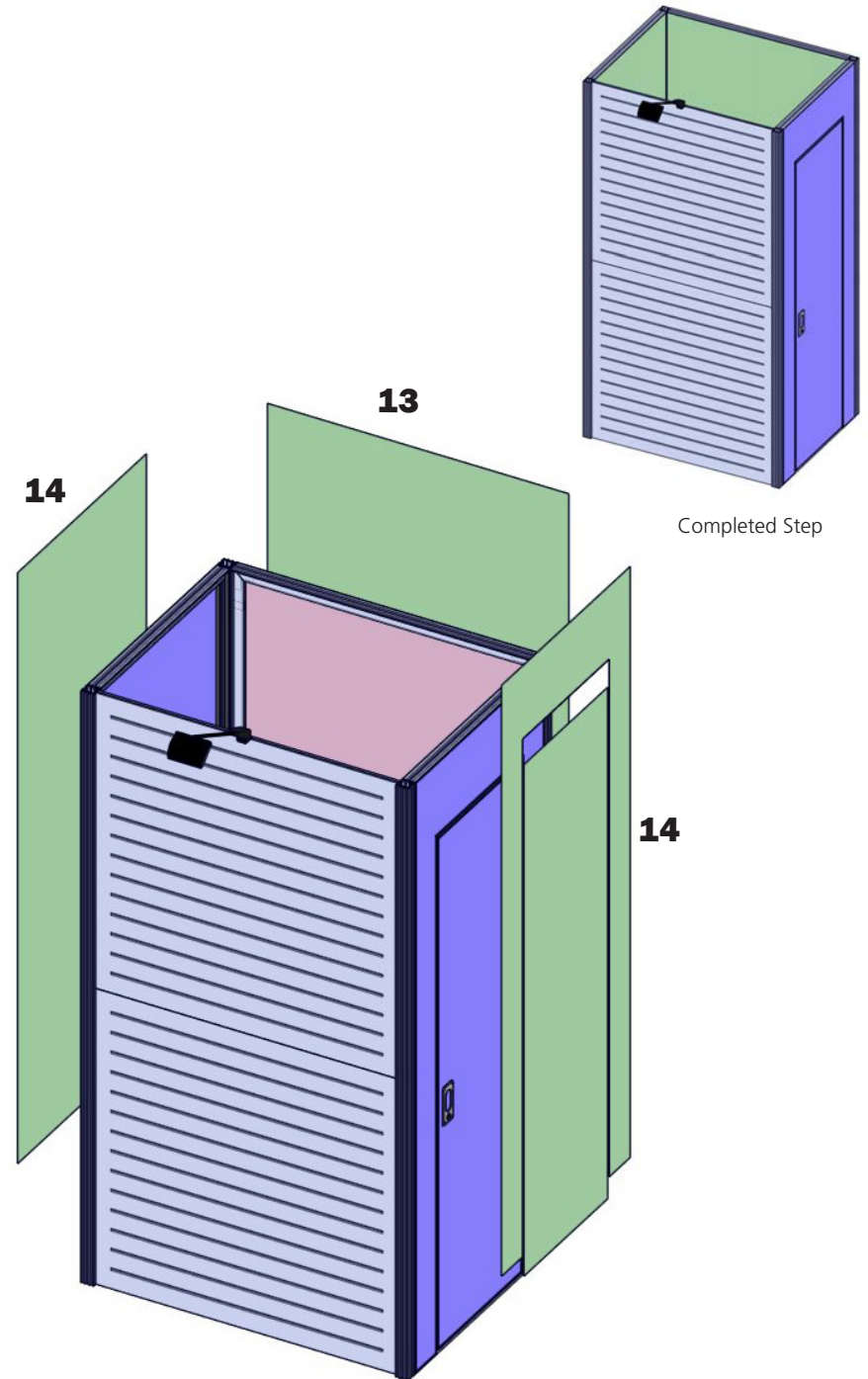
For this step you will need:



Place the FCE-2 part of the liner into the outer channels of the PHFC2.

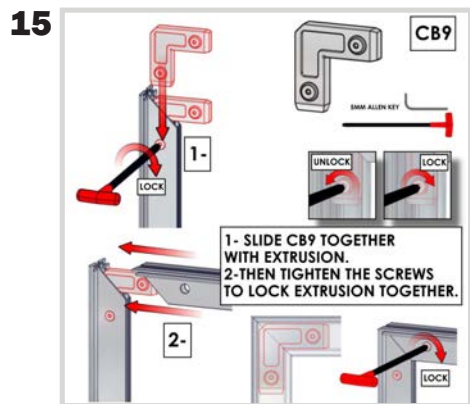
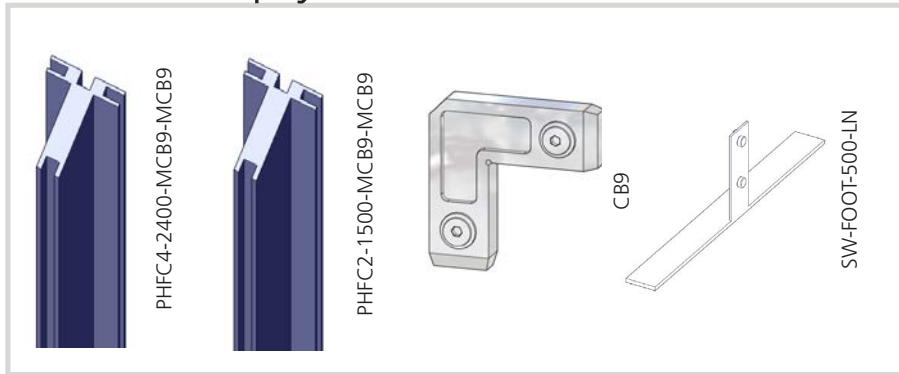


Place the FCE-2 part of the liner into the FC channel that's attached to the PM2S2 extrusions.

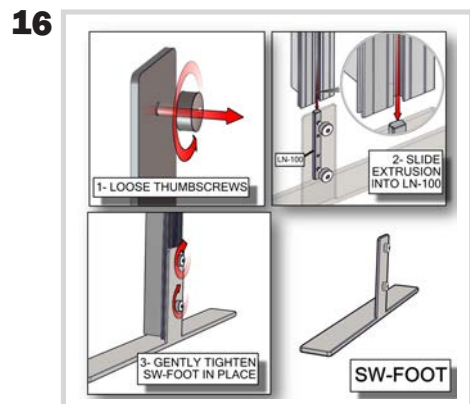


# Backwall Assembly

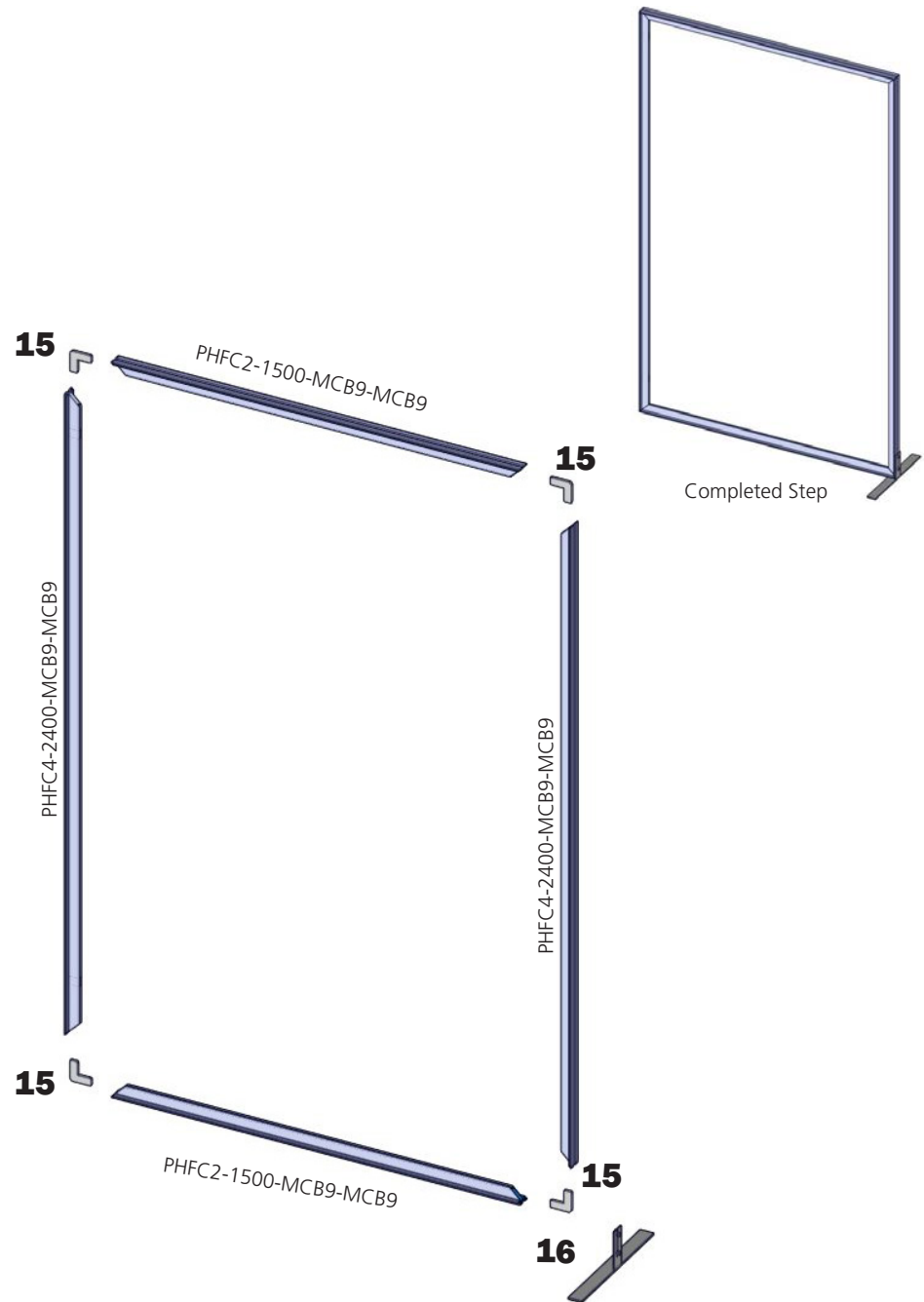
For this step you will need:



Attach the backwall together using the Allen Tool and the CB9 Connectors.

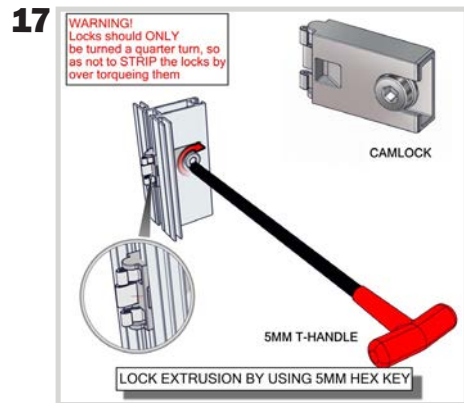
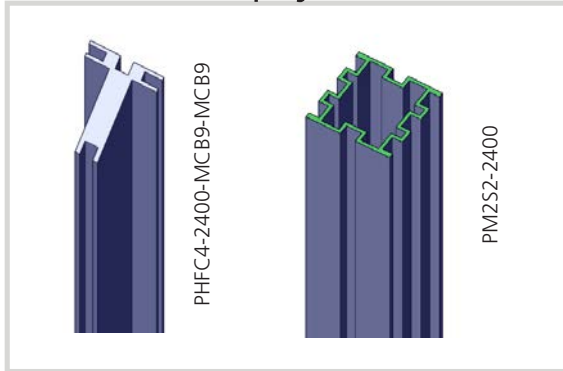


Slide the baseplate on the side of the extrusion in the channel then screw in place with the thumbscrew.

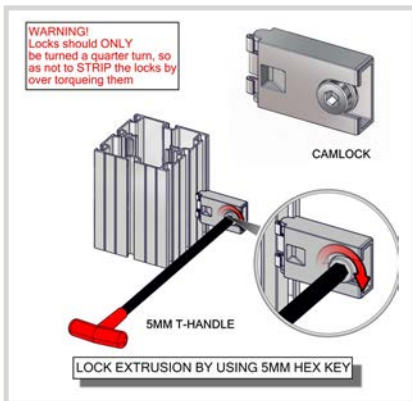


# Closet and Backwall Assembly

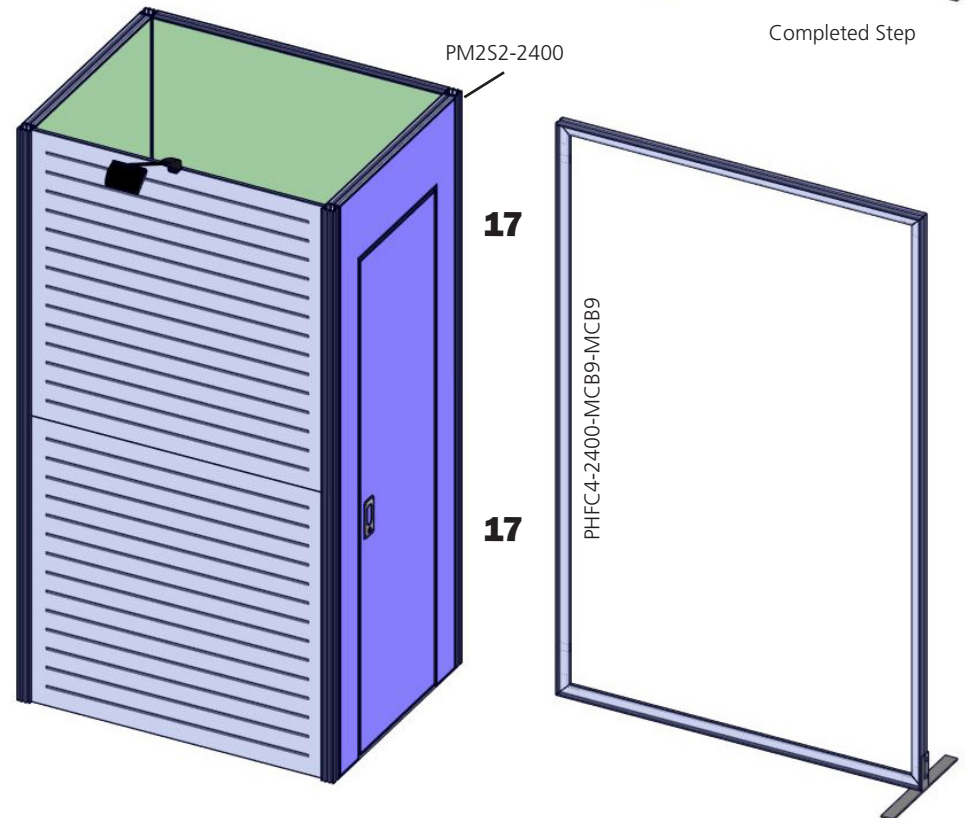
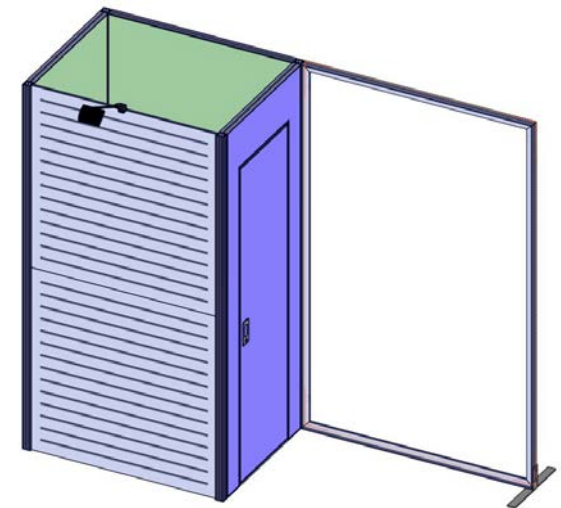
For this step you will need:



Inside the PHFC2s are cam locks.



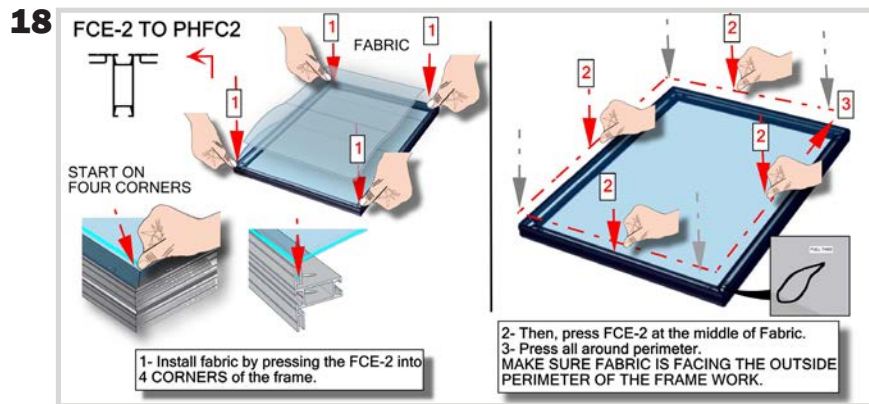
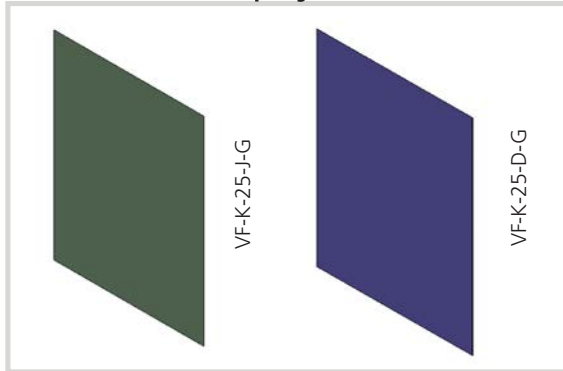
These will attach the PHFC2 to the side of the PM2S2. So you can connect your closet and backwall.



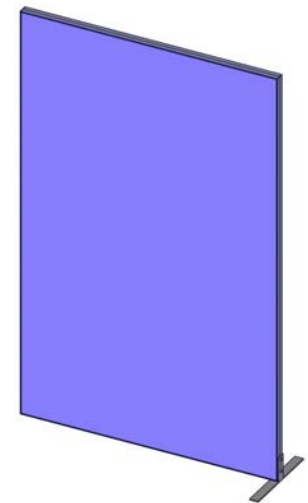


# Backwall Graphic & Liner Application

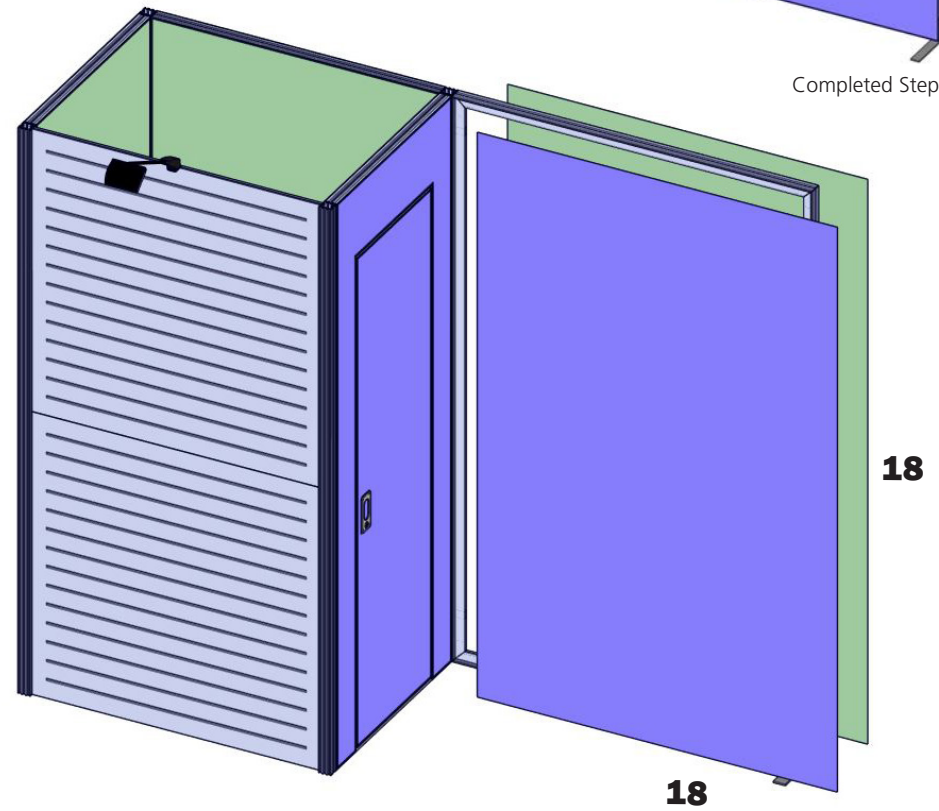
For this step you will need:



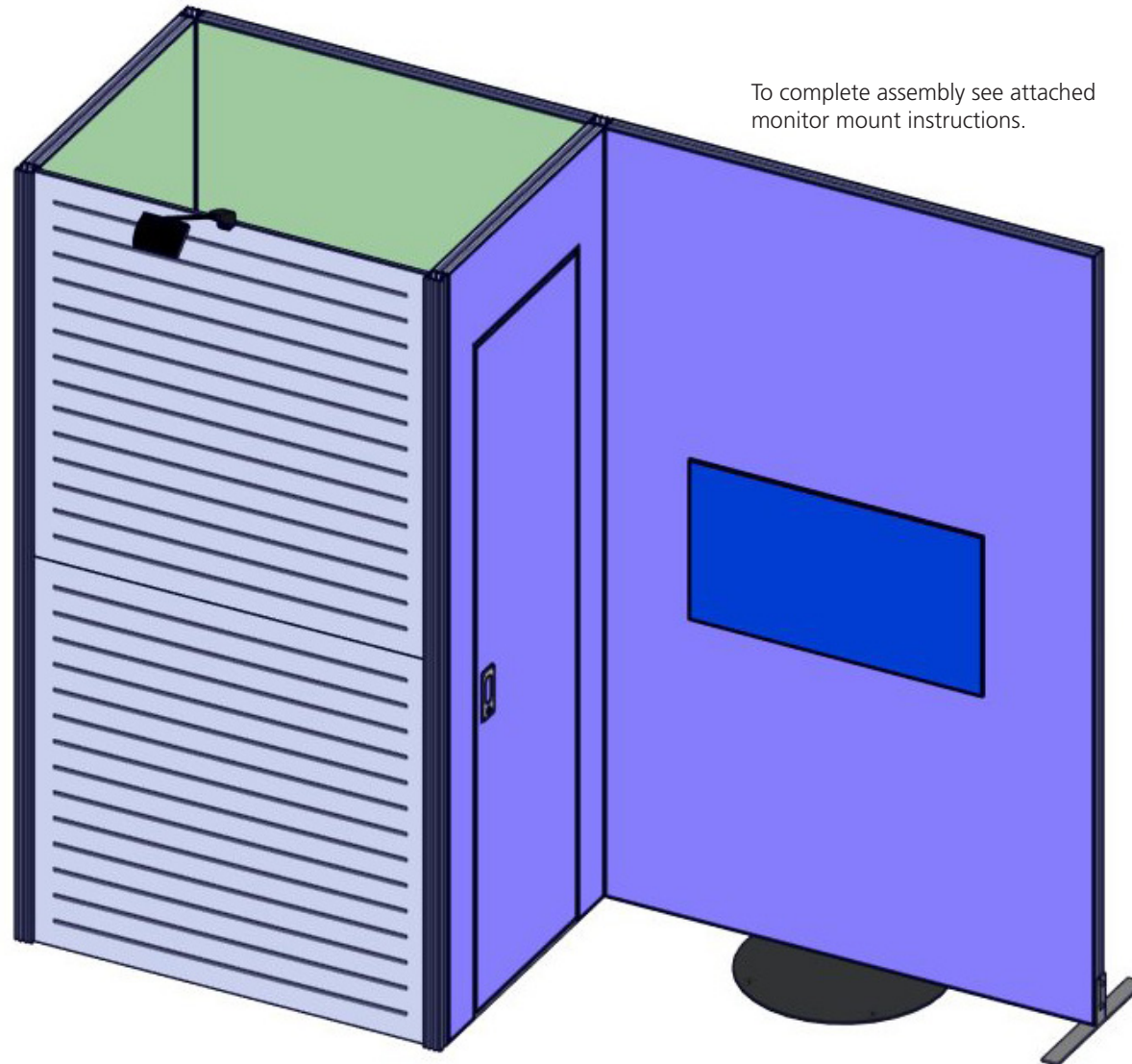
Place the FCE-2 part of the graphic and liner into the outer channels of the PHFC2.



Completed Step



# Completing your Kit



# Free Standing Split Monitor Kiosk

## FREESTANDING-SPLIT-MM-2

The Freestanding Monitor Kiosk supports large screen LCDs and plasma flat panel monitors for use in trade show exhibits, at events and in all types of interior spaces. Video is an excellent way to show your large scale products, solutions and explain your services face to face. This elegant, stand-alone display supports a TV with a maximum weight of 40 lbs.



## features and benefits:

- Standard black aluminum post and base
  - Quick to set up
  - Weighted base for added stability
  - Supports large monitor 32-70"
  - Max TV weight = 40 lbs
  - Monitor not included
- Kit includes: Top pole, bottom pole, counter, base, monitor mount assembly
  - Lifetime hardware warranty against manufacturer defects

## dimensions:

Hardware

Assembled unit:  
26.25" w x 75.25" h x 23.56" d  
667mm(w) x 1912mm(h) x 599mm(d)

Approximate weight:  
45 lbs / 21 kg

Shipping

Packing case(s):  
1 Box(es)

Shipping dimensions:  
34" l x 28" h x 7" d  
864mm(l) x 712mm(h) x 178mm(d)

Approximate total shipping weight:  
50 lbs / 23 kg

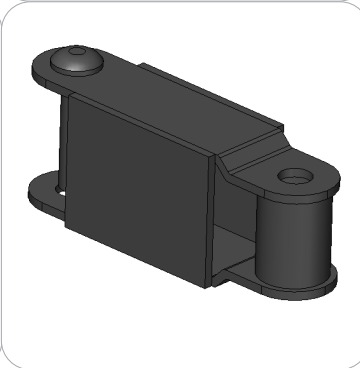
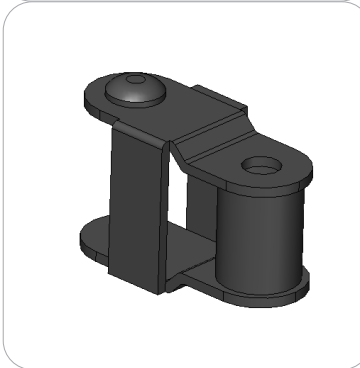
## additional information:

When included in a larger kit, a different packaging solution will be listed to accommodate all contents of the kit. Individual packaging no longer provided.

We are continually improving and modifying our product range and reserve the right to vary the specifications without prior notice. All dimensions and weights quoted are approximate and we accept no responsibility for variance. E&OE. See Graphic Templates for graphic bleed specifications.

# Included In Your Kit

Tools, Components, & Connectors



TOP POLE x1

BOTTOM POLE x1

COUNTER x1

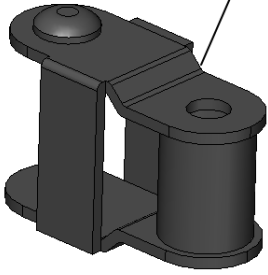
FREESTANDING-SPLIT-EXT-2 x1

FREESTANDING-SPLIT-EXT-4 x1

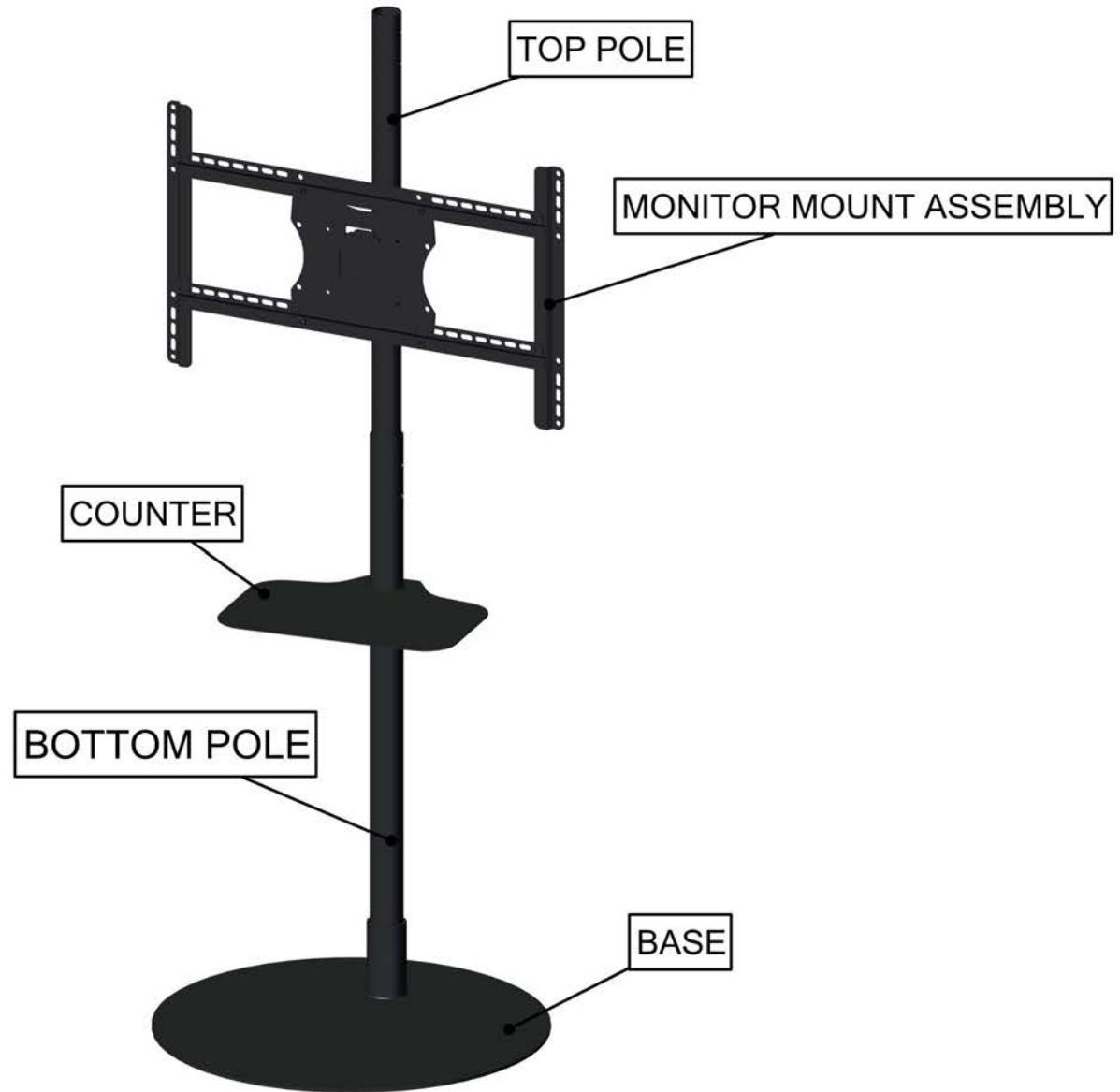
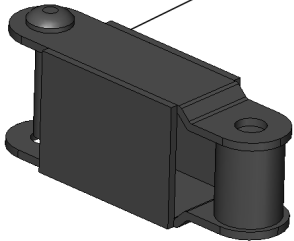
# Exploded Diagram

FREESTANDING-SPLIT-MM-2

FREESTANDING -SPLIT-EXT-2



FREESTANDING-SPLIT-EXT-4



# Kit Assembly

## Step by Step

### Step 1.

Gather the components to build the bottom section. Use the Exploded View for part labels.



### Step 2.

Gather the components to build the top section. Use the Exploded View for part labels.



### Step 3.

Gather the components to install counter. Use the Exploded View for part labels.



### Step 4.

Gather the components to attach monitor bracket. Use the Exploded View for part labels.

Reference Connection Method(s) 1 for more details.



# Kit Assembly

## Step by Step

### Step 5.

Gather the components to build the monitor supports. Use the Exploded View for part labels.



### Step 6.

Gather the components to attach supports to the monitor. Use the Exploded View for part labels.



### Step 7.

Setup is complete.



### Step 8.

2" & 4" EXTENTION HARDWARE

The extension parts help extend monitor 2" or 4" out from the stand, if needed for placement behind display or any other obstruction. More details follow this page.



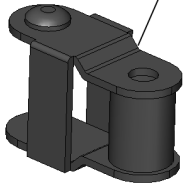
# Kit Assembly

## Step by Step

### Step 9.

Gather the components to attach 2" monitor supports. Use the Exploded View for part labels.

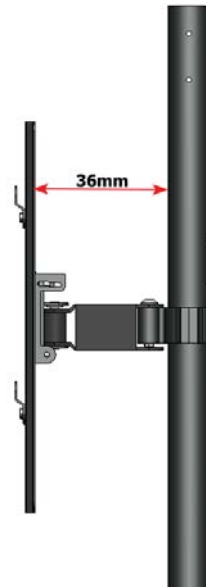
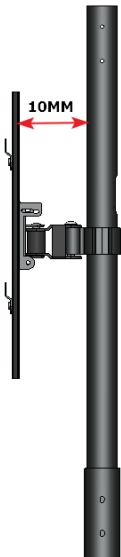
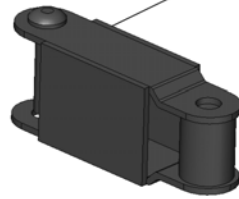
FREESTANDING-SPLIT-EXT-2



### Step 10.

Gather the components to attach 4" supports to the monitor. Use the Exploded View for part labels.

FREESTANDING-SPLIT-EXT-4





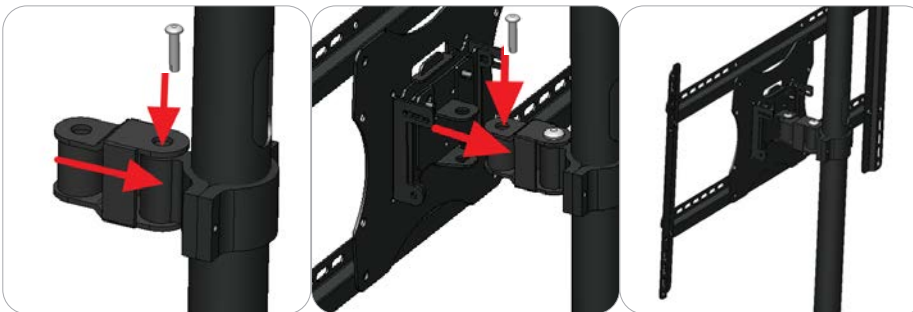
# Connection Methods

## Connection Method 1: ATTACH MOUNT TO STAND



First, attach bracket to stand using both hands to hold in place. Once front and back brackets are lined up, insert bolts. Tighten to ensure monitor mount does not move. Do not over tighten, may damage stand or hardware. Monitor should be attached last. Do not try to attach brackets with monitor attached. This may lead to damaging monitor or injury.

## Connection Method 2: ATTACH 2" FREESTANDING-SPLIT-EXT-2



First, attach bracket to stand using both hands to hold in place. Once front and back brackets are lined up, insert bolts. Tighten to ensure monitor mount does not move. Do not over tighten, may damage stand or hardware. Monitor should be attached last. Do not try to attach brackets with monitor attached. This may lead to damaging monitor or injury.

## Connection Method 3: ATTACH 4" FREESTANDING-SPLIT-EXT-4



First, attach bracket to stand using both hands to hold in place. Once front and back brackets are lined up, insert bolts. Tighten to ensure monitor mount does not move. Do not over tighten, may damage stand or hardware. Monitor should be attached last. Do not try to attach brackets with monitor attached. This may lead to damaging monitor or injury.