

Vector Frame Master Kit 05

Stand apart from the competition with a clean, sophisticated 10' x 10' or 10' x 20' Vector Frame™ exhibit kit. These graphic mural kits feature square-corner 50mm extrusion frames and push-fit fabric graphics that cover the entire frame. Vector Frame Essential kits are easy to assemble and disassemble.



features and benefits:

- 50mm silver extrusion frame
- Single-sided fabric graphics
- Easy step-by-step instructions
- Kit includes: one frame, seven fabric graphics, six LED floodlights, and two wheeled molded cases
- Lifetime hardware warranty against manufacturer defects

dimensions:

Hardware

Graphic

Assembled unit:
221.77" w x 94.5" h x 21.66" d
5633mm(w) x 2400mm(h) x 550mm(d)

Refer to related graphic template for more information.

Approximate weight:
131 lbs / 60 kg

Visit:
<https://tradeshowplus.com>

Shipping

additional information:

Packing case(s):
2 OCE

Graphic material:
Dye-sublimation SEG push-fit fabric

Shipping dimensions:
OCE: Expandable case length (l) may vary
40" - 66" l x 18" h x 18" d
1016mm-1677mm(l) x 458mm(h) x 458mm(d)

Approximate total shipping weight:
184 lbs / 83 kg



This product may include the following materials for recycle:
aluminum, select wood, fabric, cardboard, paper, steel, and plastics.

2 person assembly recommended:



We are continually improving and modifying our product range and reserve the right to vary the specifications without prior notice. All dimensions and weights quoted are approximate and we accept no responsibility for variance. E&OE. See Graphic Templates for graphic bleed specifications.

Included In Your Kit

Tools, Components, & Connectors



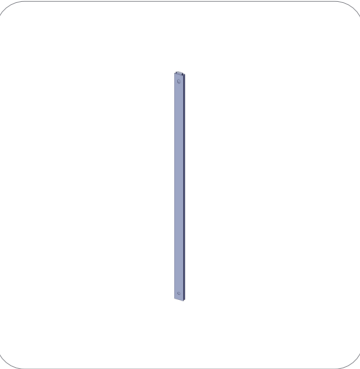
5MM ALLEN-T x1



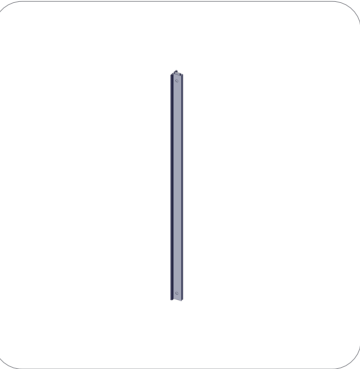
PHFC2-450-L-L x8



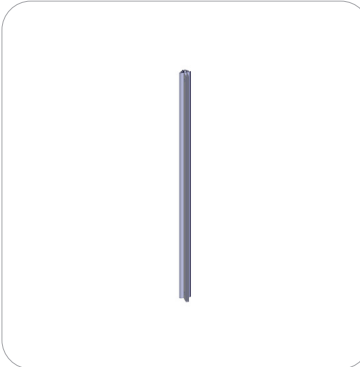
PHFC2-900-L-L1 x12



PH-1155-L1-S x6



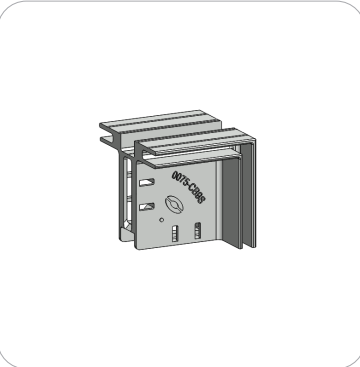
PHFC2-1155-L-L1 x4



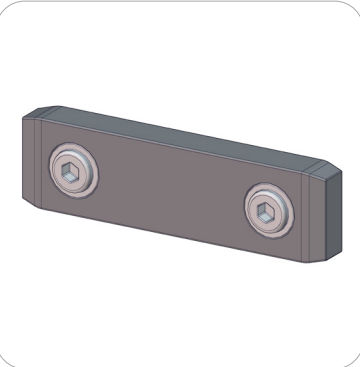
PMFC2-90-1193-L1-L1 x12



PMFC2-90-CAP x12



CB9-S x4



IB2 x17



LUM-200-ORL x6

Included In Your Kit

Graphics



VF-05-A-G x1



VF-05-B-G x1



VF-05-C-G x1



VF-05-D-G x1



VF-05-E-G x1



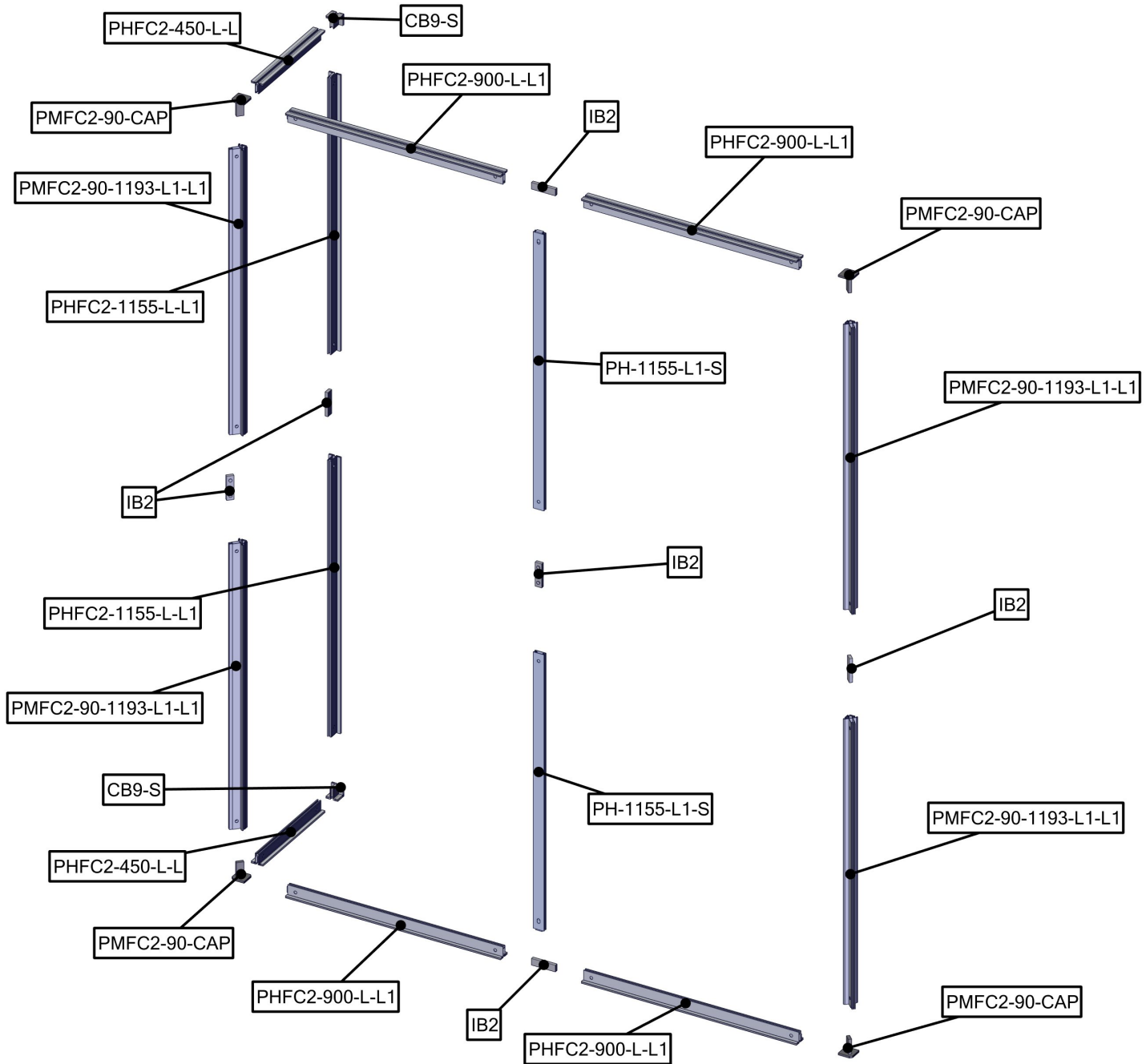
VF-05-F-G x1



VF-05-G-G x1

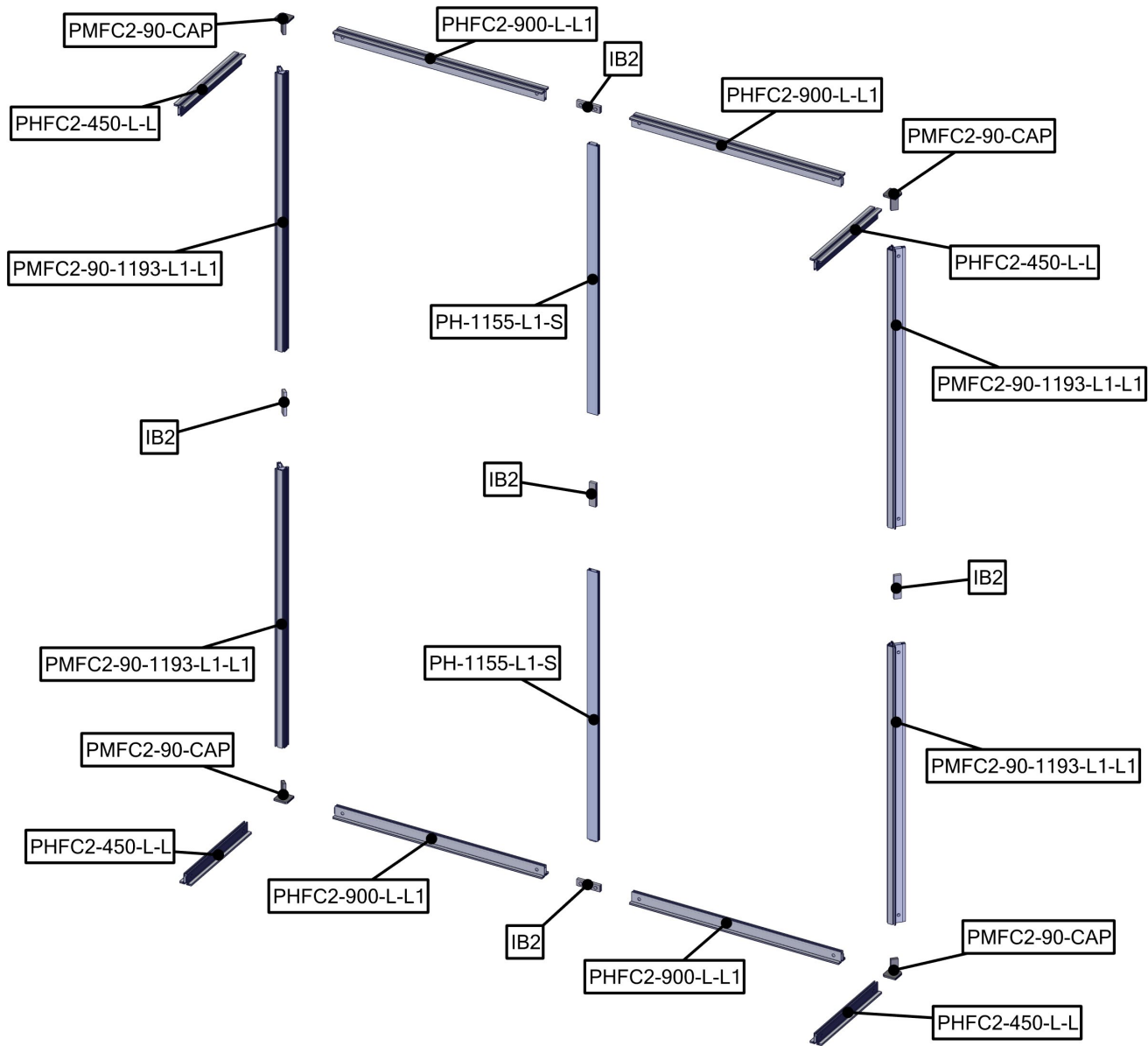
Exploded View

VF-K-05
Section 1



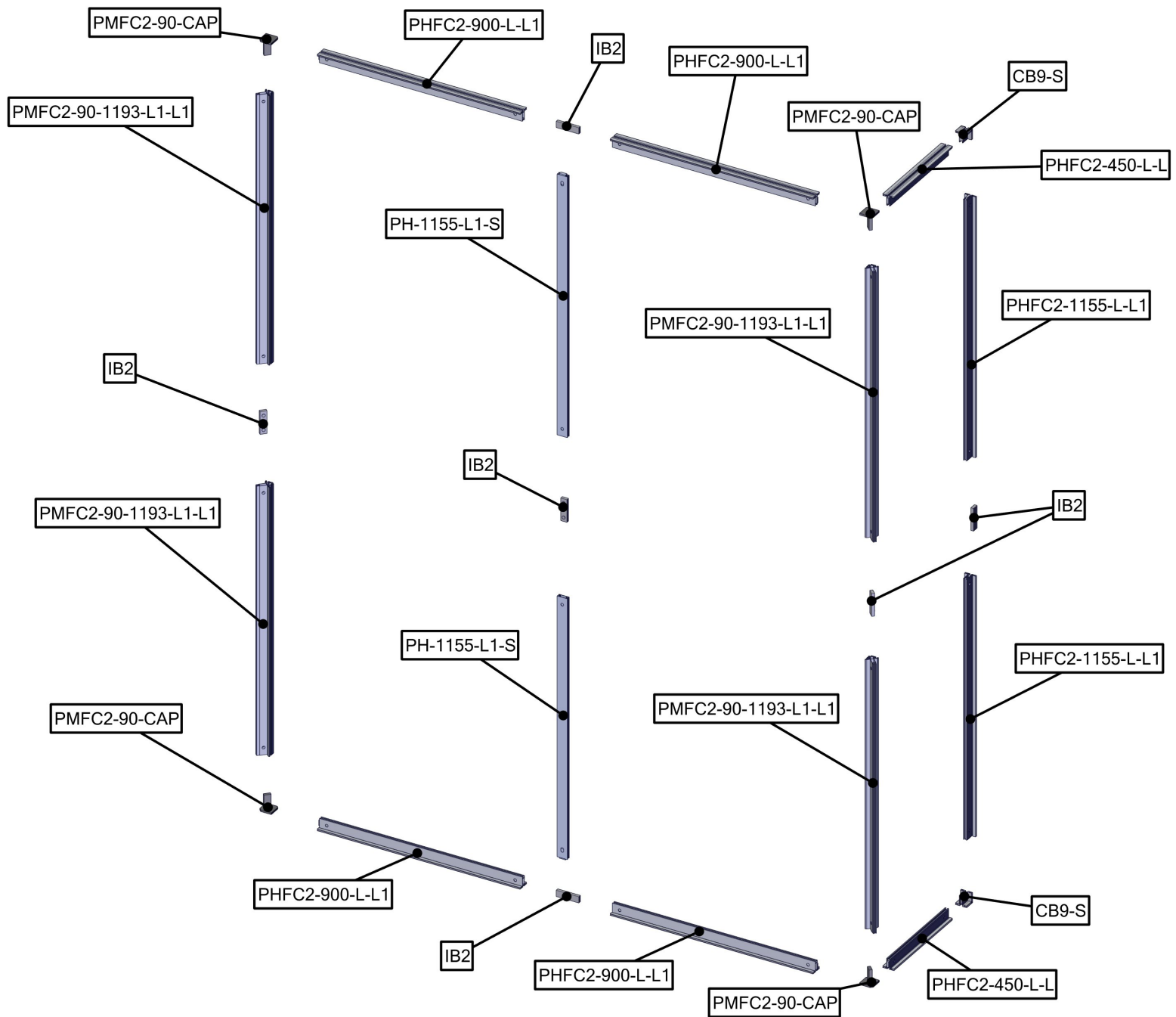
Exploded View

VF-K-05
Section 2



Exploded View

VF-K-05
Section 3



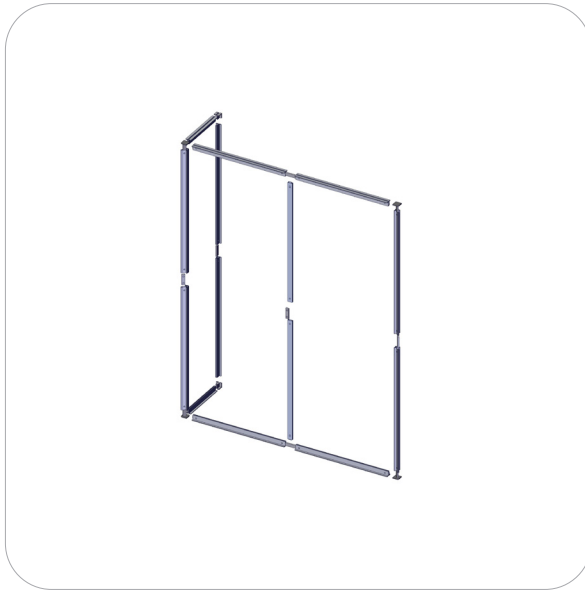
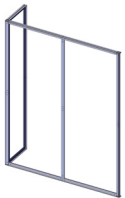
Kit Assembly

Step by Step

Step 1.

Gather the components to build the first section. Use the Exploded View for part labels.

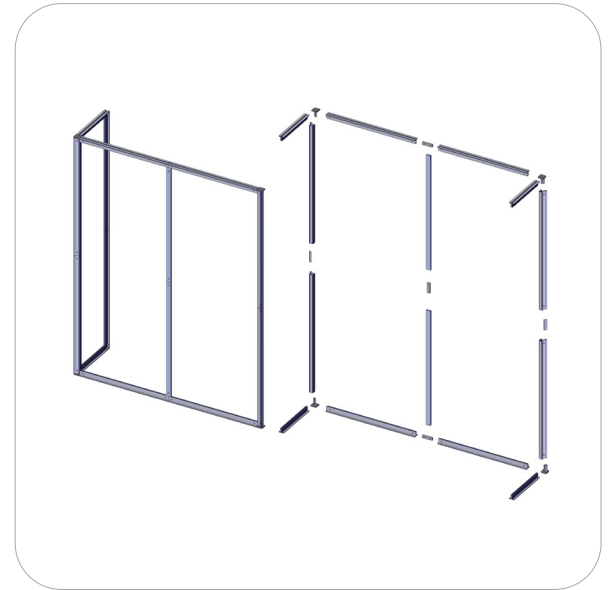
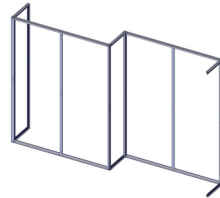
Reference Connection Method(s) 1, 2, 3, and 4 for more details.



Step 2.

Gather the components to build the second section. Connect the second section to the first. Use the Exploded View for part labels.

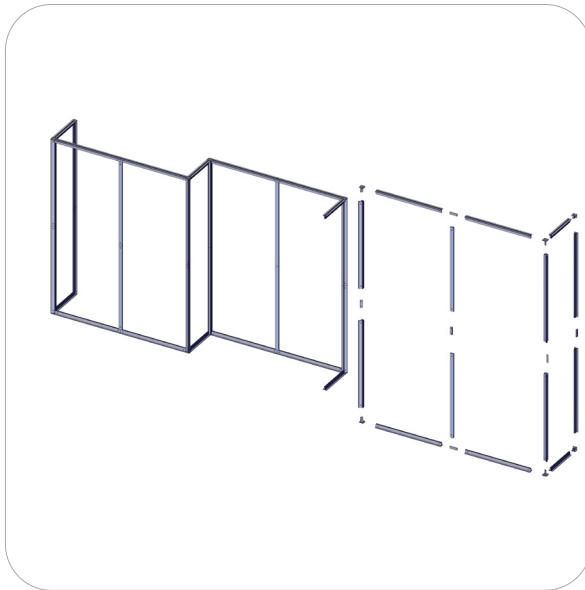
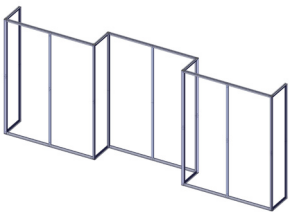
Reference Connection Method(s) 1, 2, 3, and 4 for more details.



Step 3.

Gather the components to build the third section. Connect the third section to the rest of the frame. Use the Exploded View for part labels.

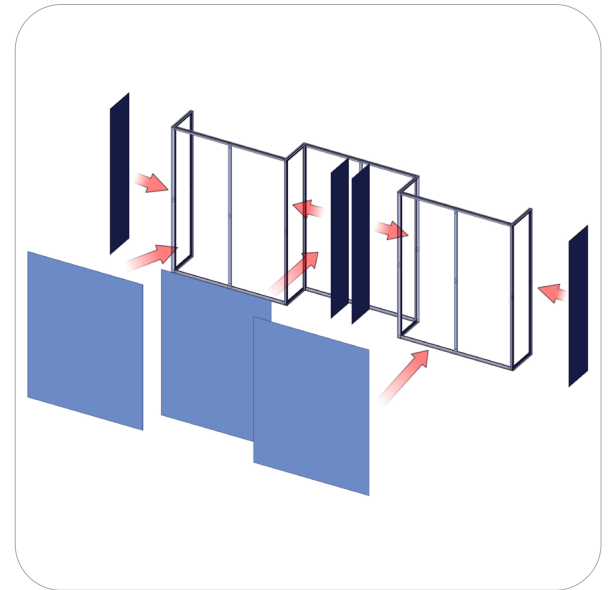
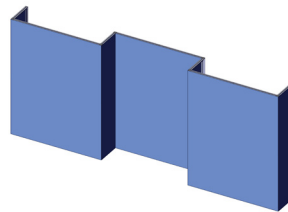
Reference Connection Method(s) 1, 2, 3, and 4 for more details.



Step 4.

Apply the graphics to each frame.

Reference Connection Method 5 for more details.



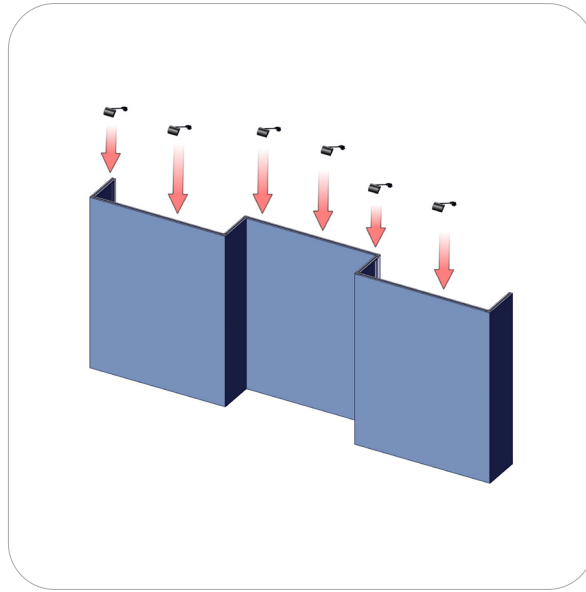
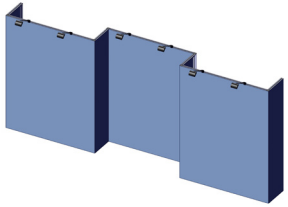
Kit Assembly

Step by Step

Step 5.

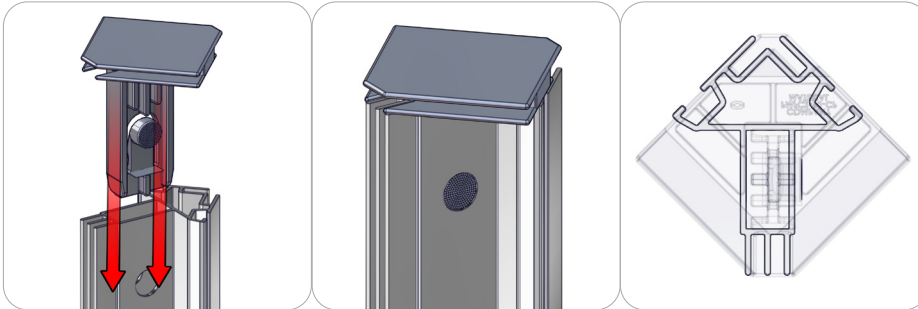
Attach the lights to the top of the frame.

Reference Connection Method 6 for more details.



Connection Methods

Connection Method 1: PMFC2-90-CAP



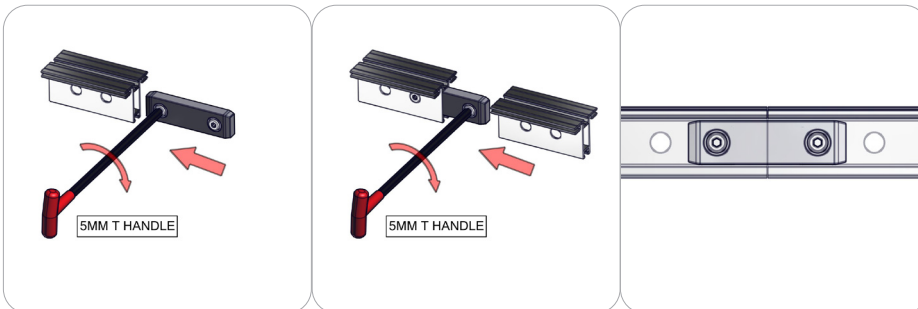
First, press button to insert the cap into the extrusion. The button will snap in place.

Connection Method 2: PMFC2 / PHFC2



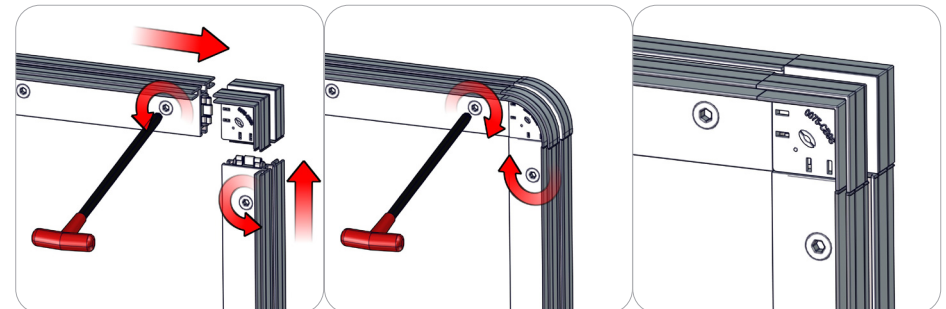
First, with the cam lock disengaged, place the cam lock teeth into the extrusion channel. Second, use the allen key tool to lock it in place. Make half turns clock-wise to engage the cam lock. Do not over tighten the lock buttons.

Connection Method 3: IB2



First, insert the in-line connector into the extrusion while holding in the lock button. Then, slide the next extrusion onto the same in-line connector again holding in the lock button. Finally, use the provided allen key to lock the in-line connector in place. Use the allen key tool to turn the lock buttons, make quarter turns and do not over tighten the lock buttons.

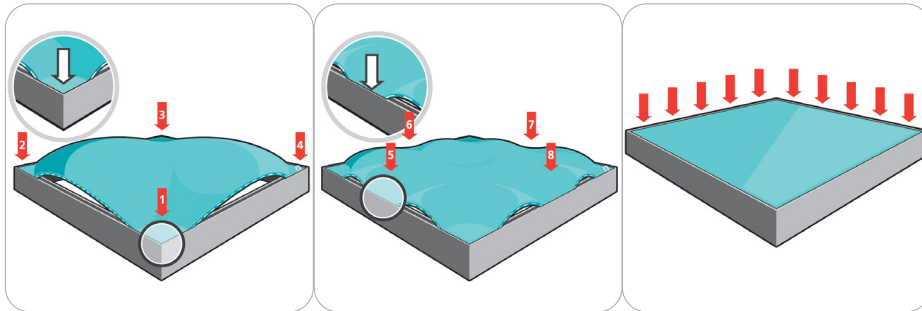
Connection Method 4: CB9-R / CB9-S



First, make sure the cam lock button is unlocked. Second, insert the cam lock teeth in to corner bracket channel. Third, tighten the cam lock button. Use the allen key tool to turn the lock buttons, make quarter turns and do not over tighten the lock buttons. Repeat for opposite end.

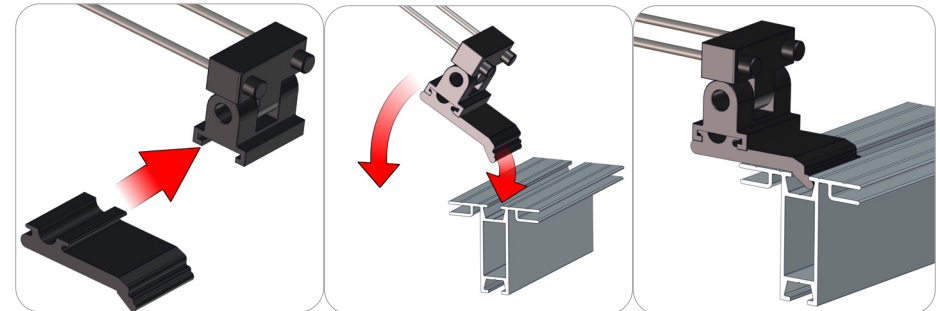
Connection Methods

Connection Method 5: Graphic Application



First, insert the silicone edge frame corners into the frame graphic channel (points 1 through 4).
Second, insert the silicone edge frame sides into the frame graphic channel (points 5 through 8).
Third, push the remaining silicone edge fabric into the frame graphic channel.
Similar setup is recommended for the opaque liner.
To remove these panels, simply pull the loop tag sewn near a corner.

Connection Method 6: LUM-200



First, slide the light clip into the dove tail end of the spot light. Second, rest the light clip into the extrusion channel. Make adjustments to the spot light if necessary.