

# Vector Frame Lightbox Rectangle 01

Vector Frame fabric light boxes feature durable 100mm aluminum extrusion frames, push-fit back-lit fabric graphics and LED top and bottom lighting. Single and double-sided graphic options are available. LED lights come adhered to the frame, making set-up as simple as assembling the frame, applying the push-fit graphics and plugging in the electrical cord!



## features and benefits:

- 100mm (4") silver extrusion frame
- Integrated LED lighting strips top & bottom
- Single or double-sided Backlit Intensity push-fit fabric graphics
- Easy assembly
- Comes packaged with one OCE wheeled molded case for transport and storage
- Lifetime hardware warranty against manufacturer defects

## dimensions:

### Hardware

### Graphic

Assembled unit:  
36.25" w x 47.5" h x 19.7" d  
921mm(w) x 1206mm(h) x 500mm(d)

Refer to related graphic template for more information.

Approximate weight with case:  
51 lbs / 22 kgs

Visit:  
<https://www.tradeshowplus.com>

### Shipping

## additional information:

Packing case(s):  
1 OCE

Graphic material:  
Backlit Intensity push-fit fabric graphic

Shipping dimensions:  
OCE: Expandable case length (l) may vary  
40" - 66" l x 18" h x 18" d  
1016mm-1677mm(l) x 458mm(h) x 458mm(d)

When included in a larger kit, a different packaging solution will be listed to accommodate all contents of the kit. Individual packaging no longer provided.

Approximate total shipping weight  
(includes cases & graphics):  
53 lbs / 24 kgs



This product may include the following materials for recycle:  
aluminum, select wood, fabric, cardboard, paper, steel, and plastics.

1 person assembly recommended:



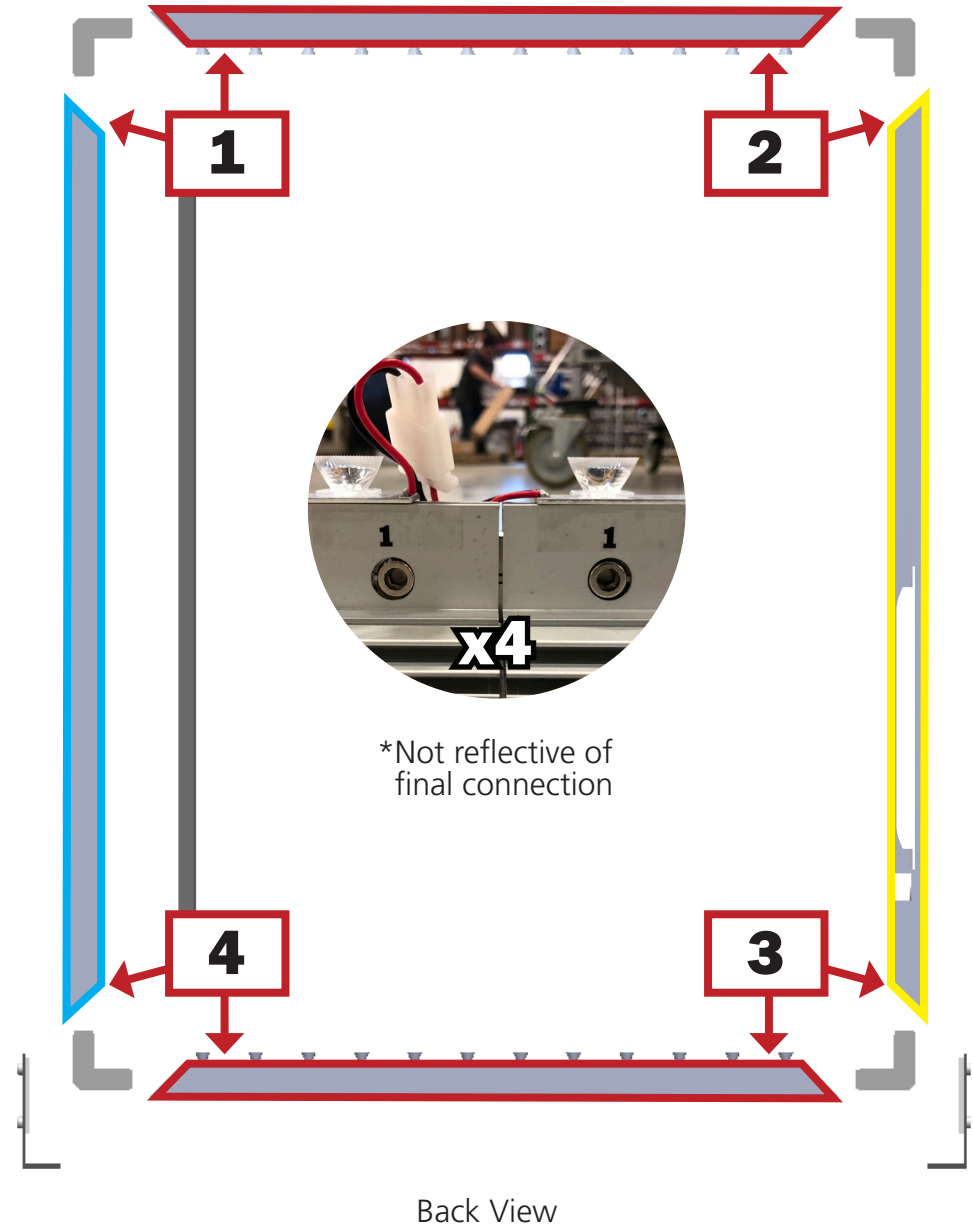
We are continually improving and modifying our product range and reserve the right to vary the specifications without prior notice. All dimensions and weights quoted are approximate and we accept no responsibility for variance. E&OE. See Graphic Templates for graphic bleed specifications.

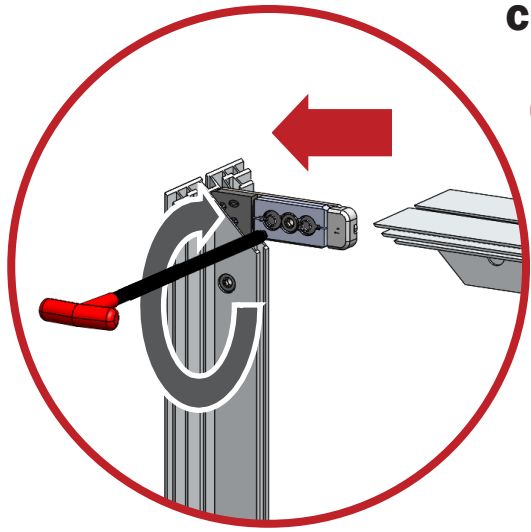
\*Not to scale

PHFC4-900-MCB9-MCB9  
W/LED-WHT-DB-800 (x2)

PHFC4-1200-MCB9-MCB9-GR  
W/LED-DB-PWRSUPPLY-2 (x1)

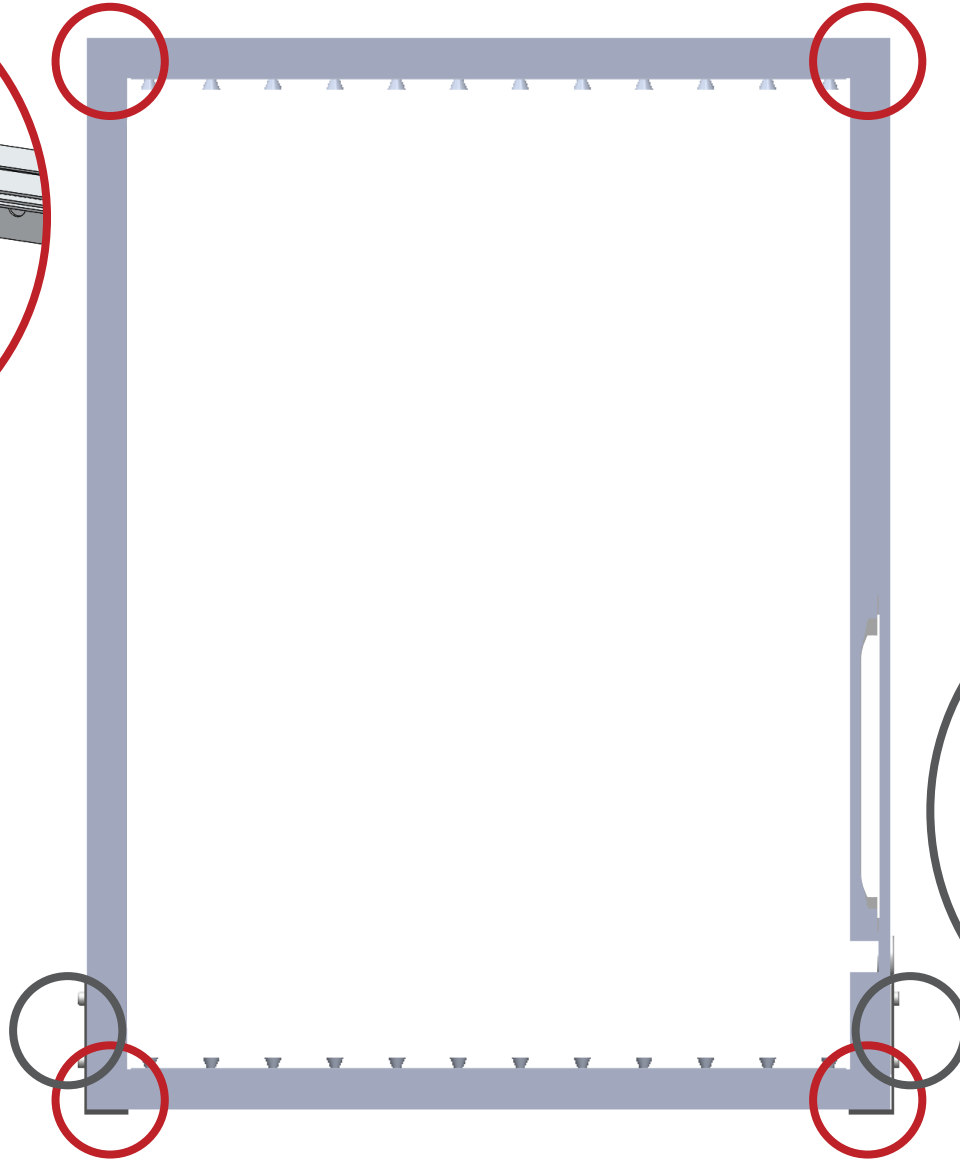
\*LED light strips and power supply(s) come preattached to respective extrusions



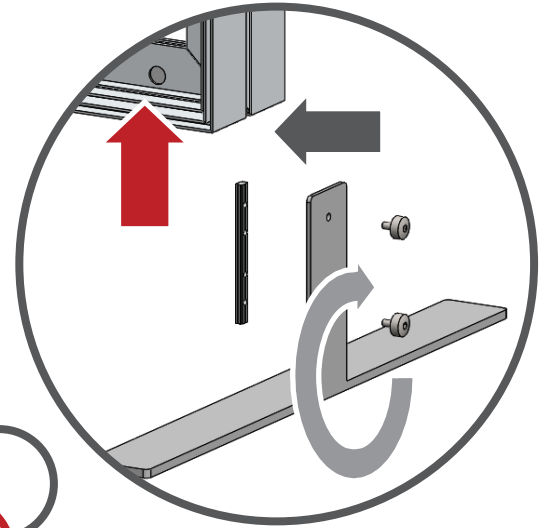
**CB9**

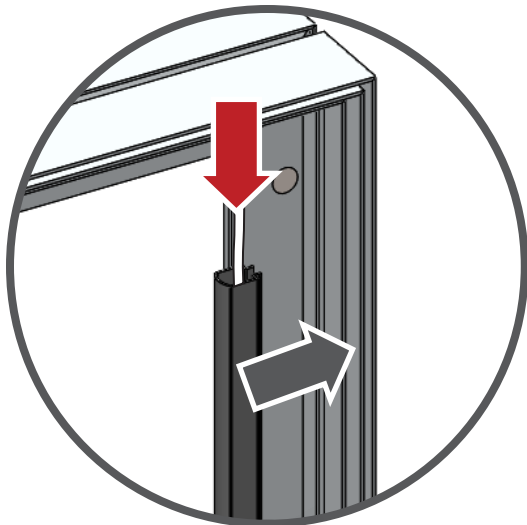
**CB9**



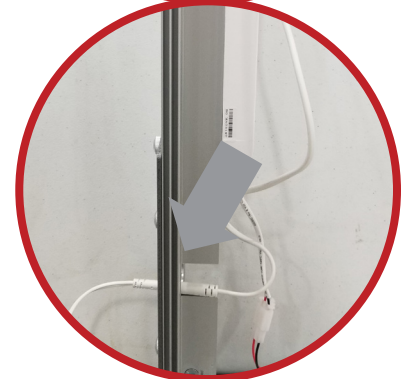
**CB9**

**CB9**





\*Not reflective of final connection

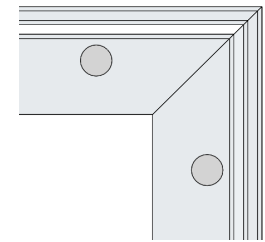
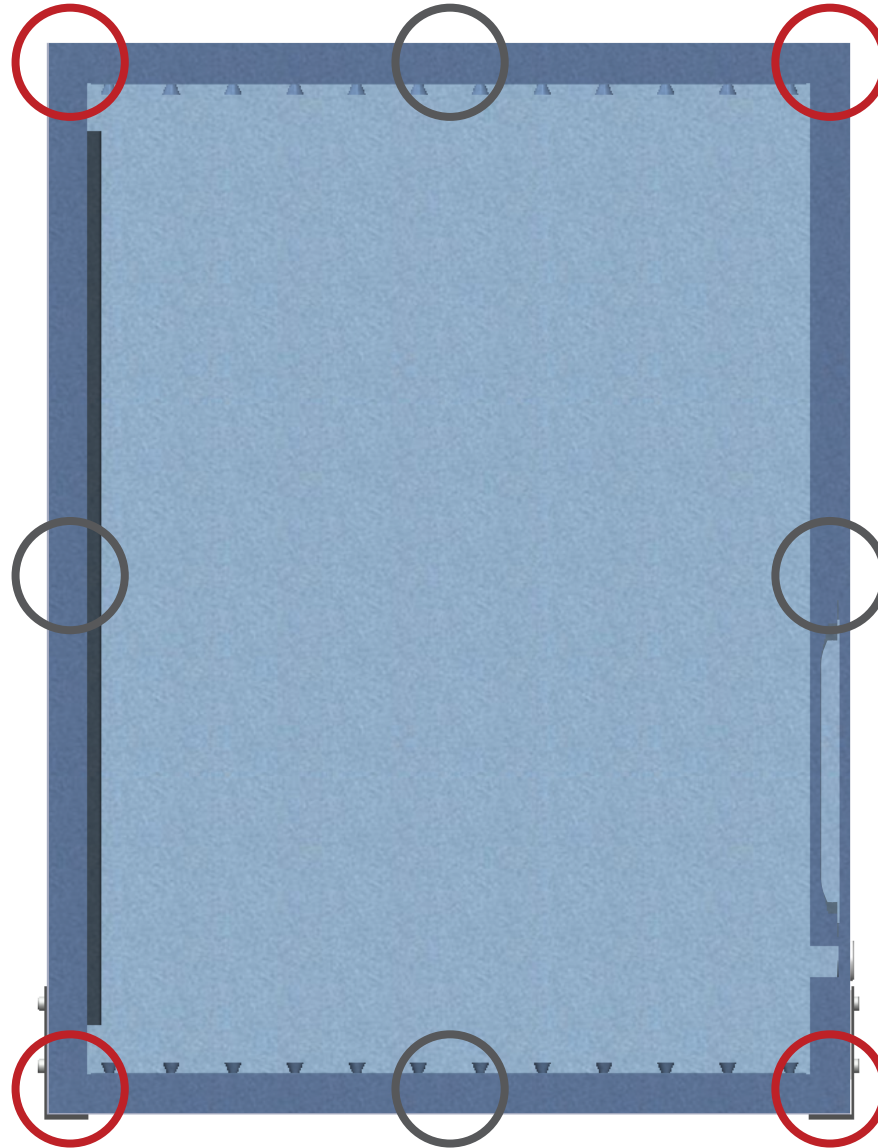




Fit graphic into corners,  
then "tap" into rest  
of frame channel.

"Sliding down" graphic  
is not recommended  
for best installation.

Repeat for backer.



Backer  
2nd channel

Graphic  
1st channel

