

# Vector Frame Counter 01

Vector Frame counters compliment the Vector Frame series of exhibit kits, but are also ideal for any stand-alone event or display. Vector Frame counters couple simple extrusion-based frames with push-fit graphics or rigid Sintra graphics. Tables are available in four colored finishes. Custom sizes also available.



## features and benefits:

- Feature push-fit fabric graphics and simple extrusion based frames
- Choose from four tabletop finishes
- Easy step-by-step instructions
- Access extra storage by removing one fabric panel
- OCH2 portable shipping case
- Lifetime limited warranty against manufacturer defects

## dimensions:

Hardware	Graphic
<p>Assembled unit: 39.37" w x 36.61" h x 22.44" d 1000mm(w) x 929.89mm(h) x 569.98mm(d)</p>	<p>Total visual area: Front &amp; Back Panels A &amp; C: 39.24" w x 35.31" h 997mm(w) x 897mm(h)</p> <p>Sides Panels B &amp; D: 21.52" w x 35.31" h 547mm(w) x 897mm(h)</p>
<p>Shipping</p> <p>Shipping dimensions - ships in 1 case: OCH2 case: 52" l x 30" w x 15" h 1300mm(l) x 750mm(w) x 400mm(h)</p> <p>Approximate shipping weight (entire kit): 72 lbs / 32.66 kgs</p>	<p>Please be sure to include a 2" bleed around the perimeter</p> <p>Refer to related graphic template for more information</p> <p>Visit: <a href="http://www.tradeshowplus.com">www.tradeshowplus.com</a></p>

## additional information:

Graphic material:  
Dye-sublimated fabric

Tabletop color options:



silver



black



mahogany



natural

Counter max weight = 30 lbs / 13.6 kgs

We are continually improving and modifying our product range and reserve the right to vary the specifications without prior notice. All dimensions and weights quoted are approximate and we accept no responsibility for variance. E&OE. See Graphic Templates for graphic bleed specifications.

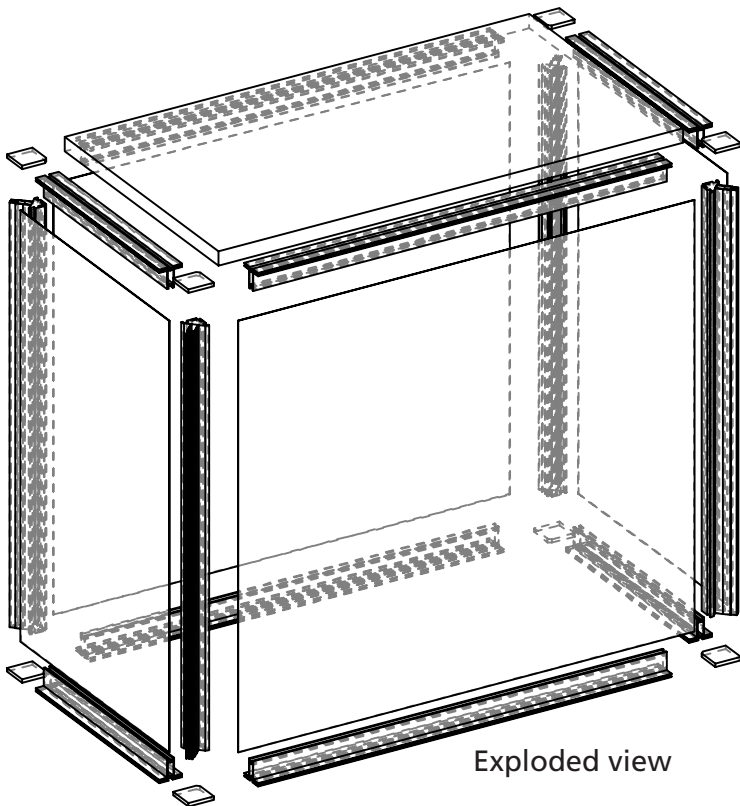
Parts Included:

Code	Qty	Description
F41	x4	450MM (17.72") PHFC2 EXTRUSION WITH LOCKS TWO ENDS
F57	x4	886MM (34.88") PMFC2-90 EXTRUSION - WITH IB2 LOCK HOLES BOTH SIDES
PMFC2-90 CAP	x8	PMFC2 90 DEGREE EXTRUSION CAP
F37	x4	900MM (35.43") PHFC2 EXTRUSION WITH LOCKS TWO ENDS
VFC-S-G-1	x2	543MM (21.37")W X 1000MM (39.38")H FABRIC GRAPHIC W/FCE-2 ALL SIDES
VFC-F-G-1	x2	993MM (39.09")W X 1000MM (39.38")H FABRIC GRAPHIC W/FCE-2 ALL SIDES
SW-CT-01	x1	COUNTERTOP FOR VECTOR COUNTER

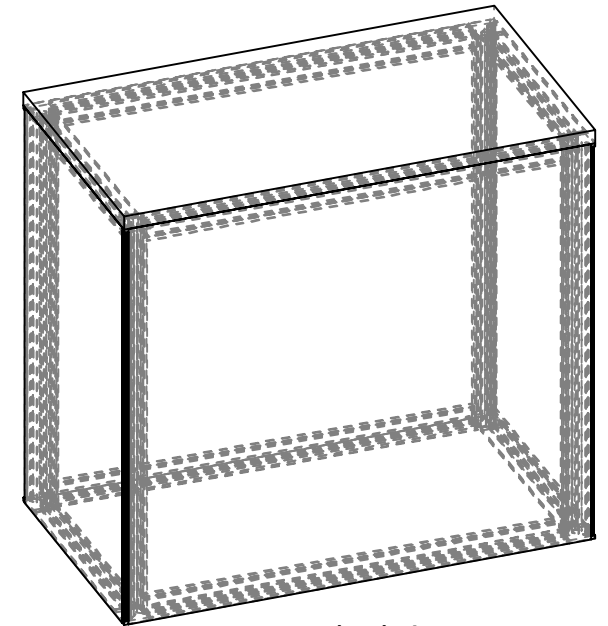
# VFC-01



Overhead view



Exploded view

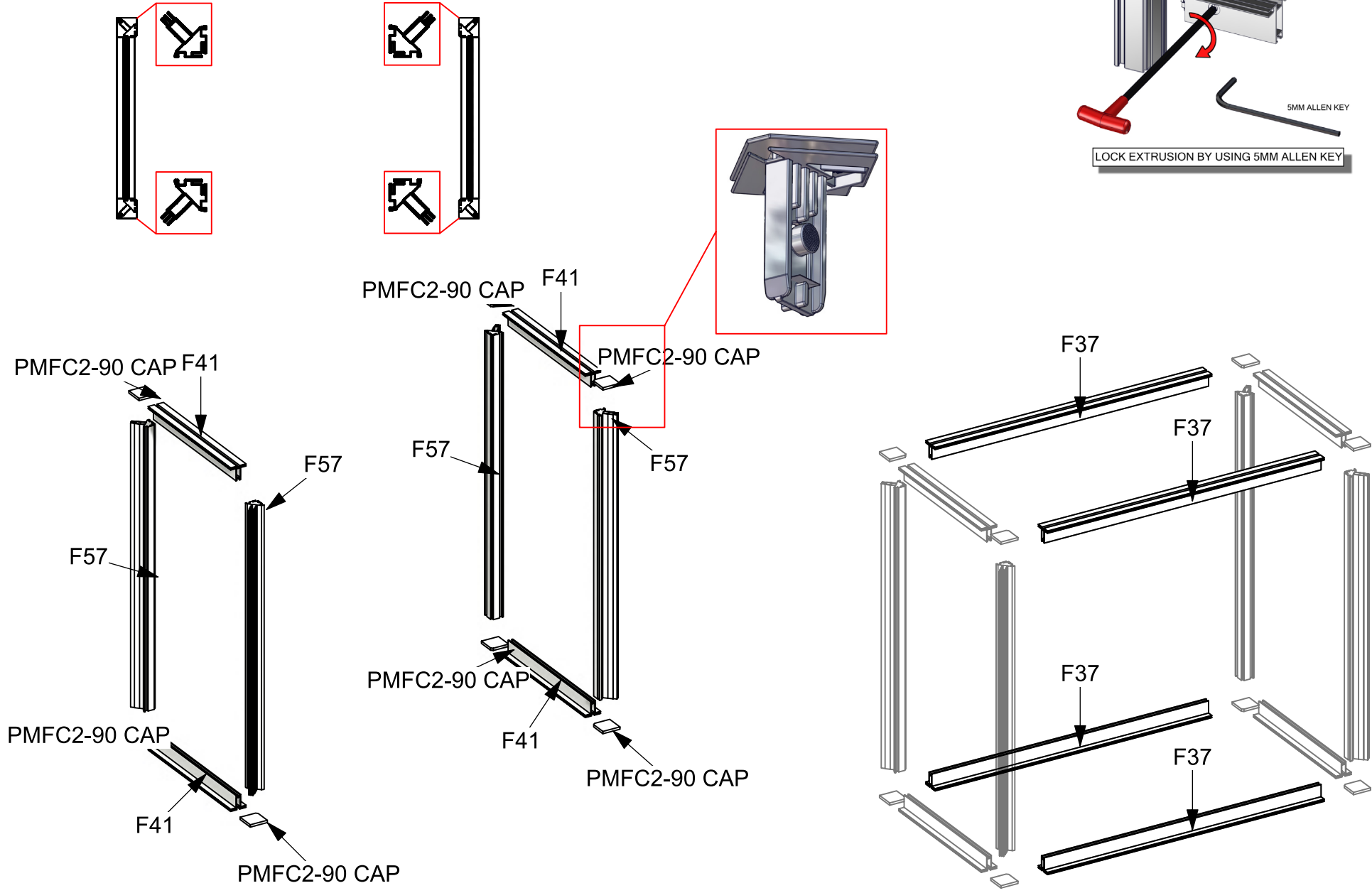
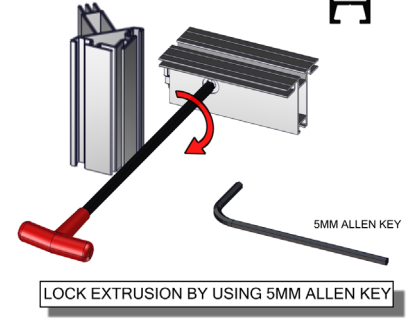
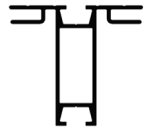


Assembled view

## Step 1: Assemble Counter Frame

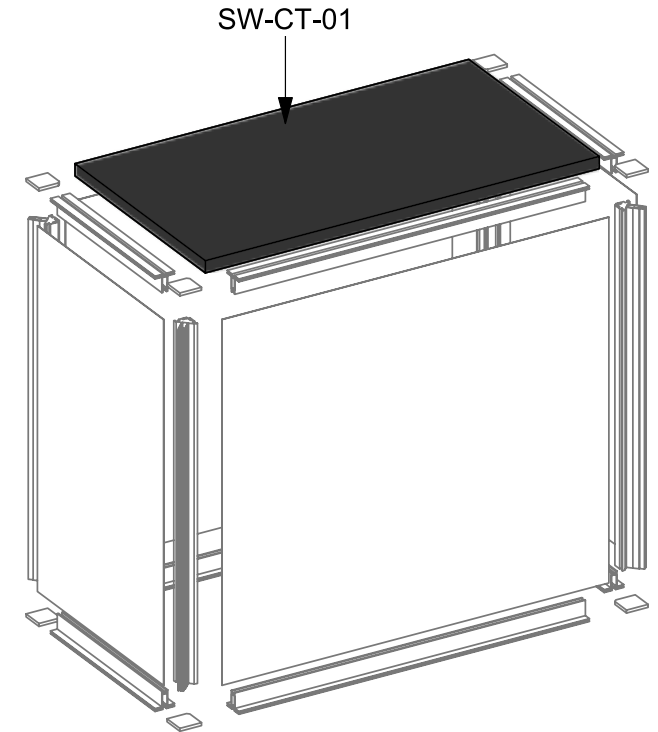
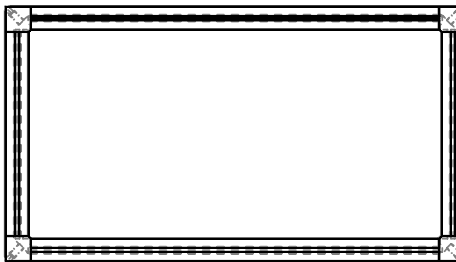
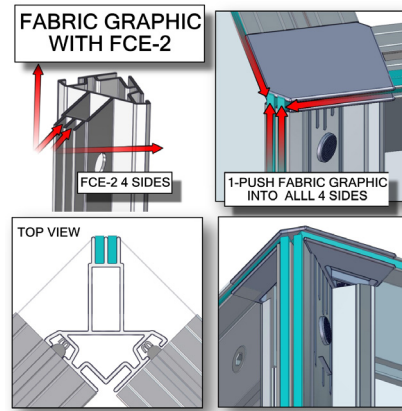
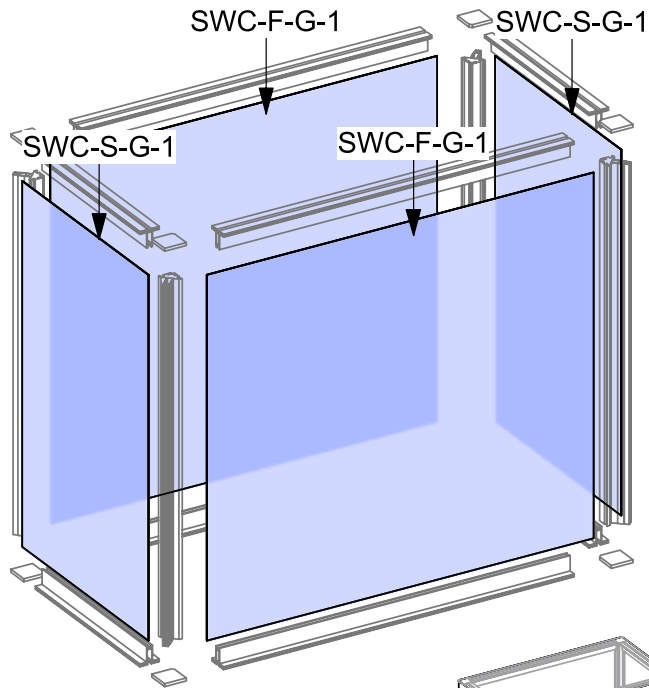
Arrange pieces on the floor as shown in the diagram below. Assemble frame by locking F37 and F41 to the F57s. When locking be sure to turn each cam a little bit and then go back and tighten to the proper tension. Take care to turn locks only a quarter turn, so as to not strip the locks by over tightening.

**WARNING!**  
Locks should ONLY be turned a quarter turn, so as not to STRIP the locks by over torquing them



## Step 2: Apply Graphics & Attach Countertop

Apply push-fit fabric graphic(s) by pressing the FCE-2 edge of graphic into the channel of the extrusion. Start in upper left corner, go across the top and then down the sides to the bottom. Repeat for each side. Assure each graphic is tightly inserted. When taking graphics off, take care to gently pull by attached pull tab. Next, gently place the countertop onto the completed frame.



Push fabric with FCE-2 edge folded over into each corner of frame.



Press into the middle of the outside channel and continue around perimeter.



To remove graphic, use the pull tab and gently pull graphic from frame.