

# Vector Frame 4x10 Tower 04

The Vector Frame Modular Tower 04 is an impressive architectural structure utilizing push-fit fabric graphics and extrusion based frames to create a commanding display for any interior environment. Measuring 10'h and 4' square at the top and bottom, this rectangular display is the perfect statement piece. The Vector Frame Tower 04 can accommodate an internal lighting kit and a monitor mount kit (each sold separately) for added drama and additional messaging. Each kit comes with a molded, wheeled case for easy storage and transportation.



## features and benefits:

- 50mm silver extrusion frames
- Interchangeable pushfit SEG fabric graphics for all 4 sides
- Monitor Mount option available

- Kit includes: one frame, 4 SEG power stretch push fit fabric graphics panels, 1 opaque liner panel, and one wheeled storage case
- Lifetime hardware warranty against manufacturer defects

## dimensions:

Hardware	Graphic
<p>Assembled unit: 48" w x 120" h x 48" d 1219mm(w) x 3048mm(h) x 1219mm(d)</p> <p>Approximate weight with case: 56 lbs / 25 kgs</p>	<p>Refer to related graphic template for more information.</p> <p>One year warranty</p> <p>Visit: <a href="https://www.tradeshowplus.com">https://www.tradeshowplus.com</a></p>

Shipping	additional information:
----------	-------------------------

<p>Packing case(s): 1 OCE</p> <p>Shipping dimensions: OCE: Expandable case length (l) may vary 18" l x 40" h - 66" h x 18" d 458mm(l) x 1016mm-1677mm(h) x 458mm(d)</p> <p>Approximate total shipping weight (includes cases &amp; graphics): 91 lbs / 42 kgs</p>	<p>Graphic material: Power stretch push-fit fabric graphic</p> <p>When included in a larger kit, a different packaging solution will be listed to accommodate all contents of the kit. Individual packaging no longer provided.</p>
---	---



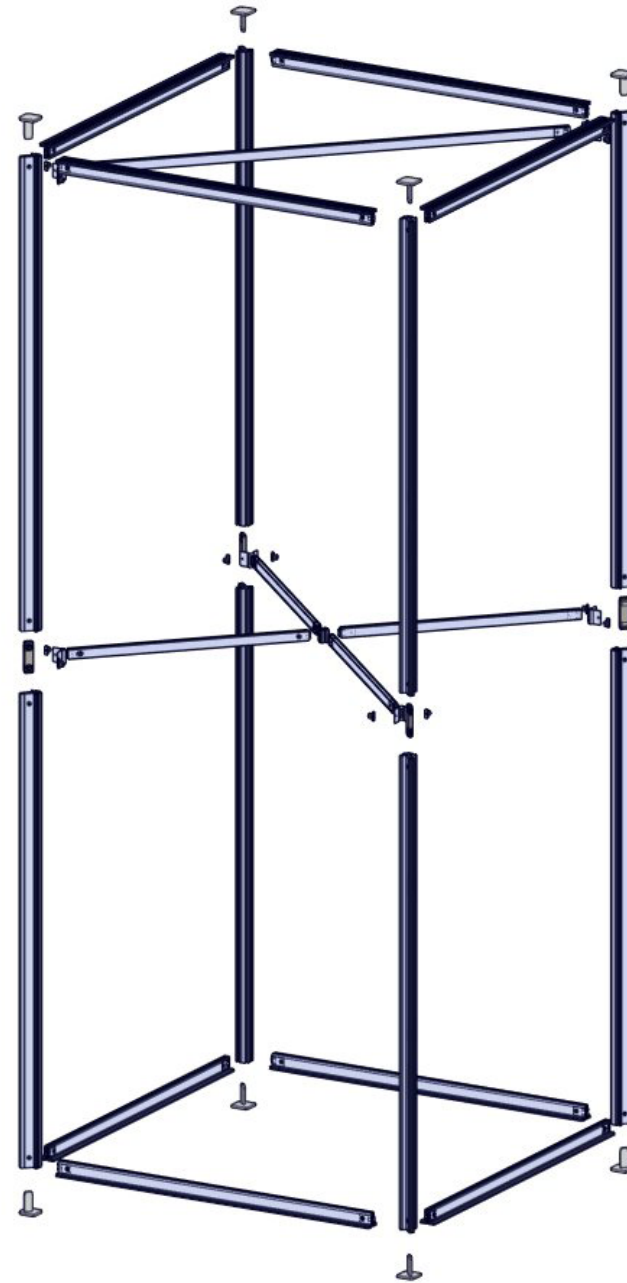
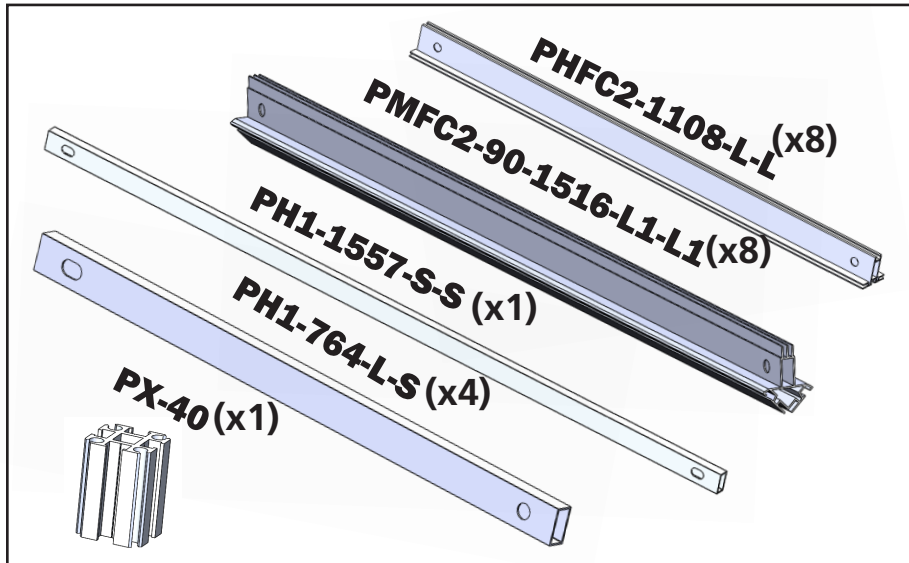
This product may include the following materials for recycle:  
aluminum, select wood, fabric, cardboard, paper, steel, and plastics.

2 person assembly recommended:



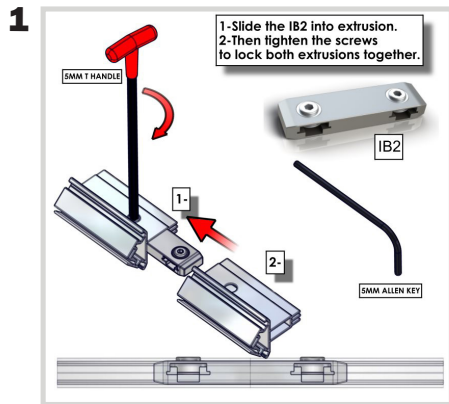
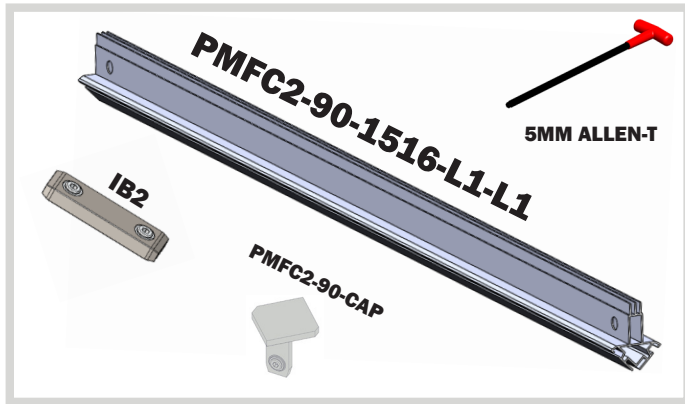
We are continually improving and modifying our product range and reserve the right to vary the specifications without prior notice. All dimensions and weights quoted are approximate and we accept no responsibility for variance. E&OE. See Graphic Templates for graphic bleed specifications.

# Included in your kit:

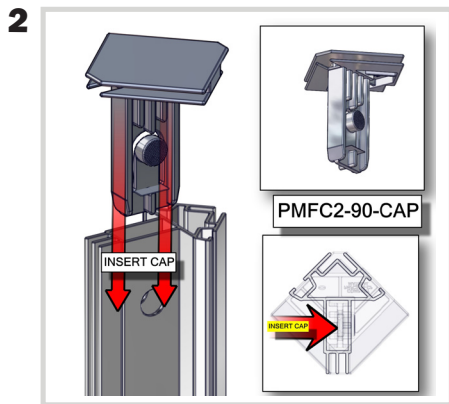


# Tower Construction

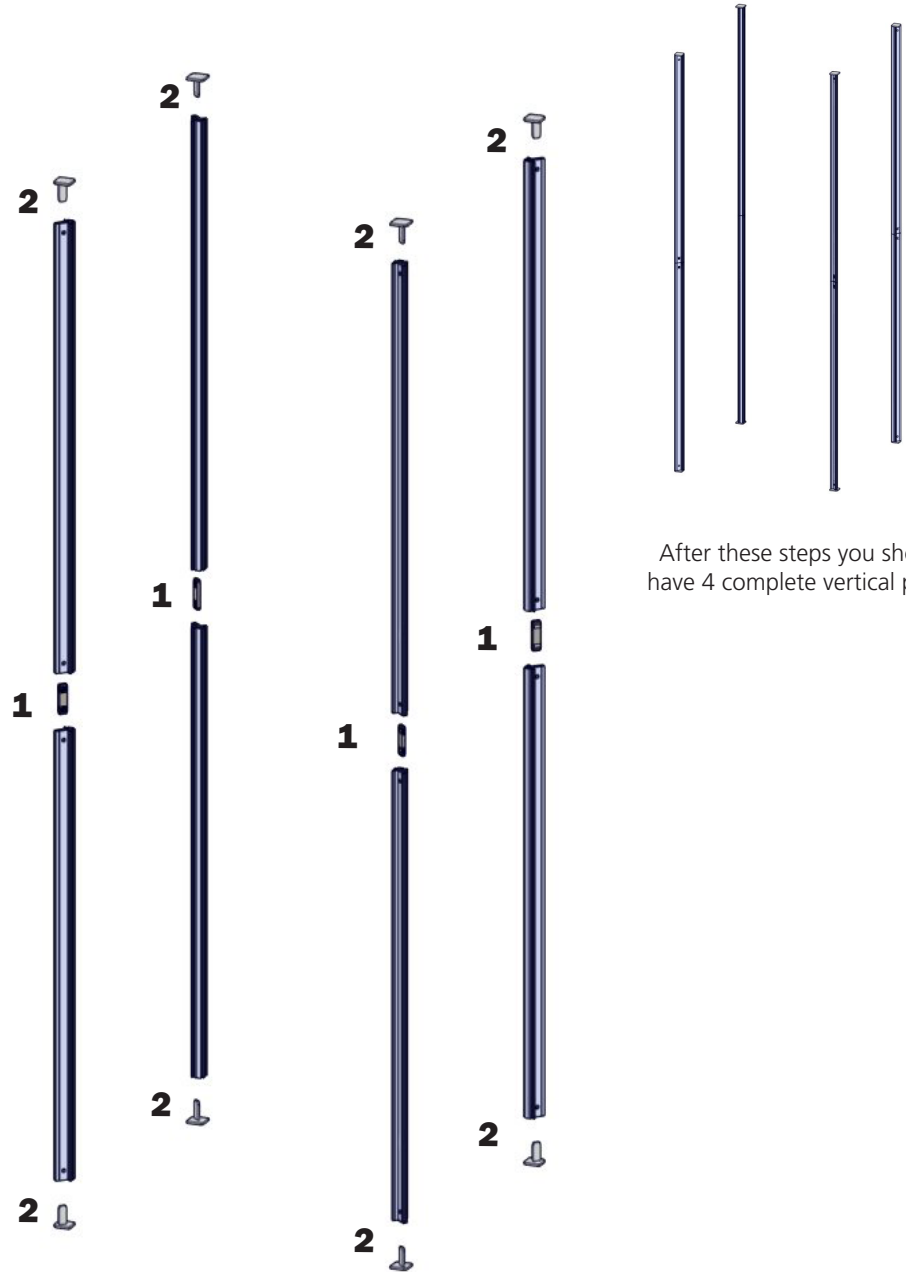
For this step you will need:



Using the 5mm Allen-T attach your PMFC2s together with your IB2s like the instructions here.



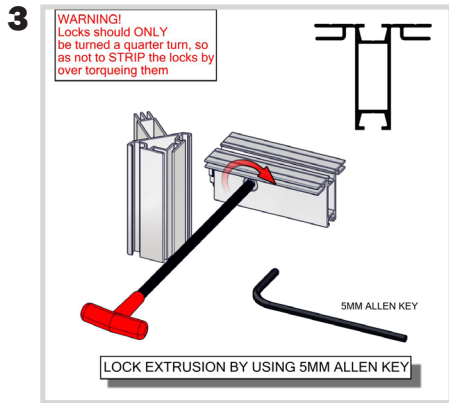
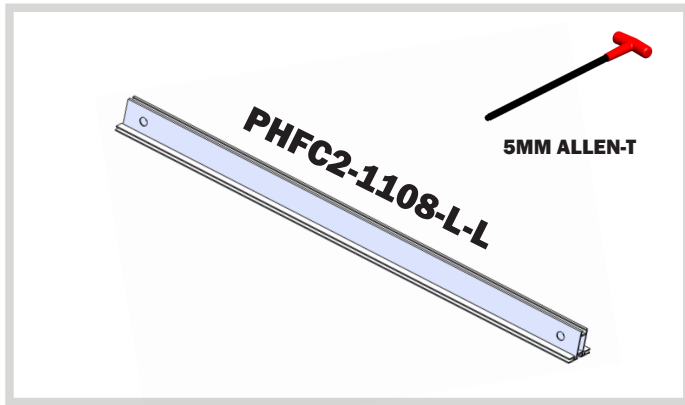
Push down on the snap button on your cap and push it into the top and bottom of the vertical posts until it snaps in place.



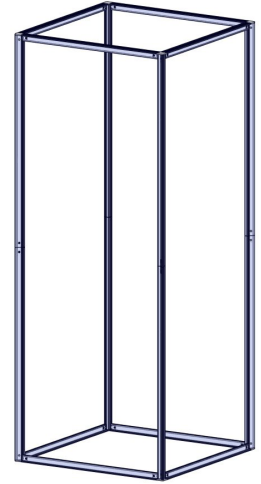
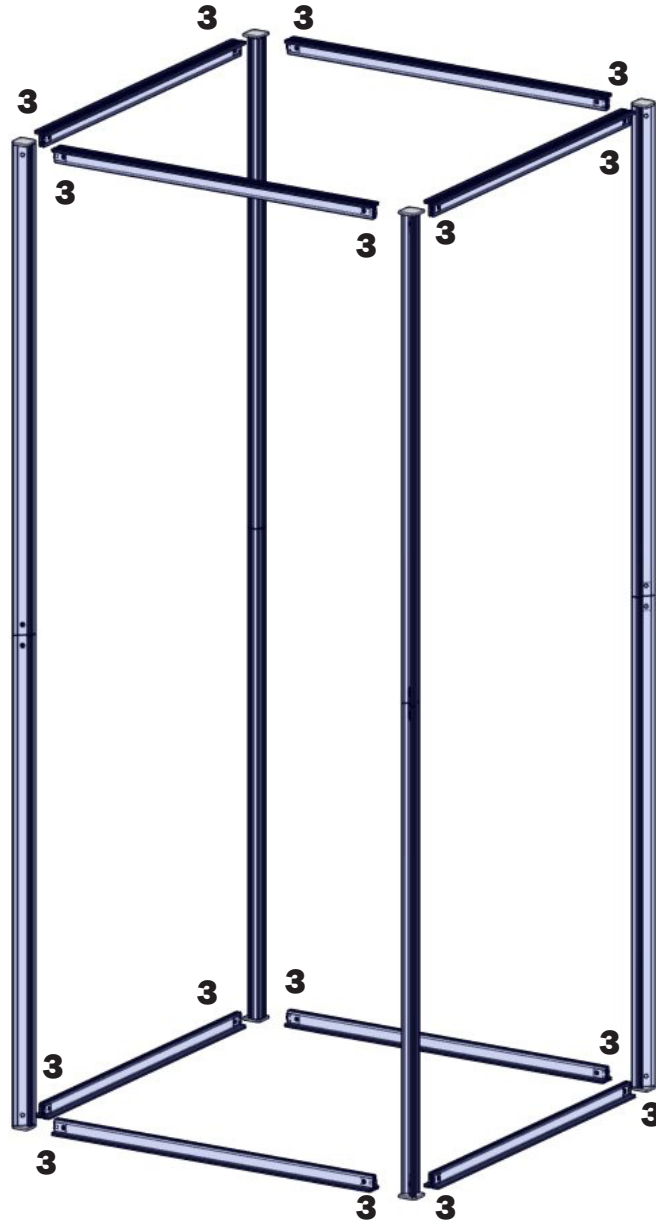
After these steps you should have 4 complete vertical posts.

# Tower Construction

For this step you will need:



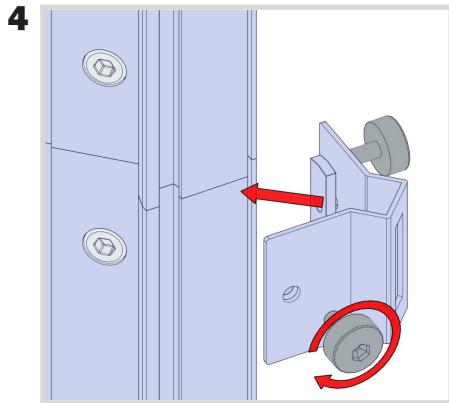
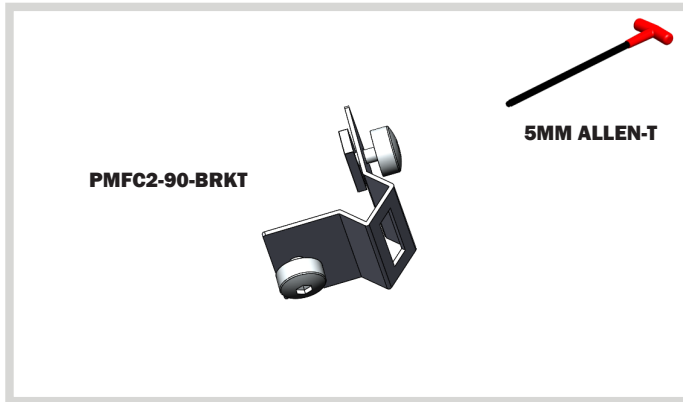
Using the 5mm Allen-T attach your PHFC2s to your PMFC2 verticals made in the previous step.



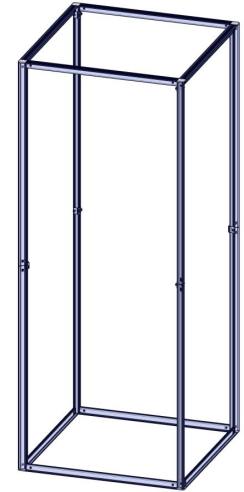
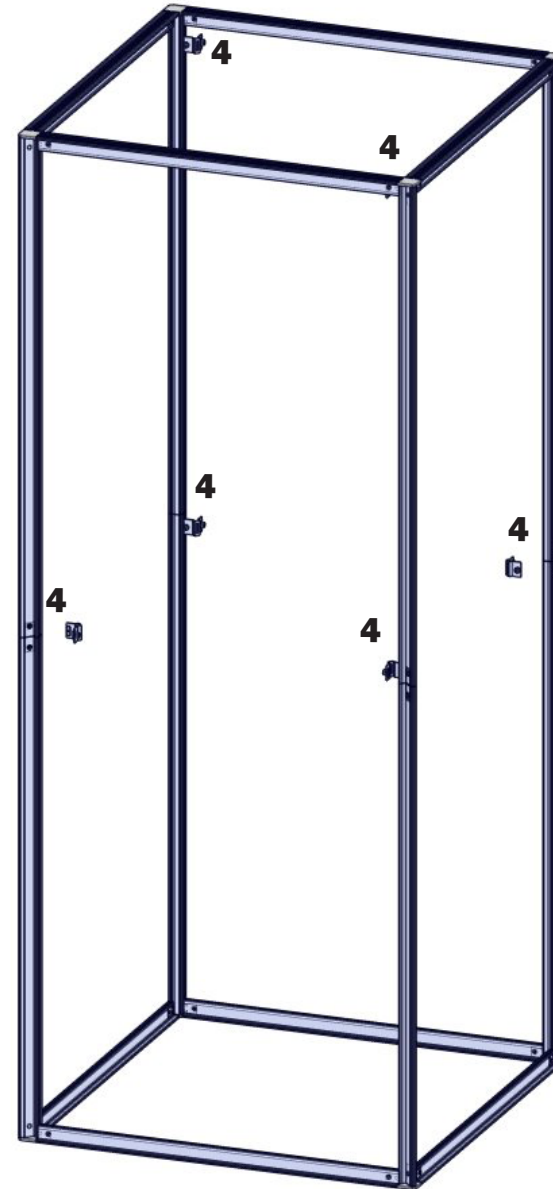
After this step you should have a rectangular tower.

# Tower Construction

For this step you will need:



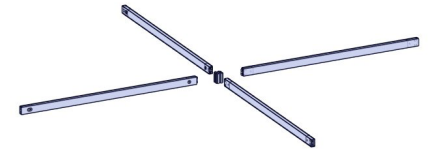
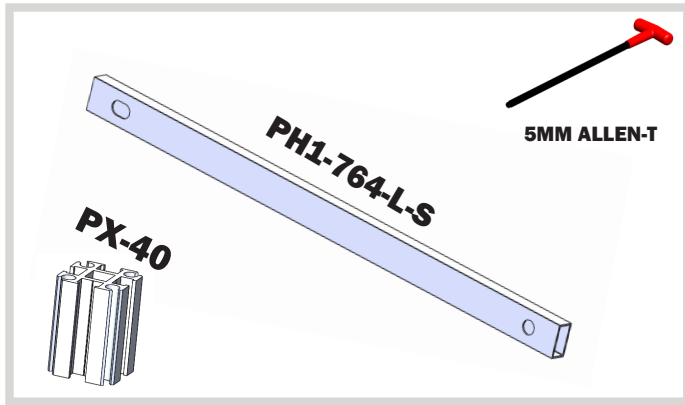
Using the screws provided, attach 8 of the brackets to the joints of your verticals and two at the top of you PMFC2 verticals.



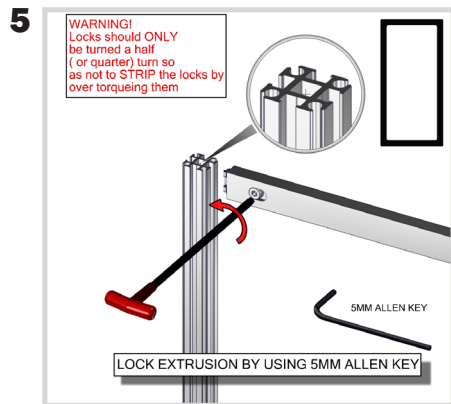
After this step you should have 6 brackets attached to your post.

# Tower Construction

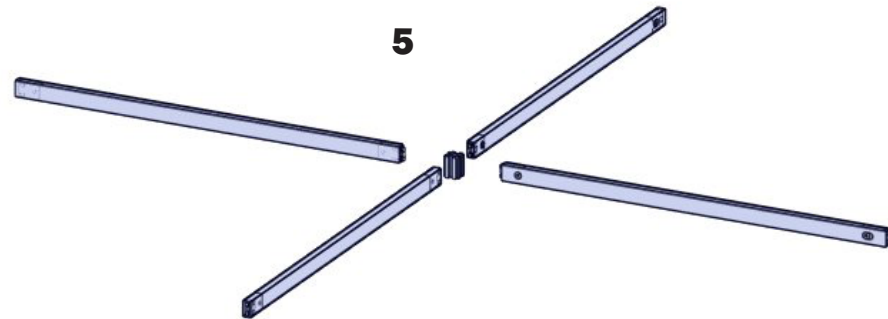
For this step you will need:



After this step you should have your cross support ready.

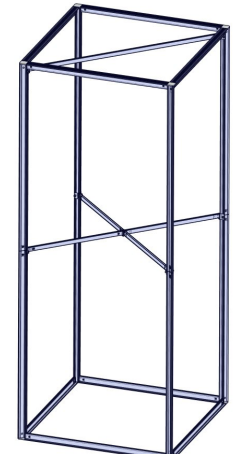
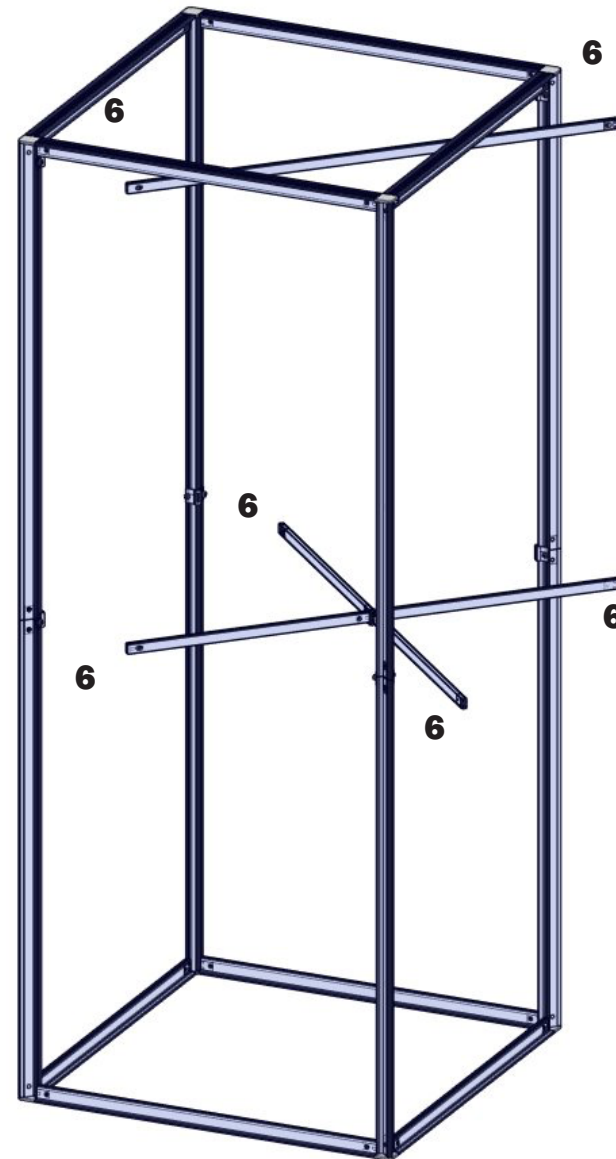
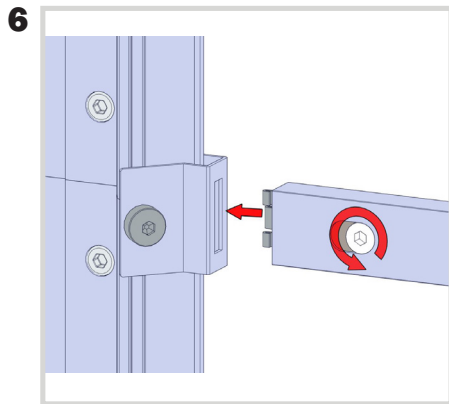
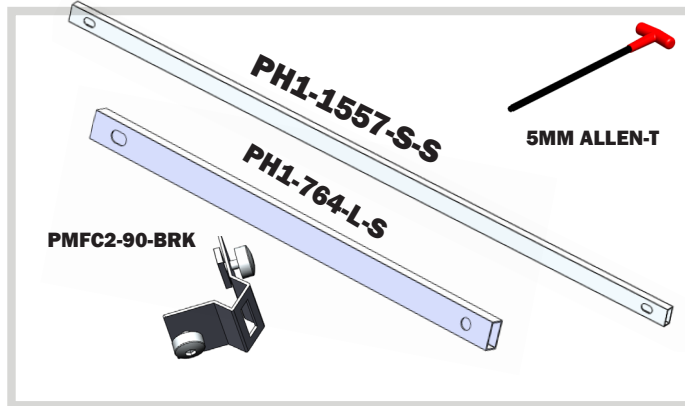


Using the 5mm Allen-T attach your supporting PH1 extrusions to the small PX extrusions.



# Tower Construction

For this step you will need:

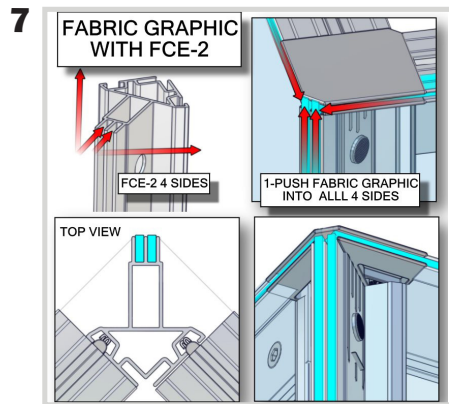
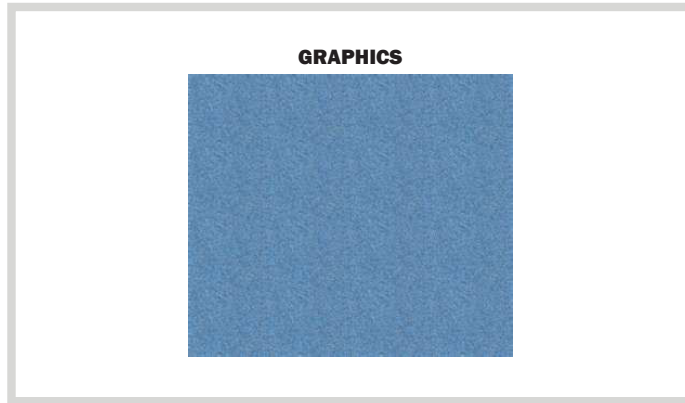


After this step you should  
have your supports connected  
to your tower.

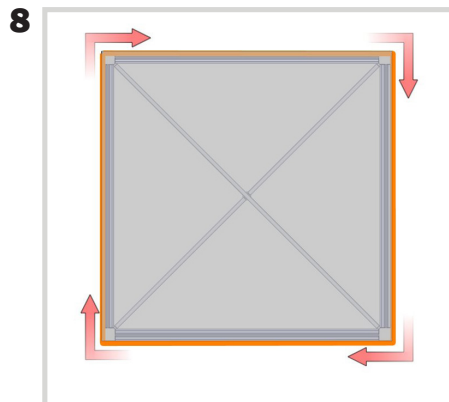


# Graphic Application

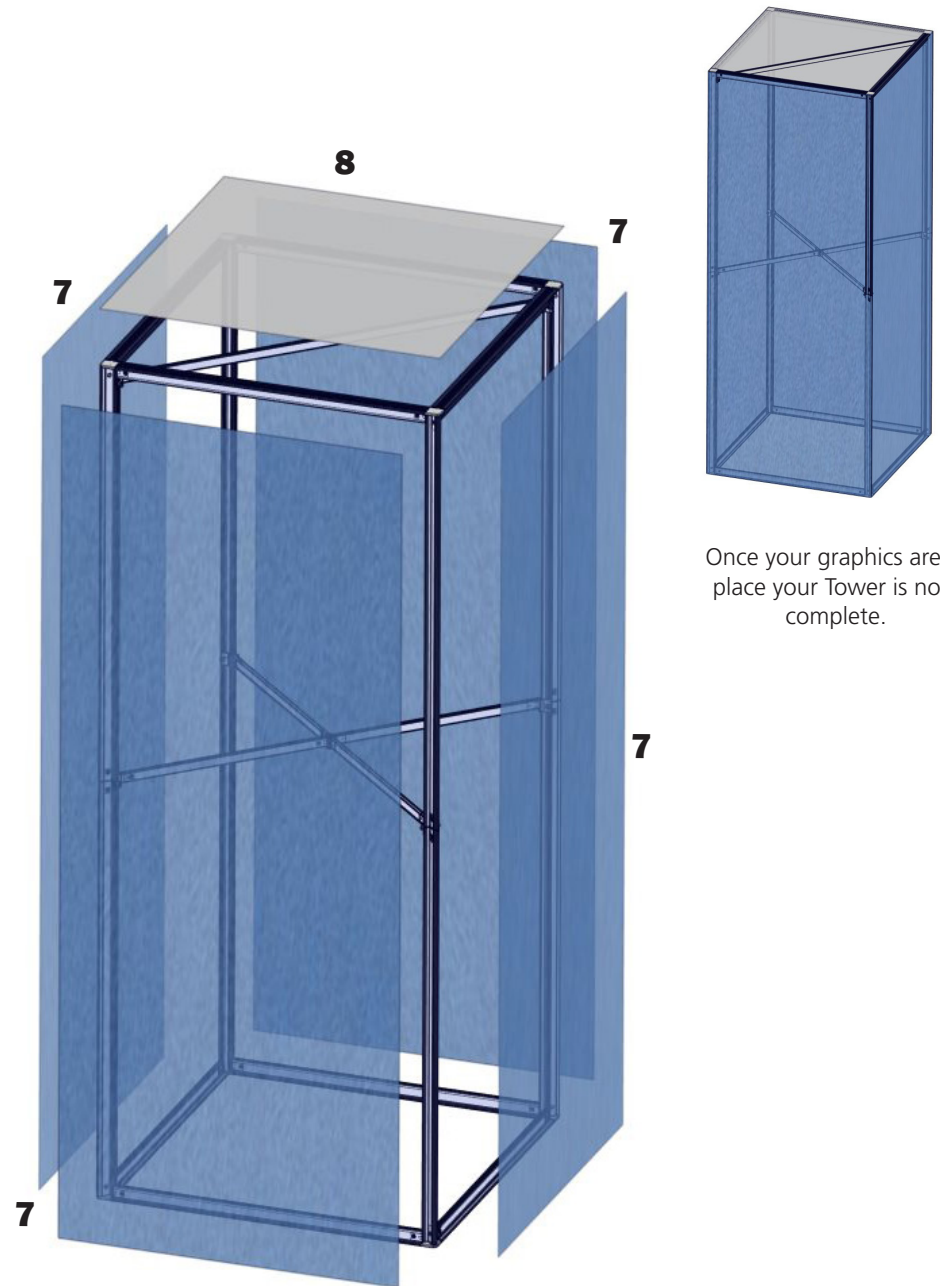
For this step you will need:



Insert your graphics into the FCE channels of your PMFC2 extrusions.



Your opaque liner will attach to the top of your tower with hook and loop fastener on the liner and on the top of the extrusion.



Once your graphics are in place your Tower is now complete.