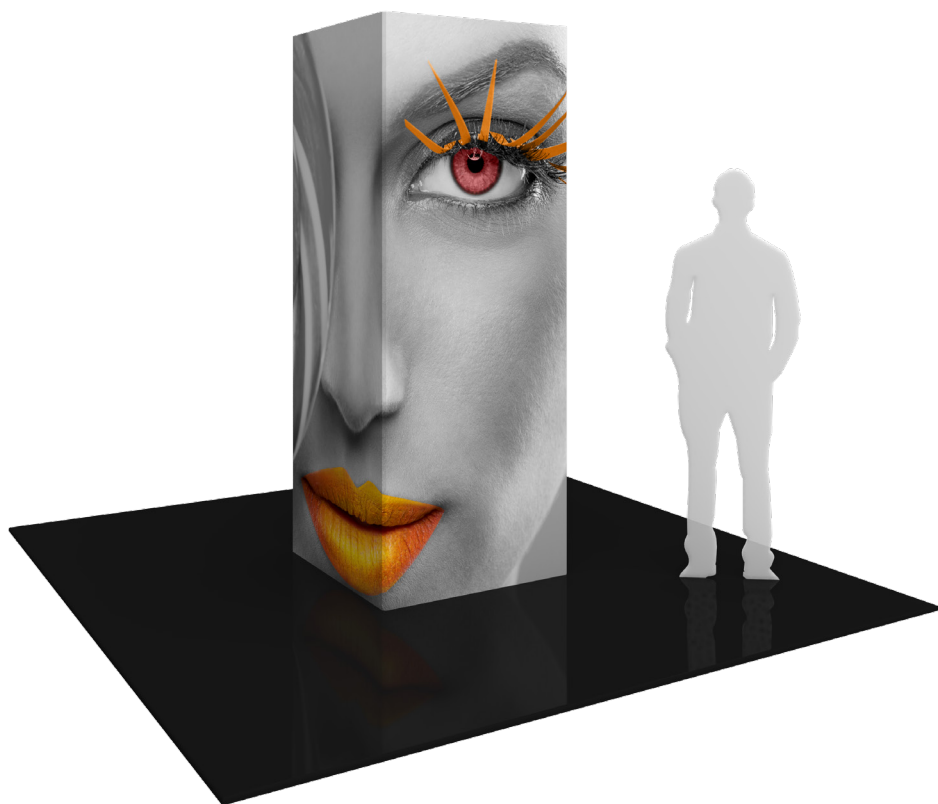


Vector Frame 3x8 Tower 01

The Vector Frame Modular Tower 01 is an impressive architectural structure utilizing push-fit fabric graphics and extrusion based frames to create a commanding display for any interior environment. Measuring 8'h and 3' square at the top and bottom, this rectangular display is the perfect statement piece. The Vector Frame Tower 01 can accommodate an internal lighting kit and a monitor mount kit (each sold separately) for added drama and additional messaging. Each kit comes with a molded, wheeled case for easy storage and transportation.



features and benefits:

- 50mm silver extrusion frames
- Interchangeable pushfit SEG graphics for all 4 sides
- Monitor Mount option available

- Kit includes: a frame, 4 power stretch SEG push fit fabric graphics panels, 1 opaque liner panel, and one wheeled storage case
- Lifetime hardware warranty against manufacturer defects

dimensions:

Hardware

Graphic

Assembled unit:
36" w x 96" h x 36" d
915mm(w) x 2439mm(h) x 915mm(d)

Refer to related graphic template for more information.

Approximate weight with case:
44 lbs / 20 kgs

One year warranty

Visit:
<https://www.tradeshowplus.com>

Shipping

additional information:

Packing case(s):
1 OCE

Graphic material:
Power stretch push-fit fabric graphic

Shipping dimensions:
OCE: Expandable case length (l) may vary

When included in a larger kit, a different packaging solution will be listed to accommodate all contents of the kit. Individual packaging no longer provided.

18" l x 40" - 66" h x 18" d
458mm(l) x 1016mm-1677mm (h) x 458mm(d)

Approximate total shipping weight
(includes cases & graphics):
75 lbs / 35 kgs



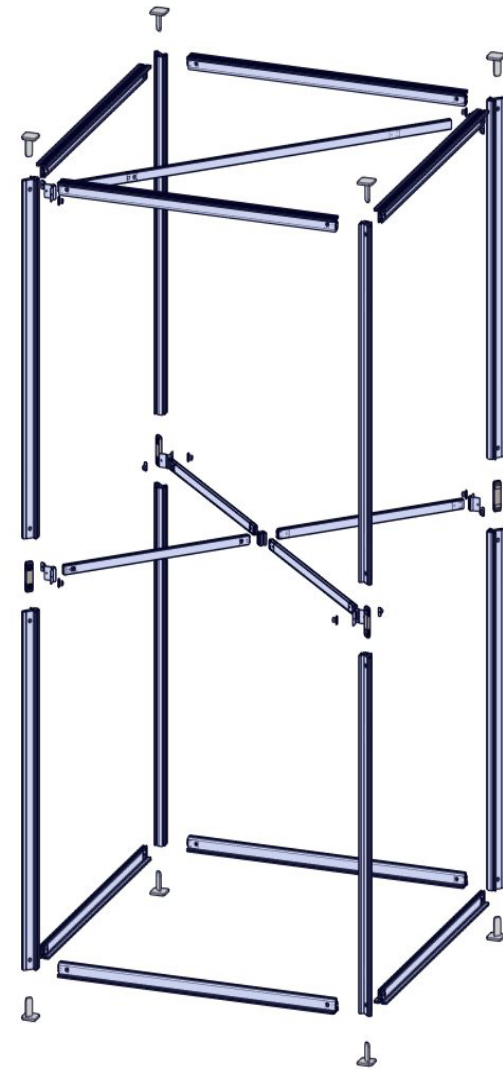
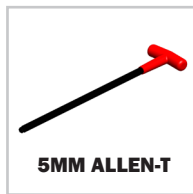
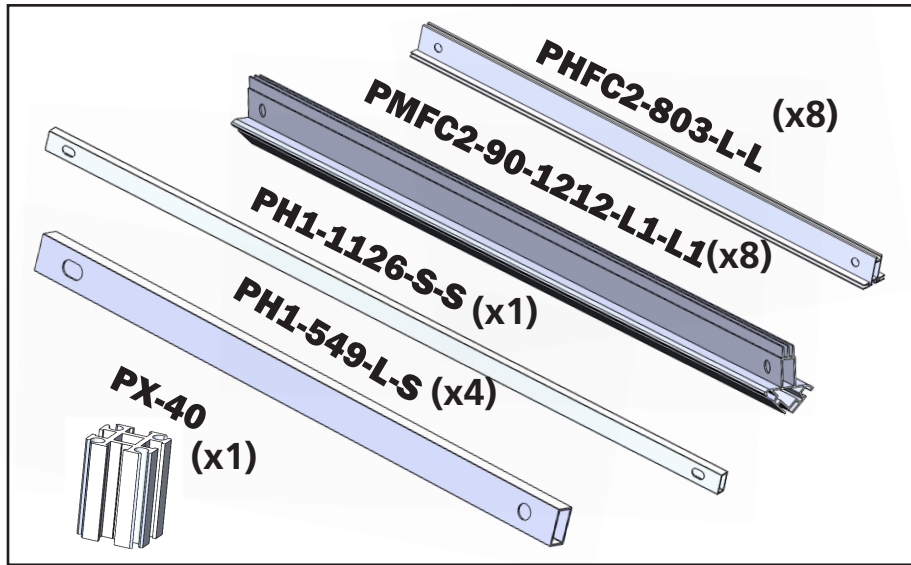
This product may include the following materials for recycle:
aluminum, select wood, fabric, cardboard, paper, steel, and plastics.

2 person assembly recommended:



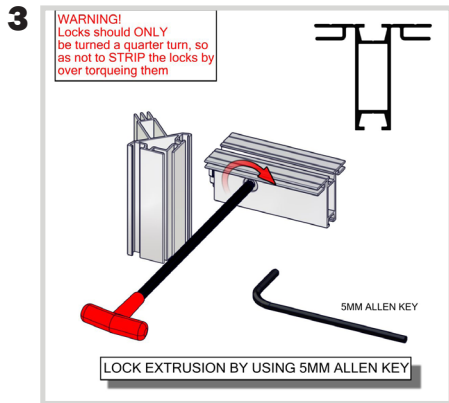
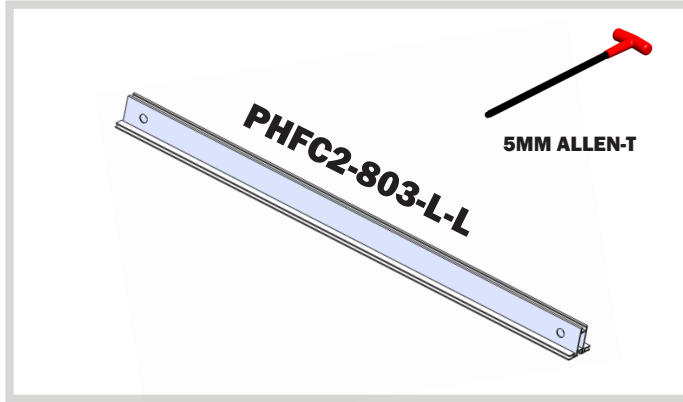
We are continually improving and modifying our product range and reserve the right to vary the specifications without prior notice. All dimensions and weights quoted are approximate and we accept no responsibility for variance. E&OE. See Graphic Templates for graphic bleed specifications.

Included in your kit:

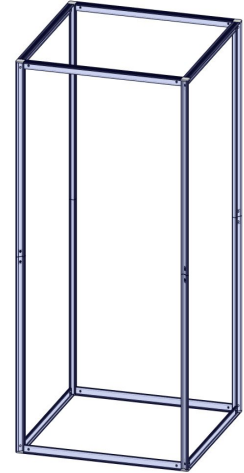


Tower Construction

For this step you will need:



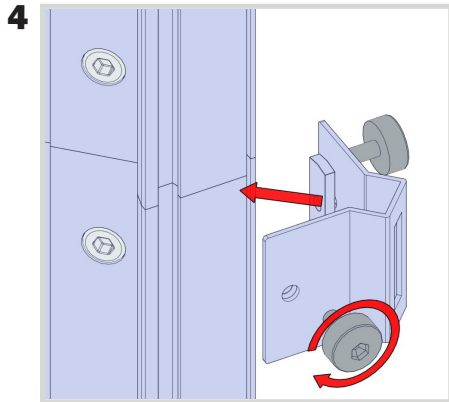
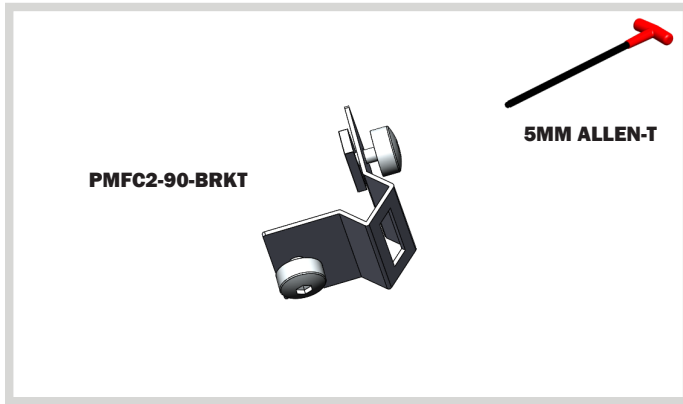
Using the 5mm Allen-T attach your PHFC2s to your PMFC2 verticals made in the previous step.



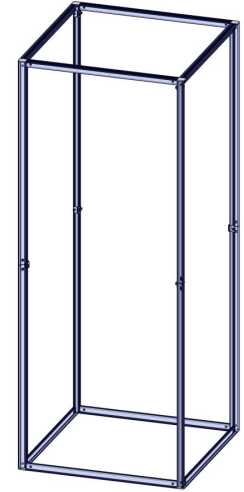
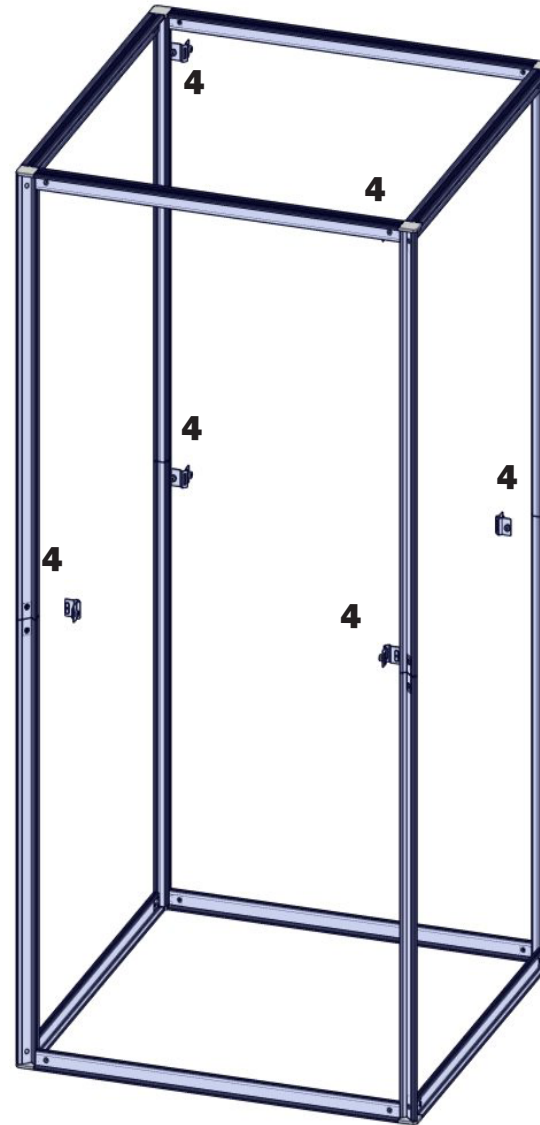
After this step you should have a rectangular tower.

Tower Construction

For this step you will need:



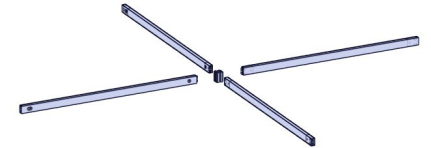
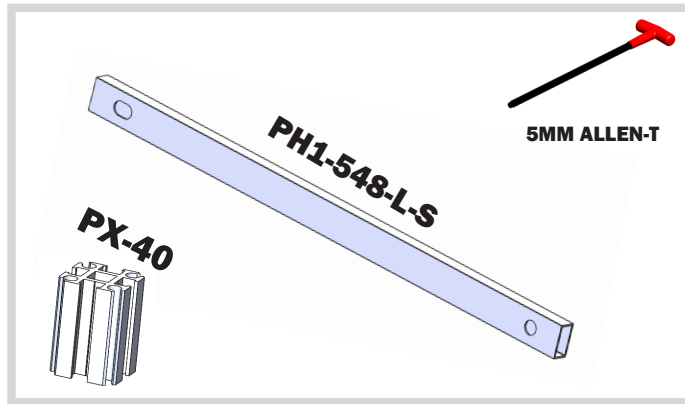
Using the screws provided, attach 8 of the brackets to the joints of your verticals and two at the top of your PMFC2 verticals.



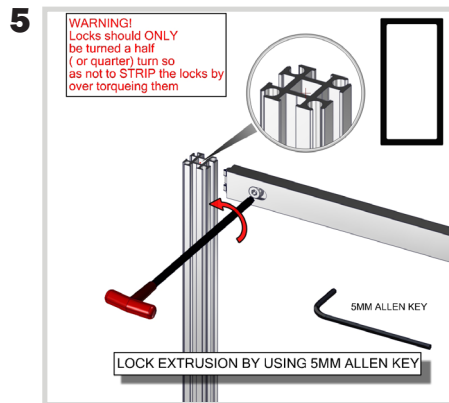
After this step you should have 6 brackets attached to your post.

Tower Construction

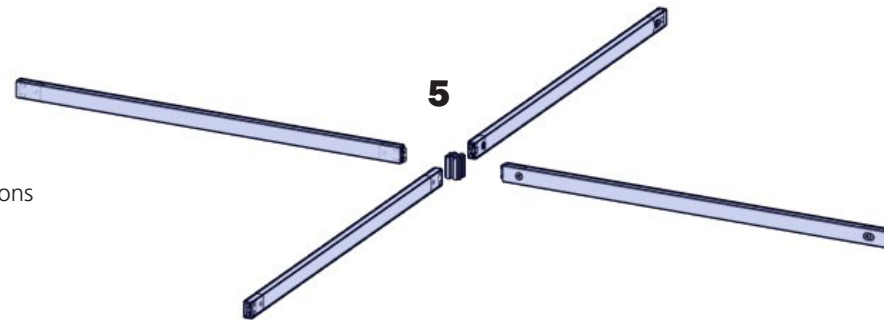
For this step you will need:



After this step you should have your cross support ready.

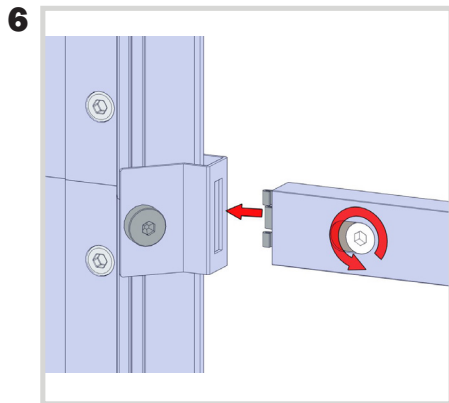
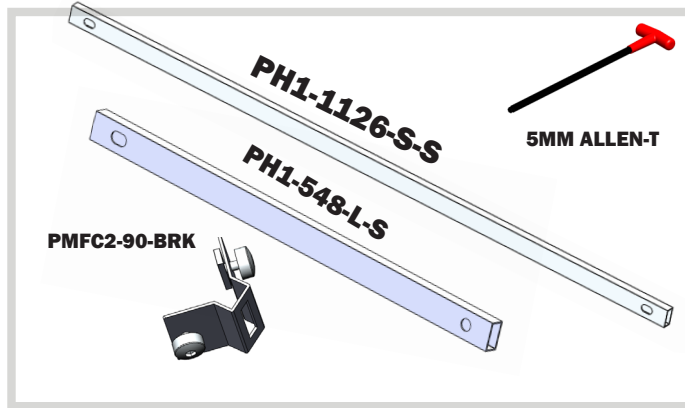


Using the 5mm Allen-T attach your supporting PH1 extrusions to the small PX extrusions.

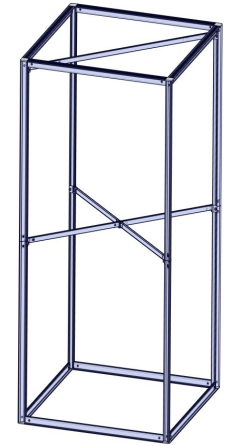
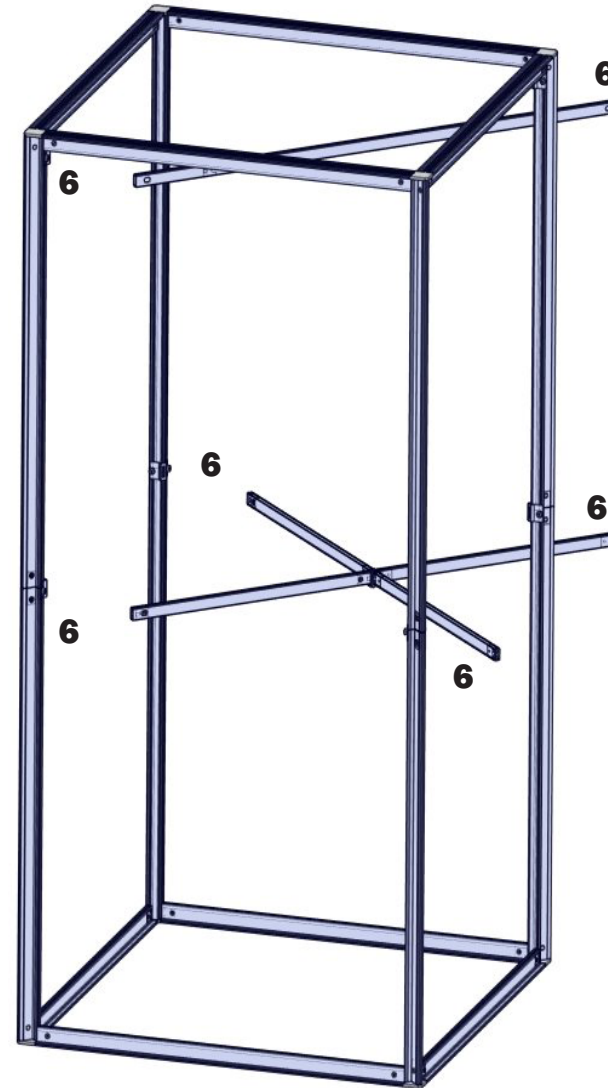


Tower Construction

For this step you will need:



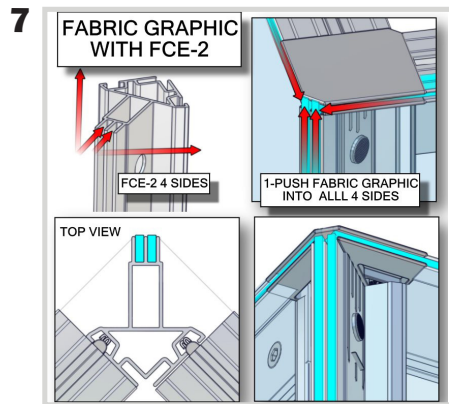
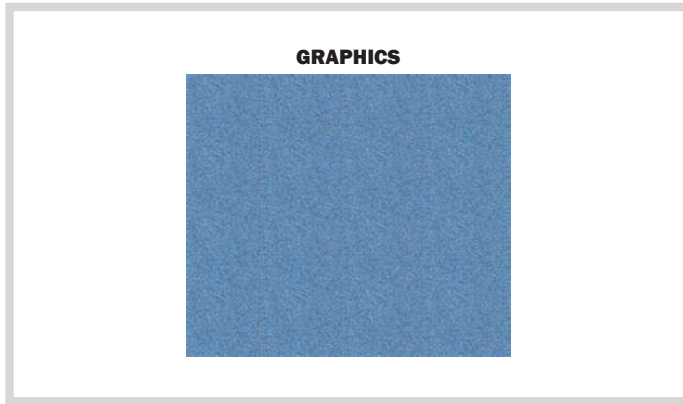
Using the 5mm Allen-T attach your supporting PH1 extrusions to your brackets.



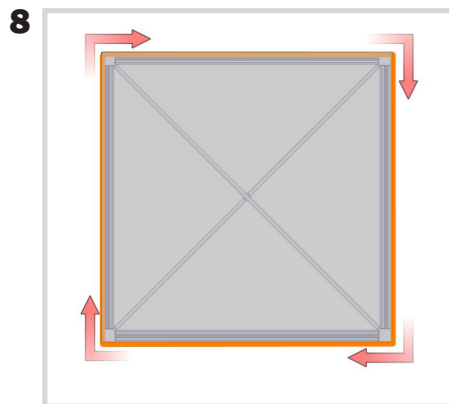
After this step you should have your supports connected to your tower.

Graphic Application

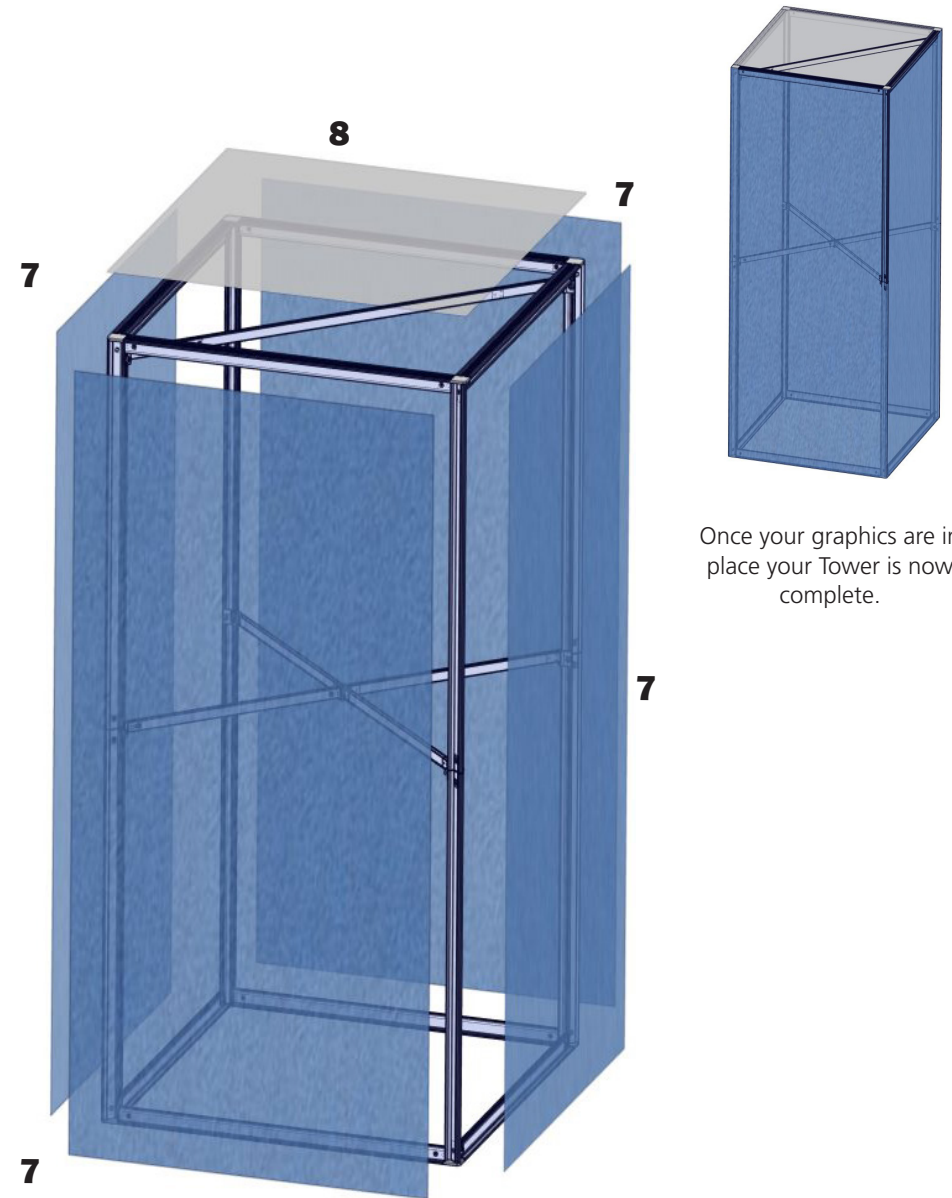
For this step you will need:



Insert your graphics into the FCE channels of your PMFC2 extrusions.



Your opaque liner will attach to the top of your tower with hook and loop fastener on the liner and on the top of the extrusion.



Once your graphics are in place your Tower is now complete.