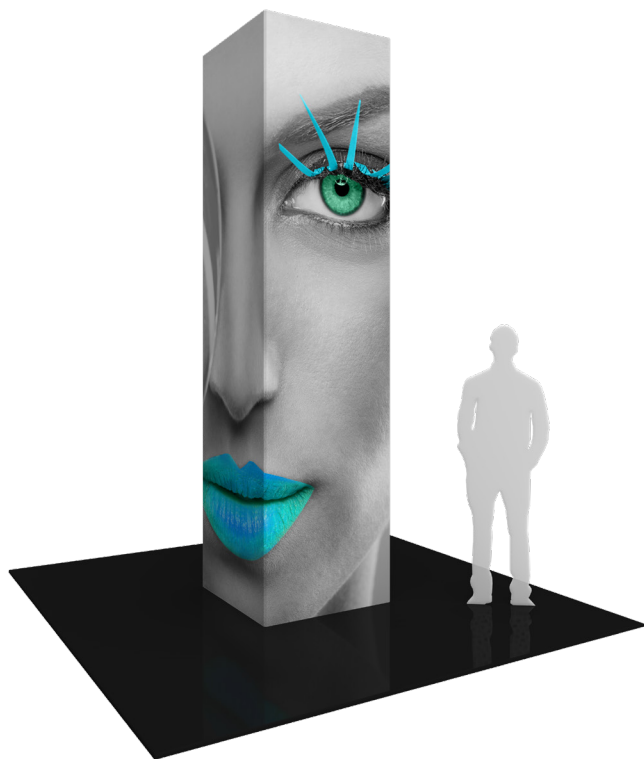


# Vector Frame 3x12 Monitor Tower 05

The Vector Frame 3x12 Monitor Tower 05 is an impressive architectural structure utilizing push-fit fabric graphics and extrusion based frames to create a commanding display for any interior environment. Measuring 12'h and 3' square at the top and bottom, this rectangular display is the perfect statement piece. The Vector Frame Tower 05 can accommodate an internal lighting kit and a monitor mount kit (each sold separately) for added drama and additional messaging. Each kit comes with a molded, wheeled case for easy storage and transportation.



## features and benefits:

- 50mm silver extrusion frames
- Interchangeable pushfit SEG fabric graphics for all 4 sides
- Monitor Mount option available

- Kit includes: a frame, 4 SEG power stretch push fit fabric graphics panels, 1 opaque liner panel, and one wheeled storage case
- Lifetime hardware warranty against manufacturer defects

## dimensions:

Hardware

Graphic

Assembled unit:  
36" w x 144" h x 36" d  
915mm(w) x 3658mm(h) x 915mm(d)

Approximate weight:  
61 lbs / 28 kgs

Refer to related graphic template for more information.

One year warranty

Visit:  
<https://www.tradeshowplus.com>

Shipping

## additional information:

Packing case(s):  
1 OCE

Shipping dimensions:  
OCE: Expandable case length (l) may vary

18" l x 40" - 66" h x 18" d  
458mm(l) x 1016mm-1677mm(h) x 458mm(d)

Approximate total shipping weight  
(includes cases & graphics):  
71 lbs / 33 kgs

Graphic material:  
Power stretch push-fit fabric graphic

When included in a larger kit, a different packaging solution will be listed to accommodate all contents of the kit. Individual packaging no longer provided.



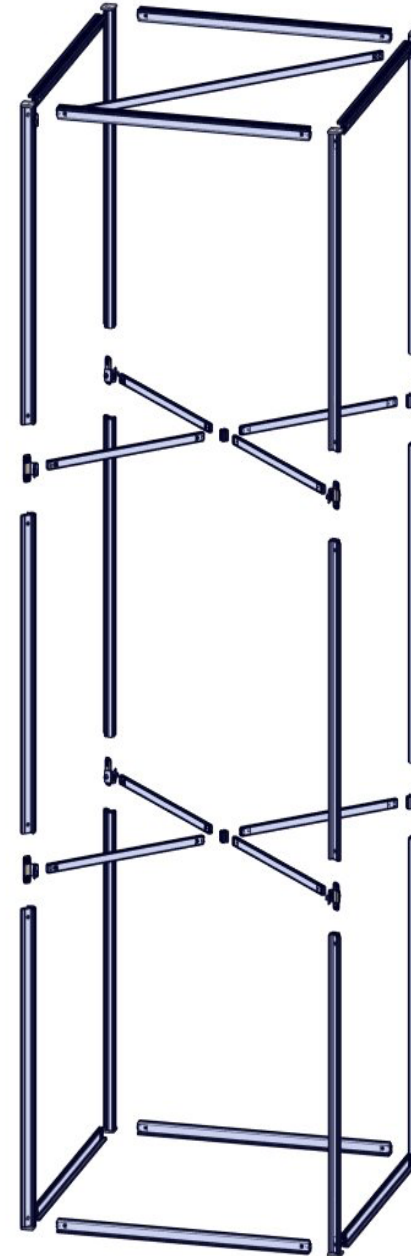
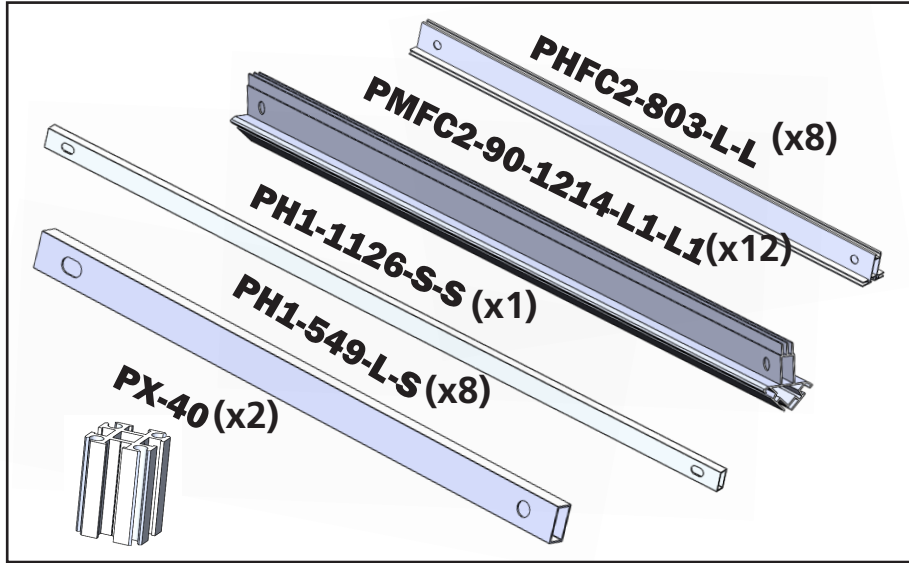
This product may include the following materials for recycle:  
aluminum, select wood, fabric, cardboard, paper, steel, and plastics.

2 person assembly recommended:



We are continually improving and modifying our product range and reserve the right to vary the specifications without prior notice. All dimensions and weights quoted are approximate and we accept no responsibility for variance. E&OE. See Graphic Templates for graphic bleed specifications.

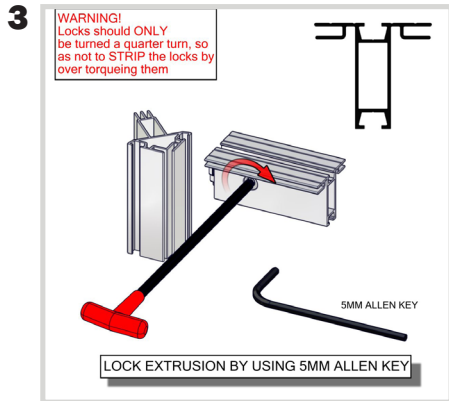
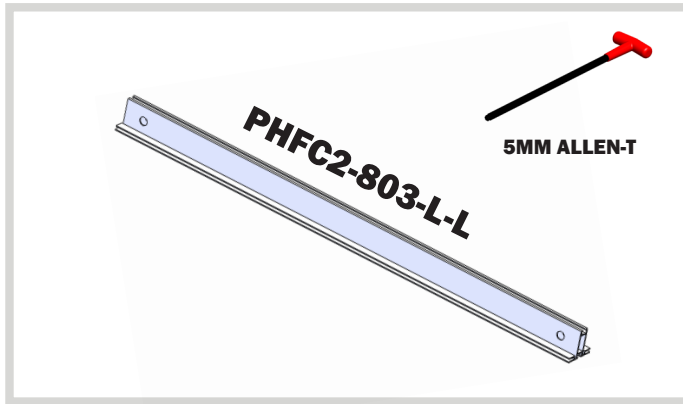
# Included in your kit:



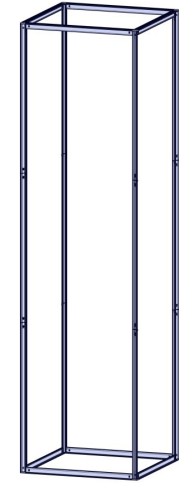
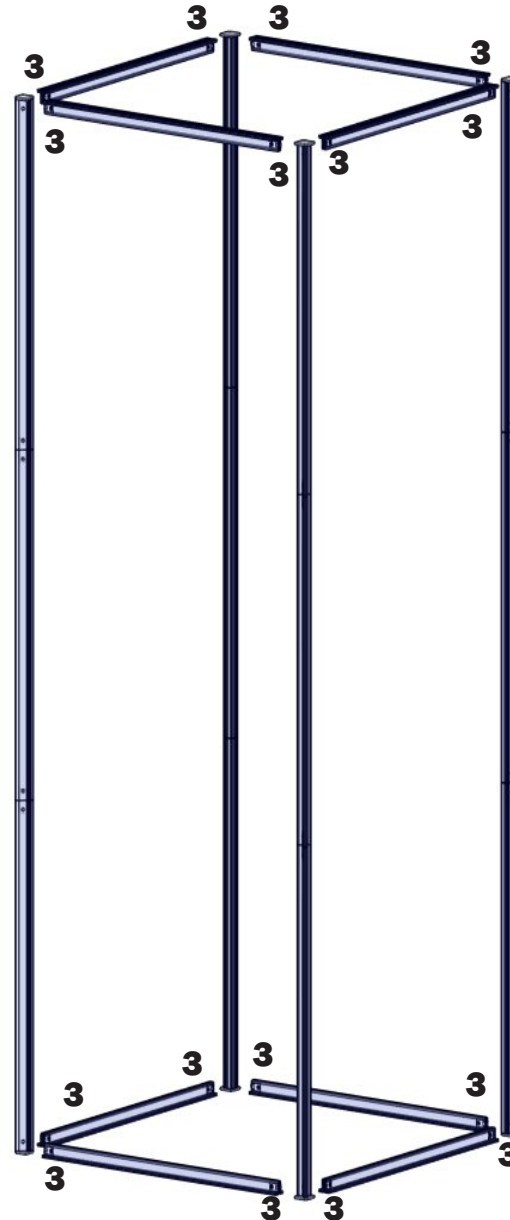


# Tower Construction

For this step you will need:



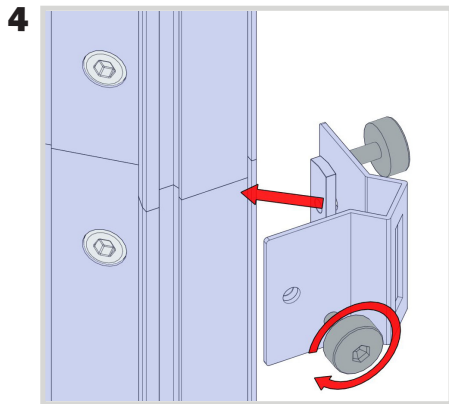
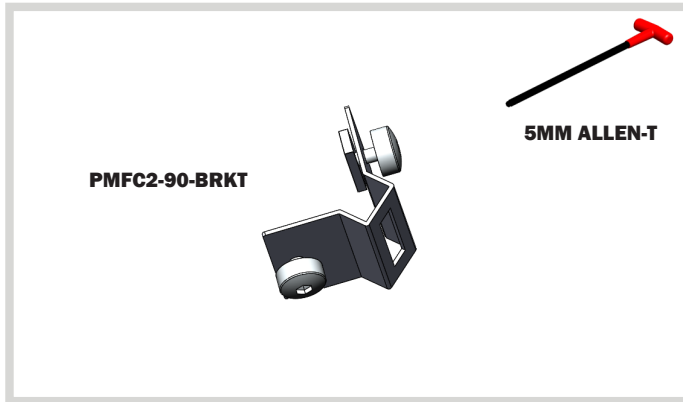
Using the 5mm Allen-T attach your PHFC2s to your PMFC2 verticals made in the previous step.



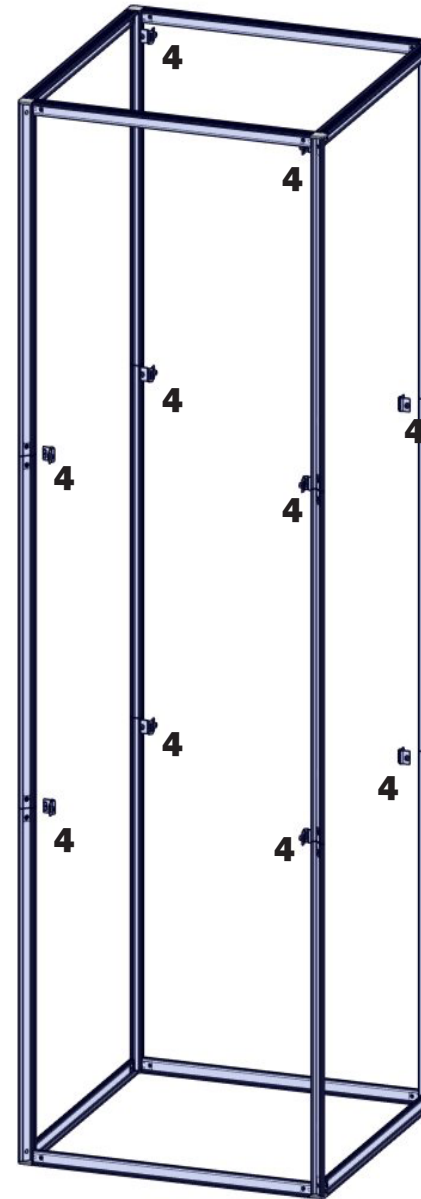
After this step you should have a rectangular tower.

# Tower Construction

For this step you will need:



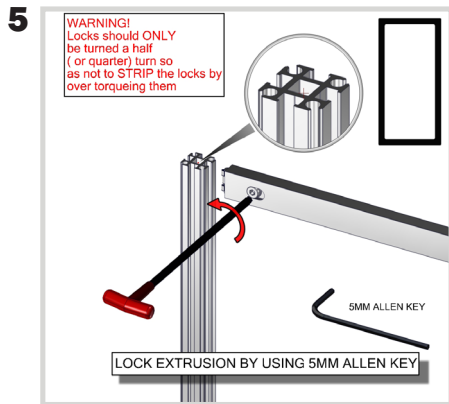
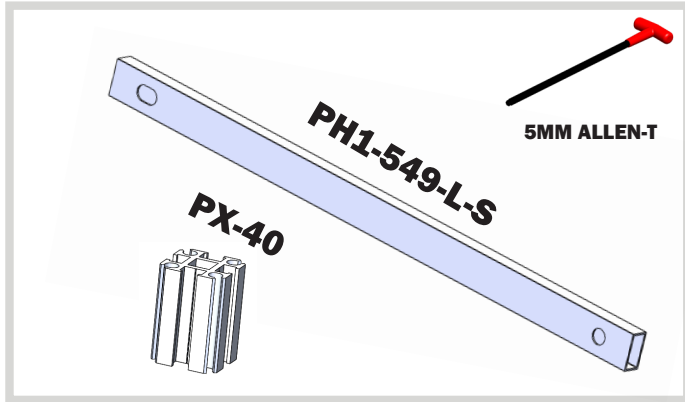
Using the screws provided, attach 8 of the brackets to the joints of your verticals and two at the top of you PMFC2 verticals.



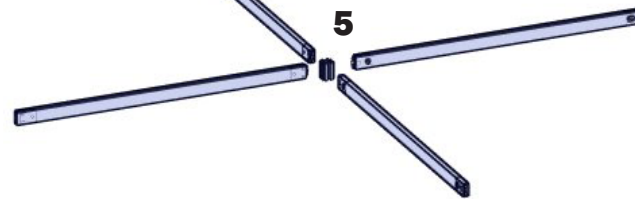
After this step you should have 10 brackets attached to your post.

# Tower Construction

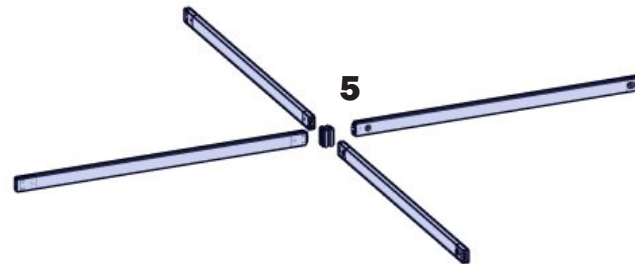
For this step you will need:



Using the 5mm Allen-T attach your supporting PH1 extrusions to the small PX extrusions.



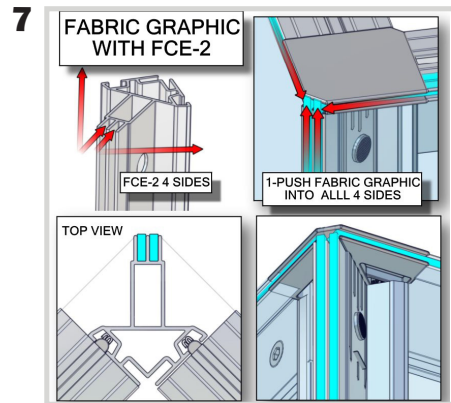
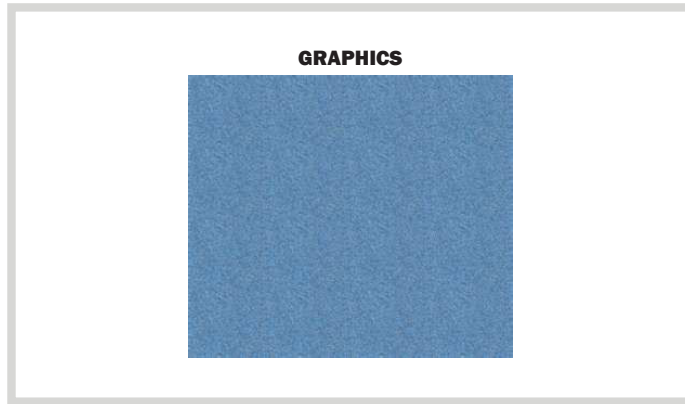
After this step you should have your cross supports ready.



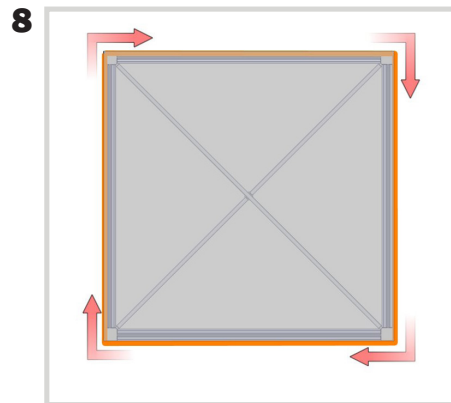


# Graphic Application

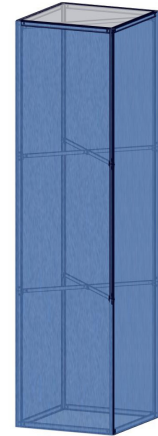
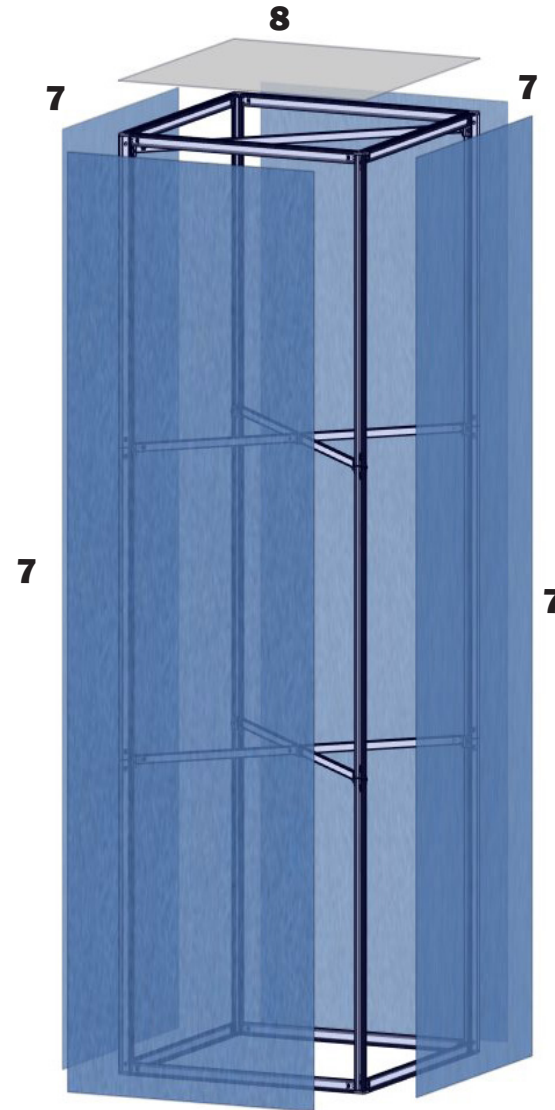
For this step you will need:



Insert your graphics into the FCE channels of your PMFC2 extrusions.



Your opaque liner will attach to the top of your tower with hook and loop fastener on the liner and on the top of the extrusion.



Once your graphics are in place your Tower is now complete.



# Vector Frame Tower 3ft Monitor Mount

## VF-TOWER-3FT-MM

Dual monitor mount attachments for 3 foot width Tower kits.

### features and benefits:

-Kit includes: 2 medium monitor mounts, 2 pieces of extrusion and attachment hardware  
 -32" - 55" monitor size; max weight 20 lbs. each

-Monitor mounts must be placed on opposite sides of the frame for counter balance weight  
 -Standard height location; on-center at 66" h from the bottom

### dimensions:

Hardware

Assembled unit:  
 31.75" w X 16.7" h X 3.6" d

Approximate weight with case:  
 24 lbs / 11 kgs

Shipping

Packing case(s):  
 1 Box

Shipping dimensions:  
 49" l X 12" h X 5" d

Approximate total shipping weight  
 (includes cases & graphics):  
 25 lbs / 12 kgs



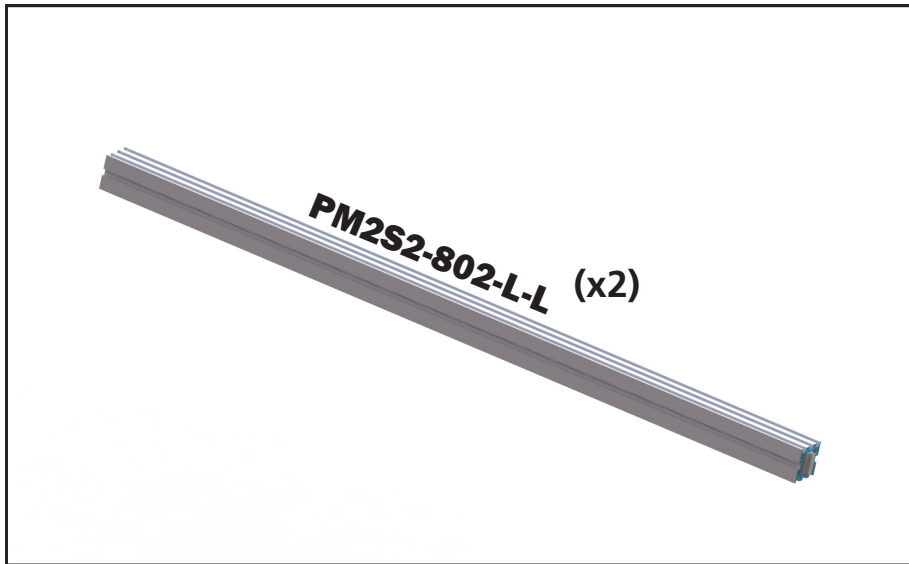
This product may include the following materials for recycle:  
 aluminum, cardboard, paper, steel, and plastics.

2 person assembly recommended:



We are continually improving and modifying our product range and reserve the right to vary the specifications without prior notice. All dimensions and weights quoted are approximate and we accept no responsibility for variance. E&OE. See Graphic Templates for graphic bleed specifications.

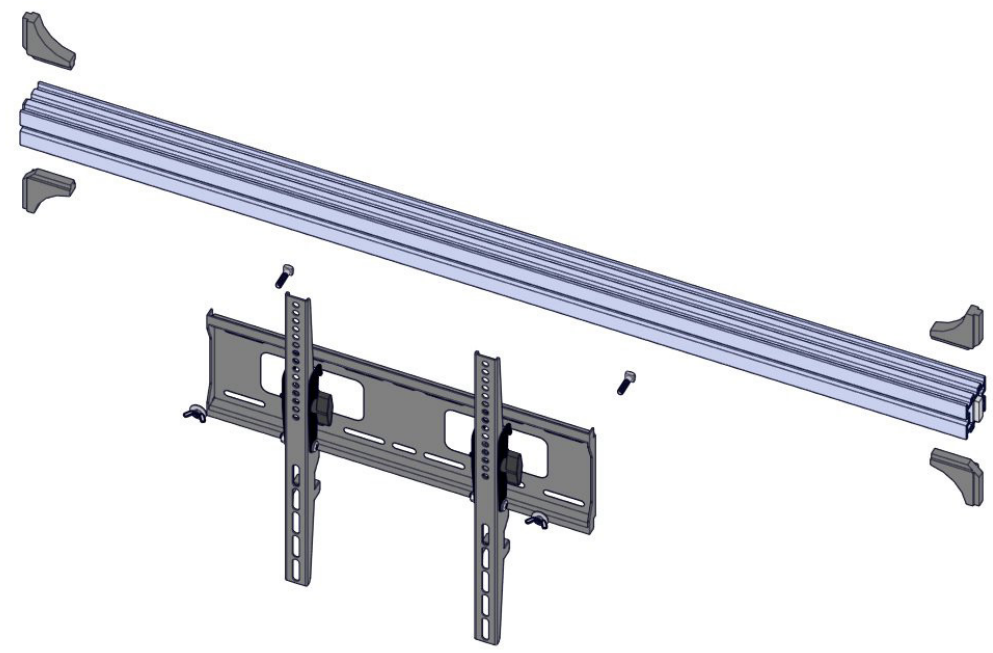
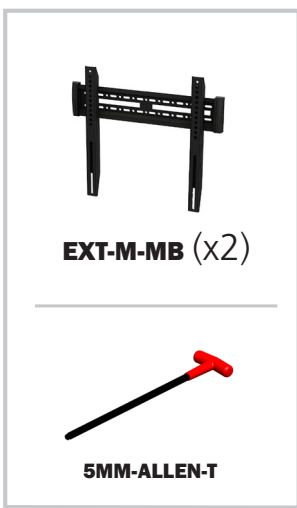
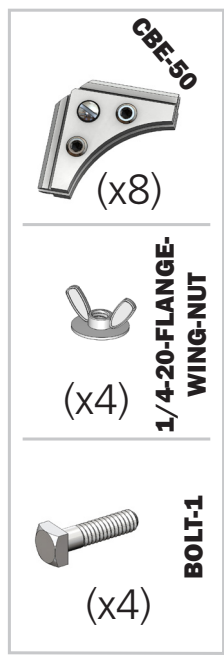
Included in your kit:



**EXT-M-MB**  
Vesa Pattern: 200 x 200  
up to 400 x 400mm  
Max weight varies per application

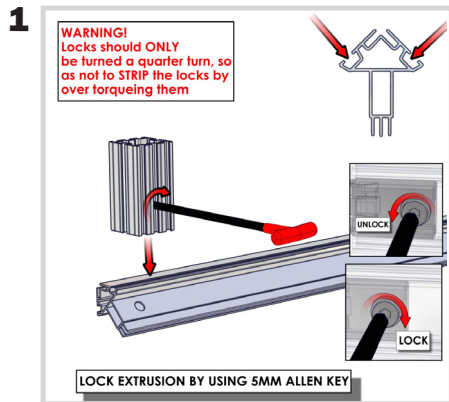
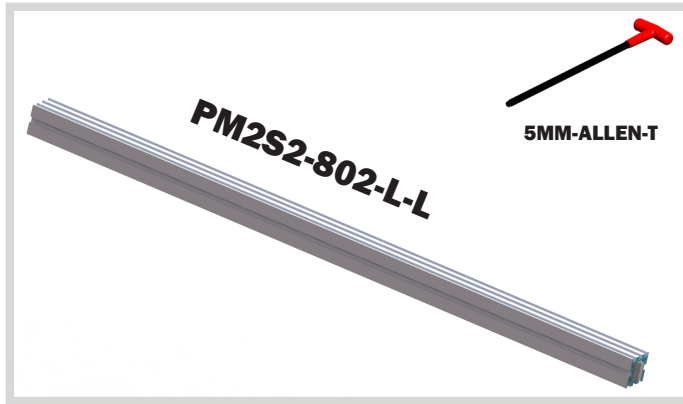
**Assembled unit:**  
17.6" w x 16.7" h x 1.6" d  
448mm (w) x 425mm (h) x 40mm (d)

**Recommended monitor sizes:**  
32" - 55"

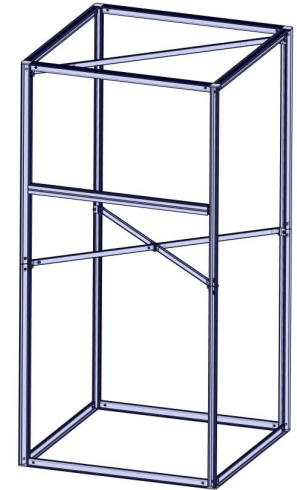
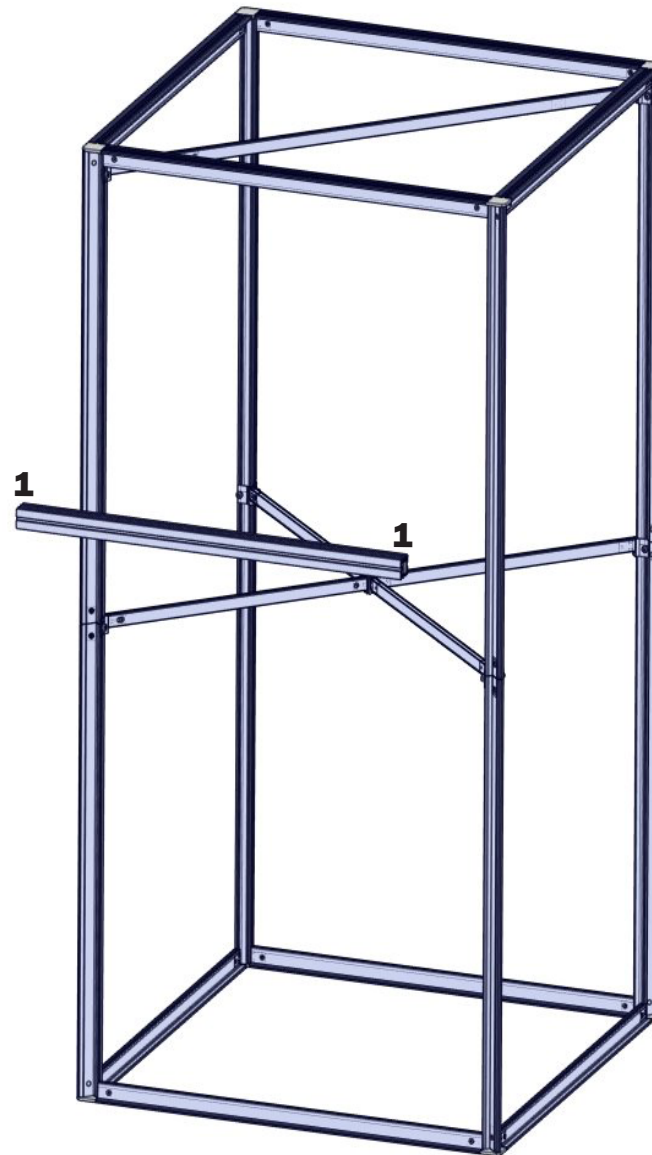


# Monitor to Tower Assembly

For this step you will need:



Slide the PM2S2 into the channels of your PMFC2-90 extrusions. Using your Allen-T lock the PM2S2 into place.

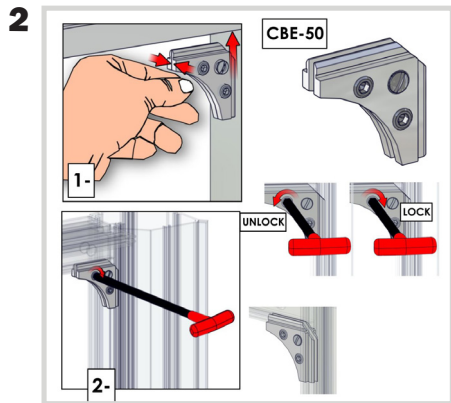
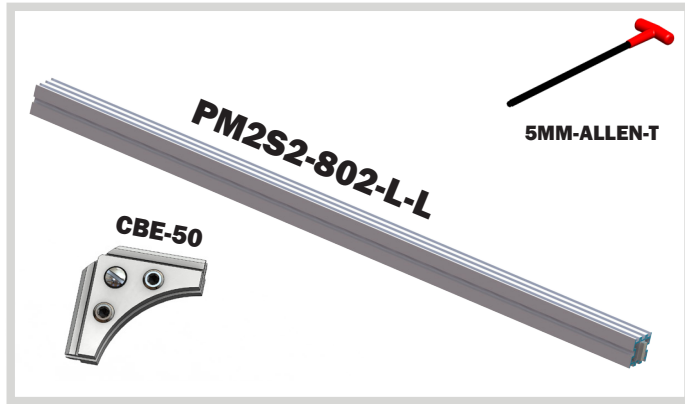


Completed Step.

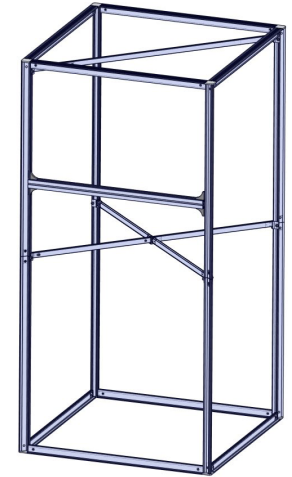
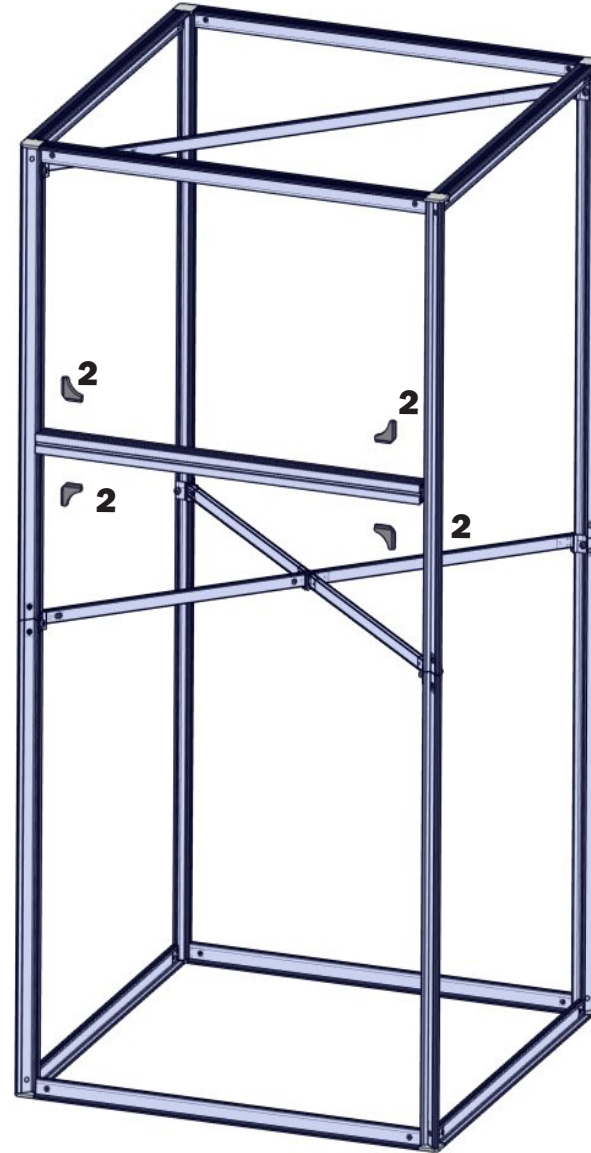
Note: Should be placed at 66" on center from floor to line up with the graphic hole placement (unless custom height was requested).

# Monitor to Tower Assembly

For this step you will need:

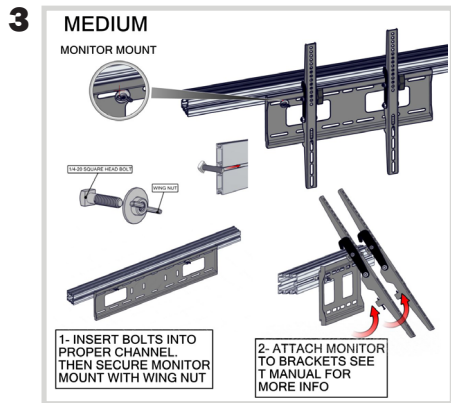
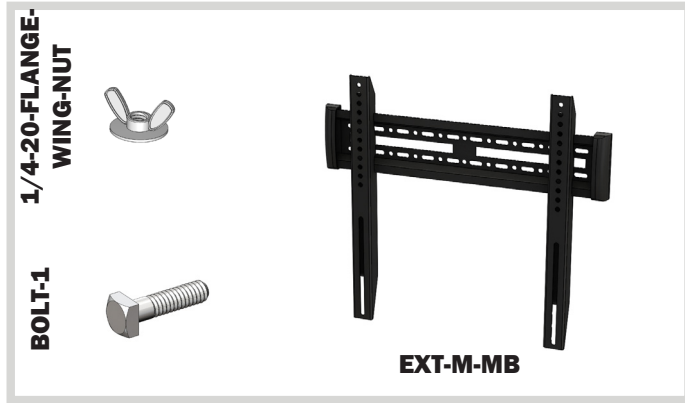


At the 4 corners of the PM2S2 to PMFC2-90 connection you made in the previous step, attach CBE-50s using the Allen-T to add stability to your monitor attachment.

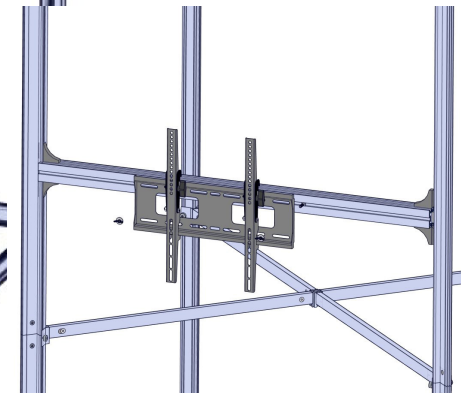
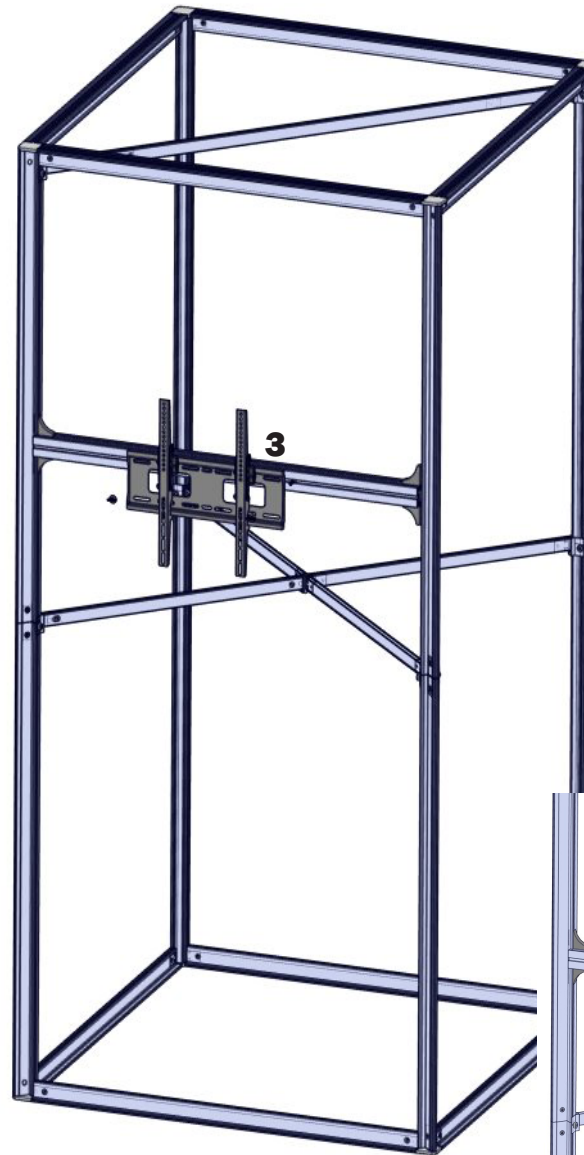


# Monitor to Tower Assembly

For this step you will need:

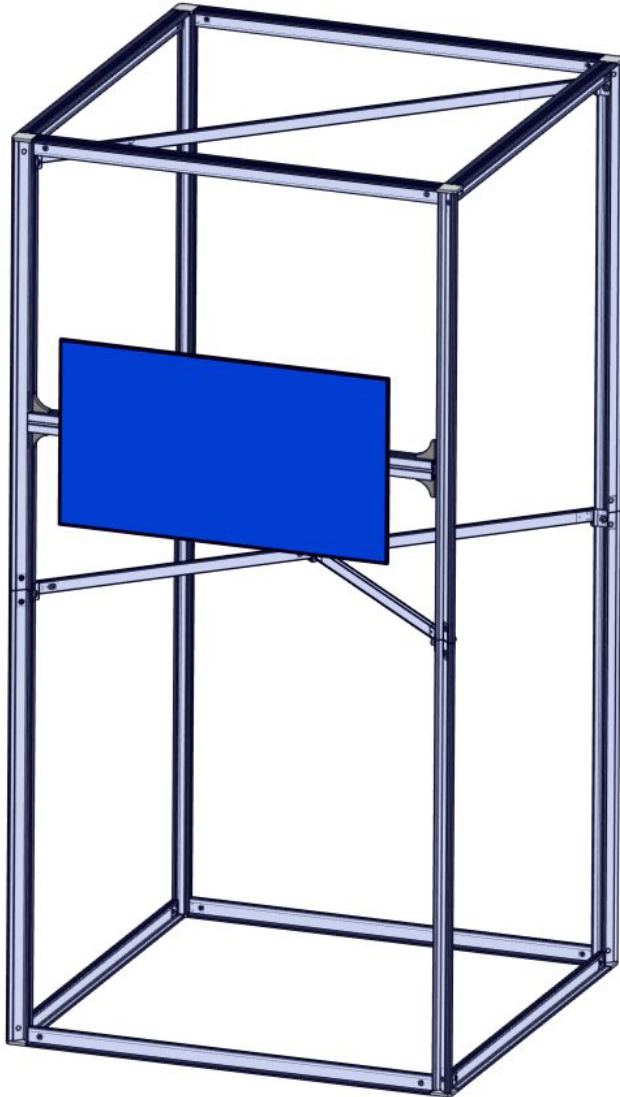


Using the bolt and wing nut you can now attach your monitor mount to the PM2S2.



# Monitor to Tower Assembly

You may now hang your monitor.



Repeat steps on the opposite side to ensure stability.

