

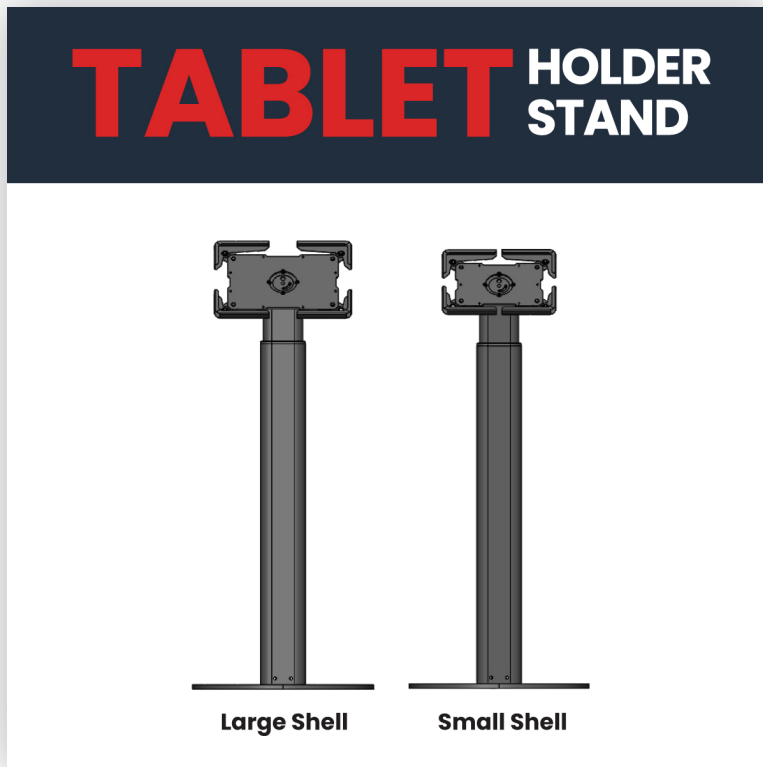
TABLET HOLDER STAND

Have a Question?

Please contact support@tradeshowplus.com
Visit: www.tradeshowplus.com

ITEM: THS-SHELL-S & THS-SHELL-L

The Tablet Holder Stand is a portable stand used to display a 7.5"-13.5" iPad or Android tablet. It is perfect for use in retail environments, tradeshow and events. It can be positioned in either portrait or landscape configuration for versatility. The telescopic pole allows you to adjust the height to suit your needs. Security screws and a specialized Allen key make the unit both durable and theft resistant. Choose from two bracket mounts: Small 7.5" - 10.5" screen sizes, Large: 10.5" - 13.5" screen sizes.



We are continually improving and modifying our product range and reserve the right to vary the specifications without prior notice. All dimensions and weights quoted are approximate and we accept no responsibility for variance. E&OE. See Graphic Templates for graphic bleed specifications.

FEATURES & BENEFITS

- Available in black finish
- Universal tablet stand with telescopic height
- 2 bracket sizes available; small and large
Small: 7.5"-10.5" screen sized displays
Large: 10.5"-13.5" screen sized displays
- Made from steel
- Landscape and Portrait orientation
- One year hardware warranty against manufacturer defects

DIMENSIONS

Small Shell:
Landscape view: 14.17"w x 41.14"h
Portrait view: 14.17"w x 41.73"h

Large Shell:
Landscape view: 14.17"w x 41.14"h
Portrait view: 14.17"w x 41.73"h

SHIPPING

Shipping dimensions - unit ships in 1 box:
40.5"l x 15"w x 6"h

Shipping weight:
21 lbs

ADDITIONAL INFO

*Tablet not included
*Power cord not included

> Tablet must be removed from face plate after use. Storing tablet in the unit during transit is not recommended

> Packaged well in foam protective covering

CHOOSE SHELL SIZE

Have a Question?

Please contact support@tradeshowplus.com
Visit: www.tradeshowplus.com

Use the table below to determine the correct shell size for your tablet.
If your tablet is not listed, refer to the shell size dimensions on page 1.

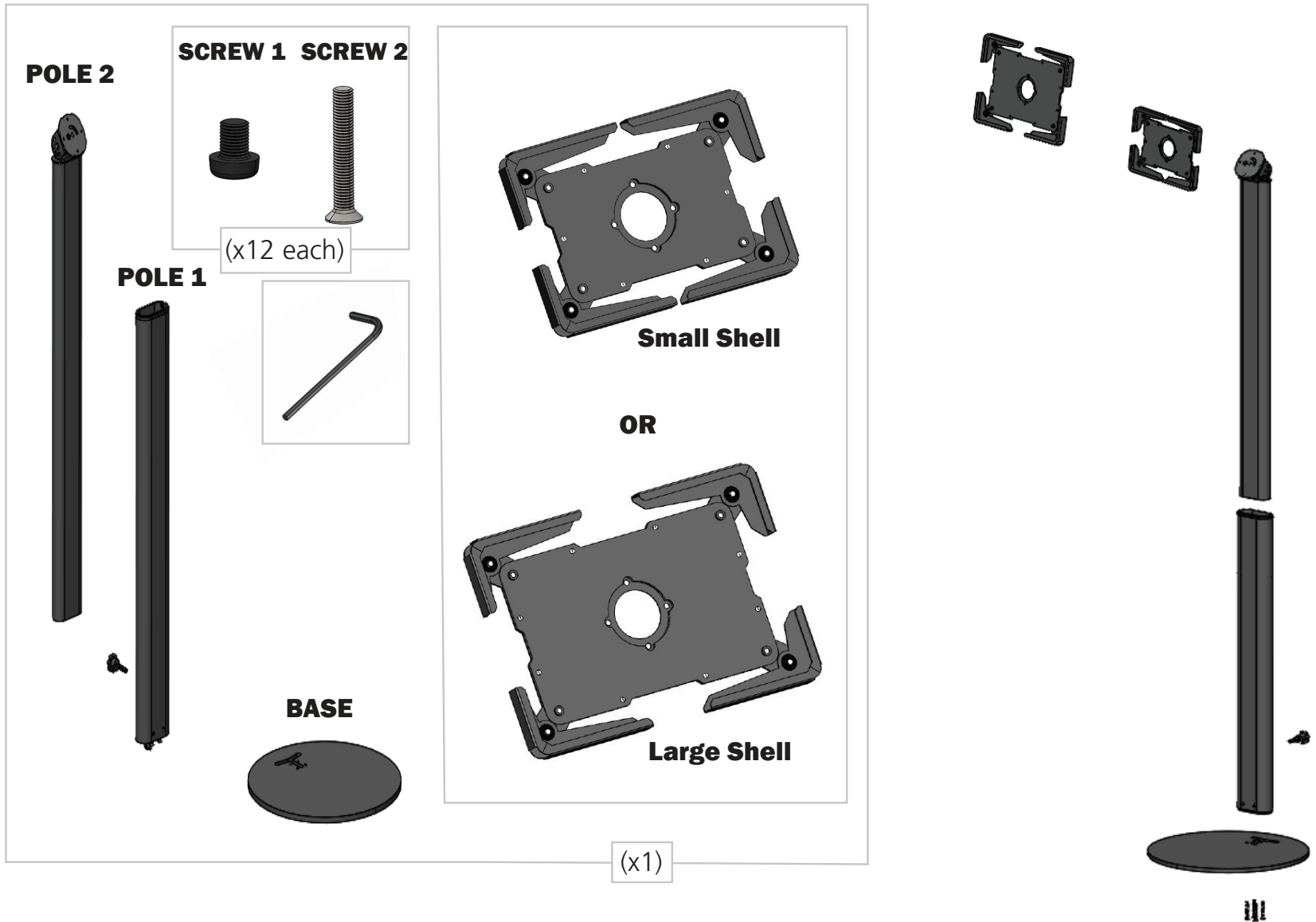
Common Tablets	Height	Width	Depth	Weight	Screen Size	Shell Size
iPad Tablets						
iPad Pro 11 (2018)	9.74"	7.02"	0.23"	1 lb.	11"	Large
iPad Pro 12.9 (2017)	11.04"	8.46"	0.23"	1.4 lb.	12.9"	Large
New iPad (2018)	9.4"	6.6"	0.29"	1 lb.	9.7"	Small
iPad mini 4	8.0"	5.3"	0.24"	.66 lb.	7.9"	Small
iPad Air (2019)	9.87"	6.85"	0.24"	1 lb.	10.5"	Large
iPad Pro 10.5	9.8"	6.8"	0.24"	1 lb.	10.5"	Large
Android Tablets						
Samsung Galaxy Tab S3	9.34"	6.65"	0.24"	1 lb.	9.7"	Small
Samsung Galaxy Tab S4	9.81"	6.47"	0.28"	1 lb.	10.5"	Large
Microsoft Surface Pro	11.5"	7.9"	0.33"	1.73 lb.	12.3"	Large
Asus ZenPad 3S 10	9.47"	6.44"	0.28"	1 lb.	9.7"	Large
Kindle Fire 10	10.3"	6.3"	0.4"	1.1 lb.	10.1"	Large
Google Nexus 9	8.99"	6.05"	0.31"	1 lb.	8.9"	Small



KIT INCLUDES

Have a Question?

Please contact support@tradeshowplus.com
Visit: www.tradeshowplus.com



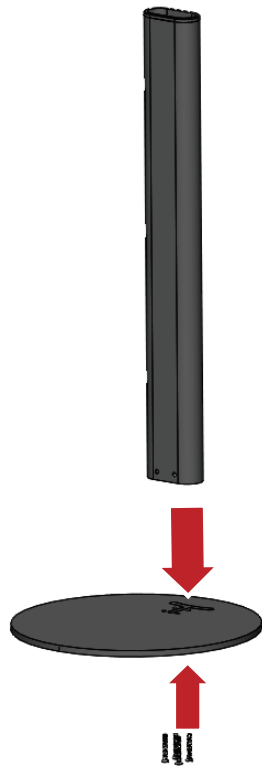
ASSEMBLY

Have a Question?

Please contact support@tradeshowplus.com
Visit: www.tradeshowplus.com

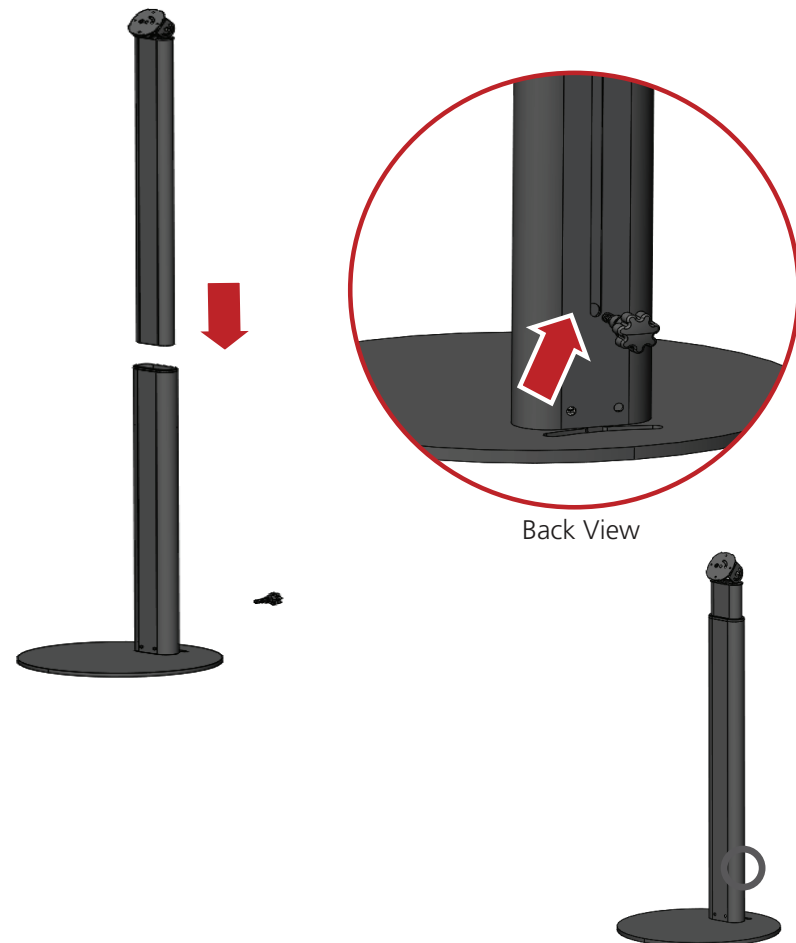
Step 1.

Attach POLE 1 to BASE using four SCREW 2's.
The kit includes eight additional replacements
of SCREW 2.



Step 2.

Slide POLE 2 into POLE 1. Screw hand
toggle into POLE 2 to secure the fit.



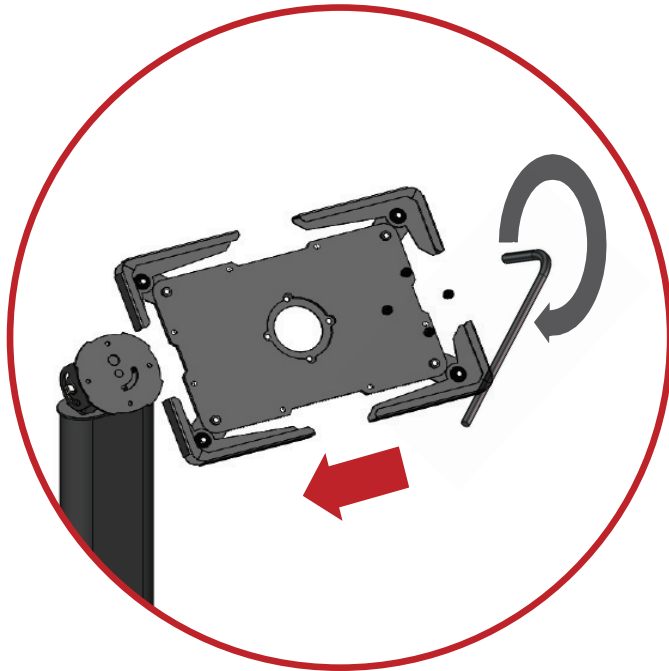
ASSEMBLY

Have a Question?

Please contact support@tradeshowplus.com
Visit: www.tradeshowplus.com

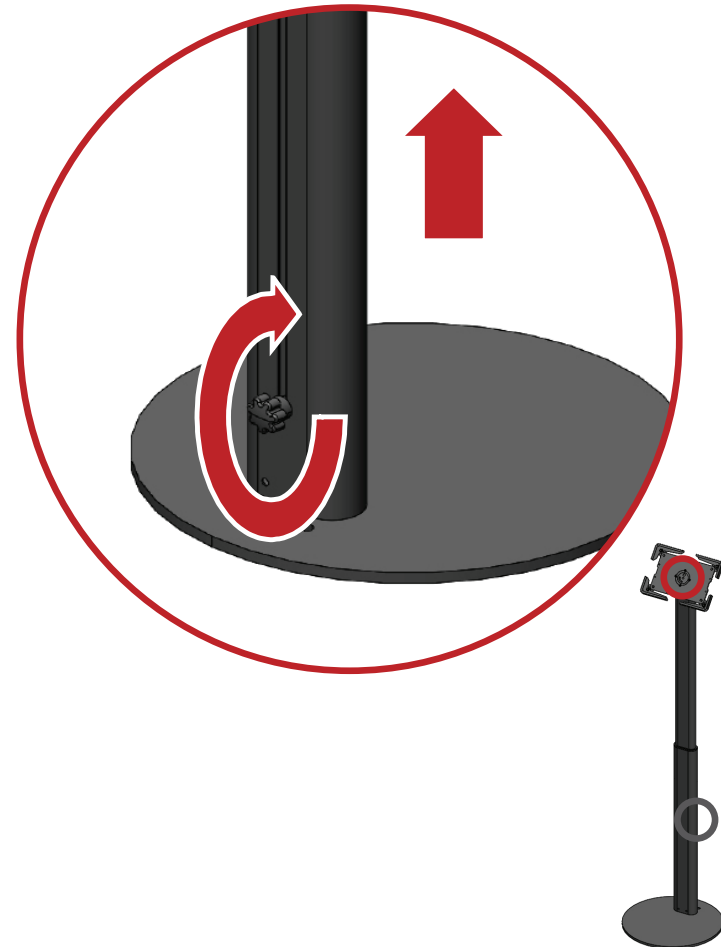
Step 3.

Attach shell to POLE 2 using four SCREW 1's. The kit includes eight additional replacement screws.



Step 4.

Adjust the height of the tablet stand by using the hand toggle on the lower back of the stand.



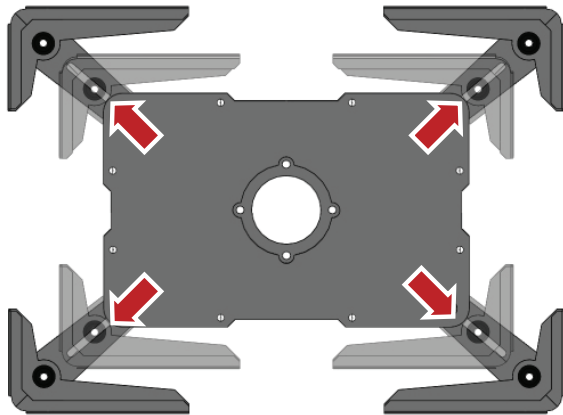
ASSEMBLY

Have a Question?

Please contact support@tradeshowplus.com
Visit: www.tradeshowplus.com

Step 5.

Adjust tablet shell by sliding the grips in the direction indicated by the arrows to fit your tablet. Use the hex key to tighten the fit.



Back View

Step 6.

Using your hand, rotate tablet to desired orientation.

