

Stellar Tabloid Tabletop Banner Stand

The Stellar retractable banner stands are perfect for delivering your message to all tabletop displays without sacrificing valuable table space. The compact design takes up little room but provides a big impact to any promotional design. Both sizes assemble quickly and pack down easily.



features and benefits:

- Retractable tabletop banner stand
- Injection molded plastic
- Ideal for promotional use
- Quick and easy to set-up
- Adhesive top rail
- Standard vinyl (anti-curl) graphic
- 90 day warranty

dimensions:

Hardware

Graphic

Assembled unit:
11.6" w x 17.75" h x 3" d
295mm(w) x 451mm(h) x 75mm(d)

Refer to related graphic template for more information.

Approximate weight:
1 lbs / .5 kgs

Visit:
www.tradeshowplus.com

Shipping

Packing box(es):
1 Box

Shipping dimensions:
13" l x 3" h x 4" d
320mm(l) x 55mm(h) x 85mm(d)

Approximate total shipping weight:
1 lbs / .5 kgs

Shipping dimensions and weight will vary based on order quantity.

additional information:

Graphic material:
Standard vinyl (anti-curl)

Available in 8.5" wide Letter size

We are continually improving and modifying our product range and reserve the right to vary the specifications without prior notice. All dimensions and weights quoted are approximate and we accept no responsibility for variance. E&OE. See Graphic Templates for graphic bleed specifications.

Kit Assembly

Step by Step

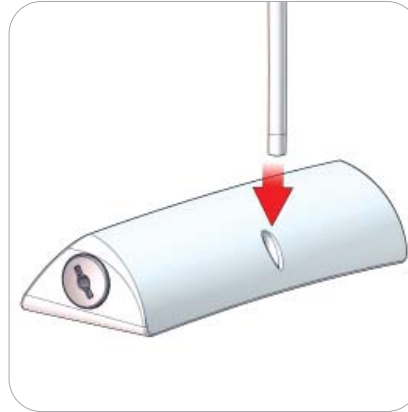
Step 1.

Assemble the banner pole.



Step 2.

Secure the assembled banner pole in base pole pocket.



Step 3.

Gently raise the graphic by the rail. Do not over extend the graphic, the cartridge may lose tension. If you hear the tension spring unwind, simply reference step 11 for re-tensioning.



Step 4.

Gently pull up the rail and attach to top of pole.

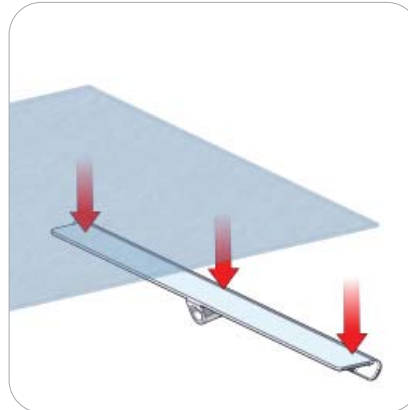


Graphic to Rail Attachment

Step 5.

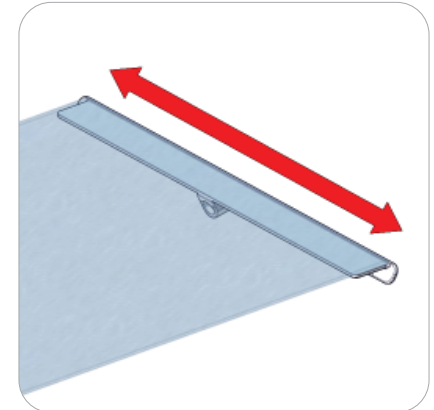
Remove the backing from the adhesive on the rail.

Align graphic to rail.



Step 6.

Apply graphic evenly across the rail.



Kit Assembly

Step by Step Graphic to Base Attachment

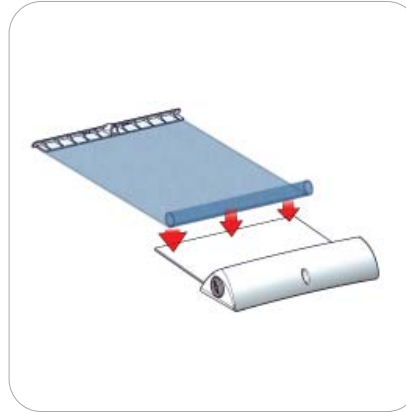
Step 7.

Extend the white leader strip from the base cartridge.



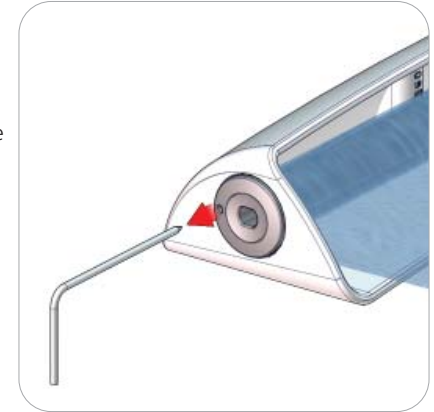
Step 8.

Line the bottom of the graphic print to the adhesive tape on the white leader strip so the image faces onto it. Remove film from adhesive tape. Once aligned, apply pressure to graphic to adhere to tape.



Step 9.

Remove the pin to retract the graphic. Pin shape may vary.



Step 10.

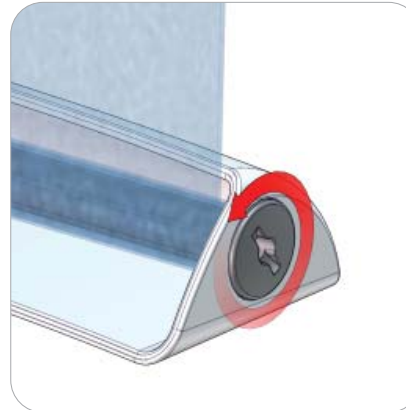
Slowly retract graphic print into the base. Do not over extend it. If you hear the tension spring unwind, simply reference step 11 for re-tensioning.



Tensioning Graphic

Step 11.

To re-tension, do 1 full revolution (12 clicks). Check after each revolution until desired tension is achieved.



Step 12.

Peel the feet pads off the release paper and apply them on the bottom face of the base. Shape and size may vary.

