

Rollup Banner Stand

The Rollup 01 is a single-sided, stylish and sleek retractable banner stand that is convenient and easy to use.



leveling foot



carry bag

features and benefits:

- Comes with base, top rail, bungee pole, leveling feet, slider and grip rail, and carry bag
- Premium grip rail
- Single-sided
- Black finish
- 3 piece bungee cord pole
- Lifetime warranty against manufacturers defects

dimensions:

Hardware

Assembled unit:
850mm: 34.65" w x 84.75" h x 7.08" d
 880mm(w) x 2184mm(h) x 180mm(d)

Base dimensions:
 34.5" (w) x 2.75" (h) x 9" (d) approx.
 875mm(w) x 70mm(h) x 230mm(d)

Graphic

Refer to related graphic template for more information.

Visit:
www.tradeshowplus.com

Shipping

Shipping dimensions:
 38" (l) x 11" (h) x 5" (d)
 965mm (l) x 279mm (h) x 127mm (d)

Approximate total shipping weight (with graphic):
 14 lbs / 7 kgs

Approximate total shipping weight (with no graphic):
 11 lbs / 5 kgs

additional information:

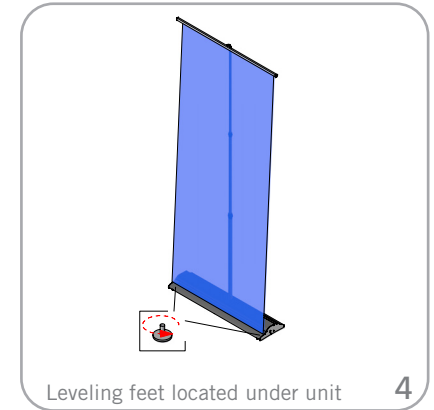
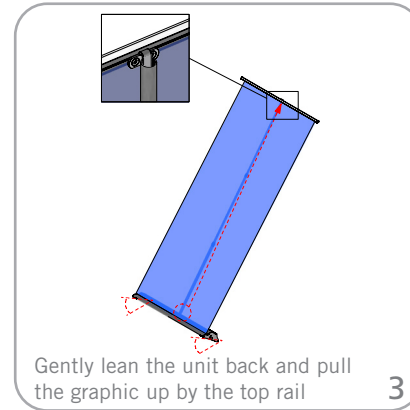
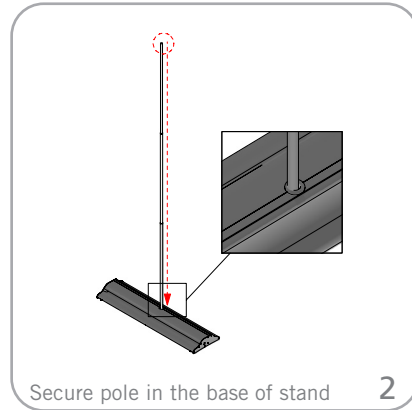
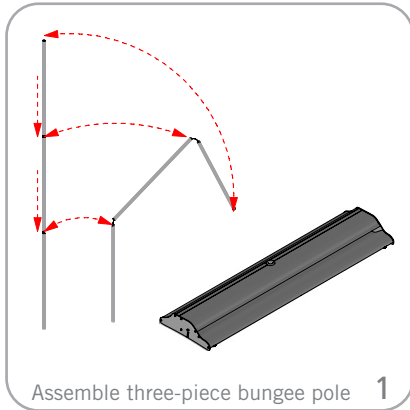
Add lights to any of our banner stands. LED Spot is recommended.

Graphic material:
 11 mil. UV printed supreme melanex premium 100% opaque fabric
 14 oz. solvent printed anti-curl vinyl

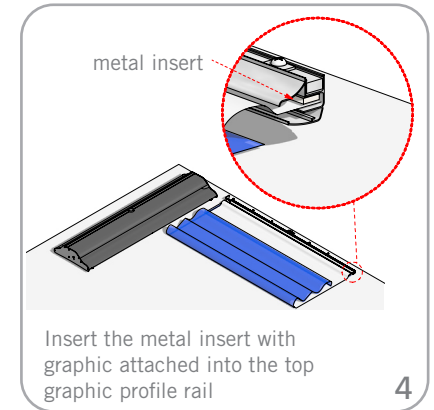
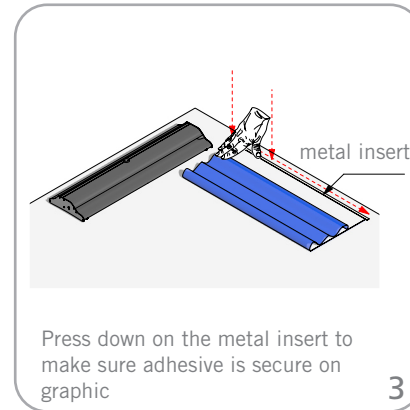
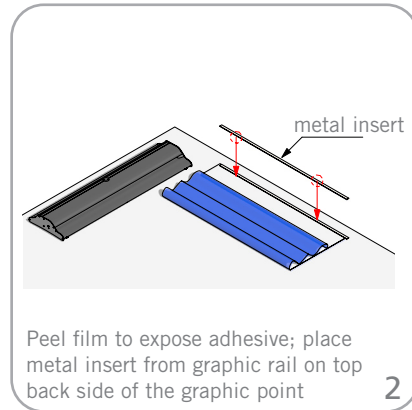
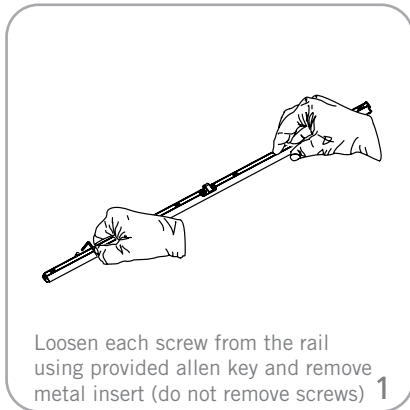
WARNING: Always attach graphic to base and top rail before removing the locking pin. After fitting, the graphic should be left for 24 hours before use to ensure the adhesive bonds sufficiently. Opening the base will invalidate the product warranty.

We are continually improving and modifying our product range and reserve the right to vary the specifications without prior notice. All dimensions and weights quoted are approximate and we accept no responsibility for variance. E&OE. See Graphic Templates for graphic bleed specifications.

Set-up



Graphic to top rail attachment (metal insert)



Graphic to base attachment

