

Quickstand Banner Stand

The Quickstand kit is a ready-made retractable banner display solution. The kit includes 1 Mosquito 800 banner stand, 1 OCB-2 banner stand case and 1 Slimline LED banner stand light. Choose from anodized silver or black base options for a quick and easy display solution.



features and benefits:

- Kit includes: 1 Mosquito 800 banner stand, 1 OCB banner stand case and 1 LED banner stand light
- Standard graphic height = 78.5"
- Lightweight construction
- 3-piece bungee pole
- Anodized silver or black base option
- Twin swivel feet for excellent balance and stability
- Snap top graphic rail
- 90 day limited hardware warranty against manufacturer defects

dimensions:

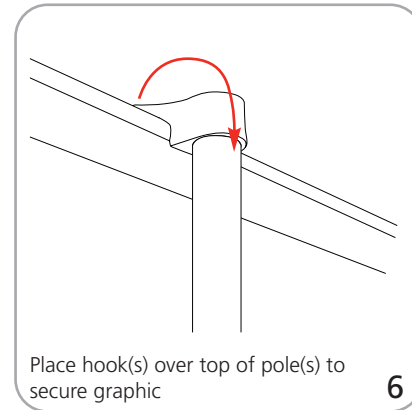
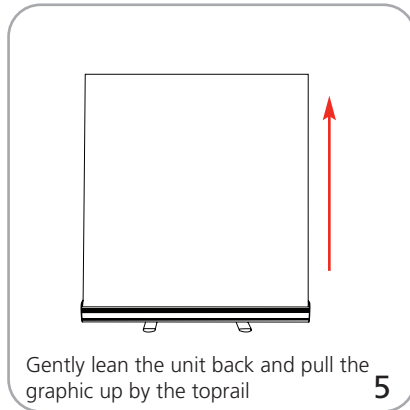
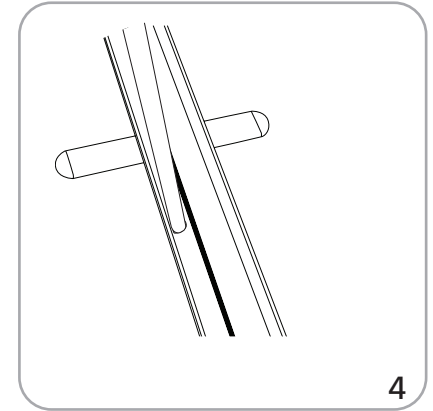
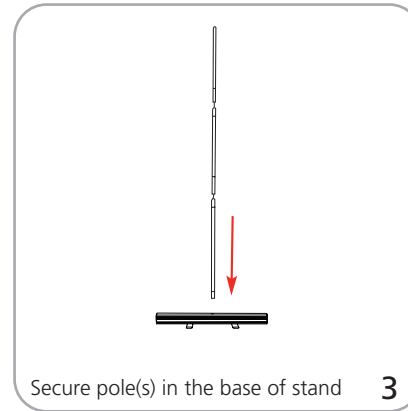
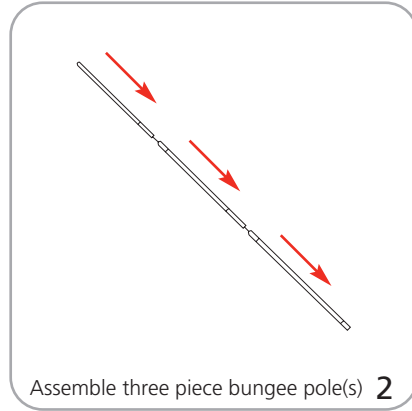
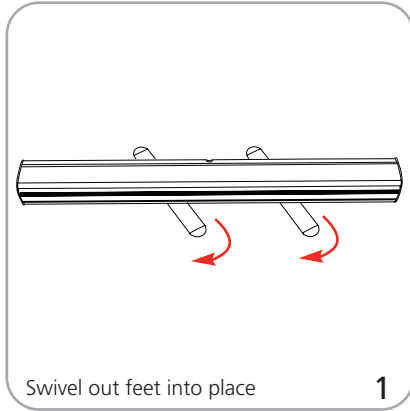
Hardware	Graphic
Assembled unit: 32" w x 11.2" d x 82.87" h 812.8mm(w) x 285mm(d) x 2105mm(h)	Total visual area: 31.5" w x 78.5" h 800mm(w) x 1994mm(h)
Shipping dimensions: 40" l x 18" h x 7" d 1016mm(l) x 457mm(h) x 178mm(d)	Refer to related graphic template for more information Visit www.tradeshowplus.com
Approximate shipping weight: 29 lbs / 13.15 kgs	

additional information:

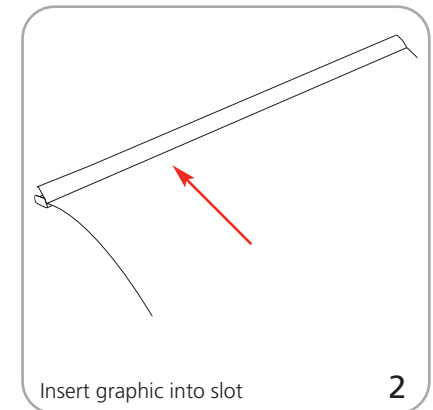
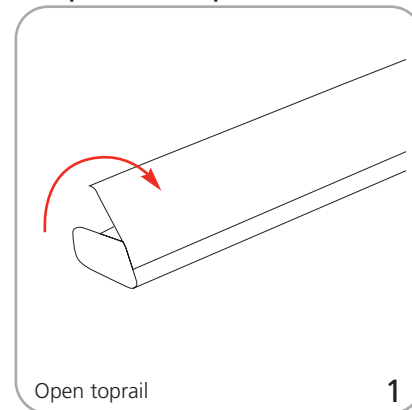
Graphic materials:
 13 oz flatmaxx vinyl or premium 100% opaque fabric

We are continually improving and modifying our product range and reserve the right to vary the specifications without prior notice. All dimensions and weights quoted are approximate and we accept no responsibility for variance. E&OE. See Graphic Templates for graphic bleed specifications.

Mosquito Set-Up



Graphic to toprail attachment



Graphic to base attachment

